

E-SWITCH Pushbutton Switches



RoHS Compliant This page of product is compliant.

E-SWITCH™ SERIES MDP-16 MODULAR PUSHBUTTON SWITCH-INTERCHANGEABLE ACTUATORS

E-Switch introduces the new MDP-16 Series. As part of the MD-16 series, these pushbutton switches are modular in that you use one single base and have multiple actuator options to choose from. The actuator styles for these pushbuttons include a high bezel, a low bezel, flush mount, overhang lens and a full guard. They come in rectangular, square or round.



RoHS Compliant

Features:

- Modular interface design
- Attractive front panel design
- Illuminated options available
- Robust product for industrial applications

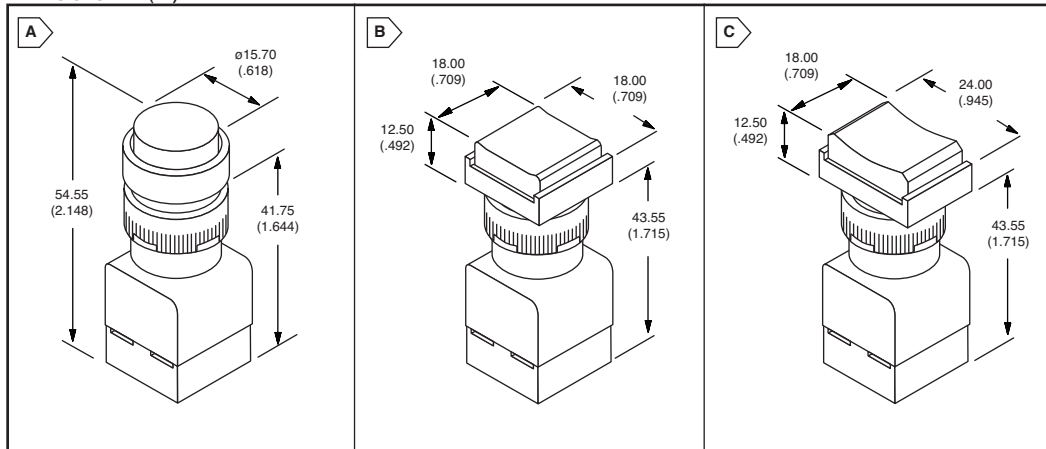
Specifications:

- Mechanical Life: 50,000 cycles
- Force: 500 grams for SPDT; 800 grams for DPDT
- Electrical Life: 6,000 cycles
- Contact Rating: 5A, 250VAC; 8A 125VAC UL and VDE
- Contact Resistance: 100 milliohms (initial max)
- Insulation Resistance: 50Milliohms (Min @100V)
- Dielectric Strength: 2000VDC

Environmental Specifications:

- Operating Temperature: -25C to +55C
- Storage Temperature: -40C to +70C

DIMENSIONS: mm (in.)



For quantities greater than listed, call for quote.

| MOUSER STOCK NO. | E-Switch Part No. | Fig. | Circuit Configuration | Actuator Configuration | Actuator Style | Lamp | Actuator Color | Price Each | | |
|------------------|-------------------|------|-----------------------|------------------------|----------------|-------|----------------|------------|-------|-------|
| | | | | | | | | 1 | 10 | 50 |
| 612-MDP160AR11R | MDP160AR11R | A | Actuator | Round | Low Bezel | 6 VAC | Red | 21.51 | 19.64 | 18.70 |
| 612-MDP160AR19G | MDP160AR19G | A | Actuator | Round | Low Bezel | 6 VDC | Green | 28.34 | 25.87 | 24.64 |
| 612-MDP160AR31R | MDP160AR31R | A | Actuator | Round | Flush Mount | 6 VAC | Red | 29.33 | 26.78 | 25.50 |
| 612-MDP160AR39G | MDP160AR39G | A | Actuator | Round | Flush Mount | 6 VDC | Green | 36.16 | 33.01 | 31.44 |
| 612-MDP160AS11R | MDP160AS11R | B | Actuator | Square | Low Bezel | 6 VAC | Red | 21.51 | 19.64 | 18.70 |
| 612-MDP160AS19G | MDP160AS19G | B | Actuator | Square | Low Bezel | 6 VDC | Green | 28.34 | 25.87 | 24.64 |
| 612-MDP160AS51R | MDP160AS51R | B | Actuator | Square | Full Guard | 6 VAC | Red | 23.64 | 21.59 | 20.56 |
| 612-MDP160AT11R | MDP160AT11R | C | Actuator | Rectangular | Low Bezel | 6 VAC | Red | 21.51 | 19.64 | 18.70 |
| 612-MDP160AT19G | MDP160AT19G | C | Actuator | Rectangular | Low Bezel | 6 VDC | Green | 21.51 | 19.64 | 18.70 |
| 612-MDP16R111R | MDP16R111R | A | SPDT | Round | Low Bezel | 6 VAC | Red | 32.34 | 29.53 | 28.12 |

E-Switch Pushbutton Switches

E-SWITCH™ SERIES RP8100 ROUND, ILLUMINATED PUSHBUTTONS

E-Switch introduces their newest illuminated pushbutton switch, the RP8100! Offered in a sleek, round design, you can get it in a threaded or snap-in panel mount version. There are 5 LED color options for the illumination, or you can get it without illumination. Sealed with an IP65 rating, this switch is great for audio/visual, telecommunications, appliance, instrumentation and consumer electronics markets, to name a few.

Features:

- Threaded or snap in panel mount
- Extended Operating life - 500k cycles
- LED illuminated option
- Sealed to IP65

Materials:

- Housing: Nylon
- Button: Nylon
- Terminal Case: Thermo plastic
- Terminals: Copper Alloy, plated
- Contact: Copper Alloy, plated

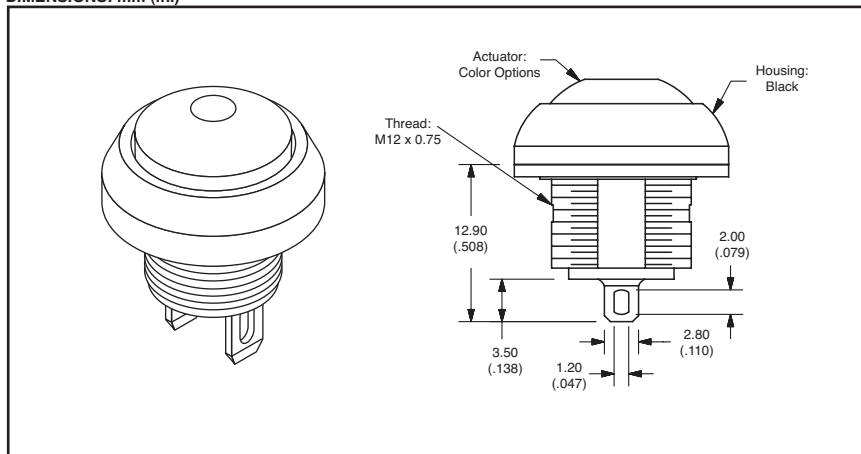
Specifications:

- Contact Rating: 125 mA @ 125 VAC; 100mA @ 50VDC
- Life Expectancy: 500,000 cycles at full load
- Contact Resistance: 50milliohms max (initial)
- Insulation Resistance: 1,000 Megaohms min @ 500VDC
- Dielectric Strength: 1,000 VAC rms.
- Operating Force: 300 gf +/- 100 gf
- Operating Temperature: -30 C to +85 C
- Contact Bounce: 10ms MAX
- Travel: 1.5mm



RoHS Compliant

DIMENSIONS: mm (in.)



For quantities greater than listed, call for quote.

| MOUSER STOCK NO. | E-Switch Part No. | Bushing | Contact Material | Cap Color | LED Color | Price Each | | |
|-------------------|-----------------------|----------|------------------|-----------|-----------------|------------|------|------|
| | | | | | | 1 | 10 | 50 |
| 612-M1CEBLKBLKNIL | RP8100B1M1CEBLKBLKNIL | Snap-in | Gold over Silver | Black | Non-Illuminated | 5.07 | 4.63 | 4.40 |
| 612-M1CEBLKBLKBLU | RP8100B2M1CEBLKBLKBLU | Threaded | Gold over Silver | Black | Blue | 6.21 | 5.67 | 5.40 |
| 612-M1CEBLKBLKGRN | RP8100B2M1CEBLKBLKGRN | Threaded | Gold over Silver | Black | Green | 7.89 | 7.21 | 6.86 |
| 612-M1CEBLKBLKRED | RP8100B2M1CEBLKBLKRED | Threaded | Gold over Silver | Black | Red | 5.93 | 5.42 | 5.16 |
| 612-M1CEBLKBLKWHT | RP8100B2M1CEBLKBLKWHT | Threaded | Gold over Silver | Black | White | 6.21 | 5.67 | 5.40 |
| 612-M1CEBLKBLUNIL | RP8100B2M1CEBLKBLUNIL | Threaded | Gold over Silver | Blue | Non-Illuminated | 6.85 | 6.25 | 5.96 |