

AMPHENOL Smart Card Connectors

Amphenol®

RoHS Compliant This product is RoHS compliant.

Amphenol Smart Card Connectors are designed to make secure contact to all cards designed according to ISO 7816 and thus ensure a reliable data transmission. The communication with the chip card can begin when the card is fully inserted and the data contacts are all connected. At this point an integral card presence switch is activated and signals to the connected circuitry that the card is ready to be read and written to.

VARIO

- Features:**
- Card presence switch
 - Accessories available
 - Landing self-cleaning contacts
 - EMV compliant

For quantities of 100 and up, call for quote.

MOUSER STOCK NO	Amphenol Part No.	Fig.	Description	Price Each			
				1	5	10	25
523-C70210M0085142	C702 10M008 514 2	A	Push-Pull, standard, EMV switch normally open	23.64	23.34	22.48	22.06

PUSHMATIC®

- Features:**
- 300,000 mating cycles
 - Landing, self-cleaning contacts
 - Card presence switch
 - Accessories available

For quantities of 100 and up, call for quote.

MOUSER STOCK NO	Amphenol Part No.	Fig.	Description	Price Each			
				1	5	10	25
523-C70210M0087012	C702 10M008 701 2	B	PUSHMATIC, standard, EMV switch normally open	44.95	41.65	38.79	36.30

HYBRID PUSH-PULL READER

- Features:**
- 3 track magnetic head
 - Dual head chip reader
 - Decoder circuit for each track
 - EMV compliant
 - Card guiding for secure card reading
 - Space saving compact design
 - Landing, self cleaning contacts
 - 500,000 mating cycles for both chip and magnetic stripe
 - Gimballed magnetic head

For quantities of 50 and up, call for quote.

MOUSER STOCK NO	Amphenol Part No.	Fig.	Description	Price Each			
				1	5	10	25
523-C70310M0086095	C703 10M008 609 5	C	Push-Pull Slim, Standard Print, Low Profile, Superflat Magnetic Head; No Card Break	36.95	35.56	32.71	31.87

SUPERFLAT FLEX STYLE

- Features:**
- Contact position meets ISO 7816
 - Panel mount
 - Card presence switch- Normally open
 - Flexprint termination saves board space
 - 300,000 mating cycles
 - EMV Compliant
- Specifications:**
- Color: Ivory
 - Contact Plating: Tin bronze with selective gold
 - Operating Temperature: -25°C to +65°C

For quantities of 50 and up, call for quote.

MOUSER STOCK NO	Amphenol Part No.	Fig.	Description	Price Each			
				1	5	10	25
523-C70210M0080654	C702 10M008 065 4	D	Standard Print, Flex Basis	19.21	17.79	16.58	15.51
523-C70210M0080664	C702 10M008 066 4	E	Standard Print, Snap in with Board Locks, Flex Point	14.44	12.45	11.65	11.65

LOW PROFILE PUSHMATIC® SLIM

- Features:**
- 300,000 mating cycle
 - Card locking in active position
 - Automatic card ejection
 - EMV compliant
 - Card presence and locking switch
 - Tape and Reel
 - Landing, self-cleaning contacts
 - Automatic card ejection after transaction
 - Manual unlocking after power failure

For quantities of 50 and up, call for quote.

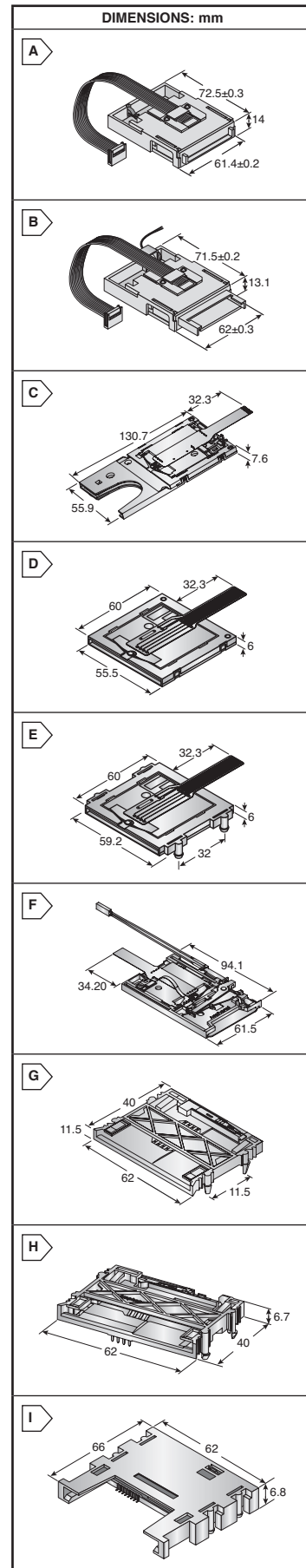
MOUSER STOCK NO	Amphenol Part No.	Fig.	Description	Price Each			
				1	5	10	25
523-C70210M0089014	C702 10M008 901 4	F	Landing Self-Cleaning Contacts; PUSHMATIC	63.11	59.17	55.69	52.59

MONOBLOCK

- Features:**
- Low cost
 - Contact position meets ISO 7810, 7816
 - Boardlocks for mechanical fixation
 - EMV Compliant
 - Minimizes card scratching
 - Self cleaning card presence switch
 - 100,000 mating Cycles

For quantities of 200 and up, call for quote.

MOUSER STOCK NO	Amphenol Part No.	Fig.	Description	Price Each			
				1	25	50	100
523-C70210M00823040	C702 10M008 230 40	G	XXS Card Guide Wiping Contact, Low Profile, PCB, Normally Closed Switch	.94	.78	.67	.63
523-C70210M00823140	C702 10M008 231 40	H	XXS Wiping, Normally Open Switch	.68	.624	.589	.554
523-C70210M00823240	C702 10M008 232 40	G	Card Guide Wiping Contact, 3mm Standoff, PCB, Normally Closed	.68	.624	.589	.554
523-C70210M00823440	C702 10M008 234 40	G	Card Guide Wiping Contact, 5mm Standoff, PCB, Normally Closed	.68	.624	.589	.554
523-C70210M0082304	C702 10M008 230 4	I	Card Guide, 8 Contacts, SMT, Infrared Reflow 230°C	9.88	9.03	8.31	7.70



Memory Card

Amphenol