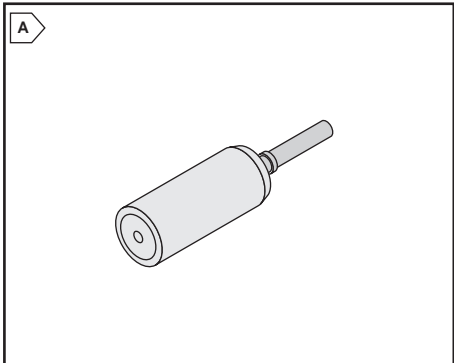


OMRON Proximity Sensors

OMRON E2K-C SERIES: ADJUSTABLE CAPACITIVE SENSORS



Specifications:

- Unshielded type
- Enclosure ratings: UL- 1; NEMA- 1, 4, 12, 13; IEC 144-IP67

Features:

- Adjustable sensing distance
- Mounting bracket included
- Non-contact detection of metallic and non-metallic objects
- Indirect detection of materials inside non-metallic containers

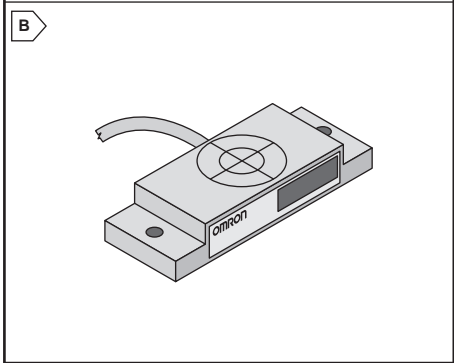


RoHS Compliant

DC Switching Type

MOUSER STOCK NO.	Omron Part No.	Fig.	Supply Voltage	Barrel Size	Sensing Distance (mm)	Output	Price Each		
							1	5	10
653-E2K-C25ME1	E2K-C25ME1	A	10-40 VDC	34mm	3-25	NPN-NO	128.15	125.24	121.02
653-E2K-C25ME2	E2K-C25ME2	A	10-40 VDC	34mm	3-25	NPN-NC	139.78	135.28	131.05

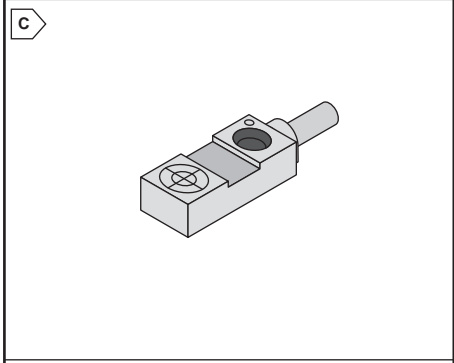
For quantities greater than listed, call for quote.



AC Switching Type

MOUSER STOCK NO.	Omron Part No.	Fig.	Supply Voltage	Barrel Size	Sensing Distance (mm)	Output	Price Each		
							1	5	10
653-E2K-C25MY1	E2K-C25MY1	A	90-250 VAC	34mm	3-25	SCR-NO	192.28	186.77	180.93

For quantities greater than listed, call for quote.



Specifications:

- Unshielded type
- Supply voltage: 10-30 VDC
- Current consumption: 10mA max.
- Differential travel: 15% max. of sensing distance
- Indicators: Target present (red LED)
- Pre-wired with 2 meters of 3-conductor cable (6.56 ft.)

Features:

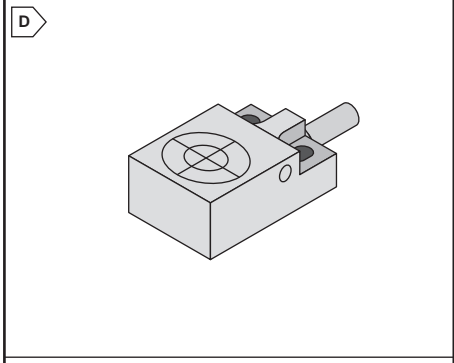
- Fits space-confined installations
- Non-contact detection of metallic and non-metallic targets including water, oil, glass, plastic, and wood
- Detects level inside non-metallic containers
- Thin plastic body ideal for conveyor wall mounting
- Built-in DC amplifier provides NPN switching of loads to 100mA



RoHS Compliant

MOUSER STOCK NO.	Omron Part No.	Fig.	Dimensions L x W x H (mm)	Sensing Distance (mm)	Output	Price Each		
						1	5	10
653-E2K-F10MC1	E2K-F10MC1	B	50 x 20 x 10	10.0	NPN-NO	81.54	72.33	69.21
653-E2K-F10MC2	E2K-F10MC2	B	50 x 20 x 10	10.0	NPN-NC	81.06	73.68	69.18

For quantities greater than listed, call for quote.



OMRON TL-W SERIES: FLAT-PACK INDUCTIVE PROXIMITY SENSORS

Specifications:

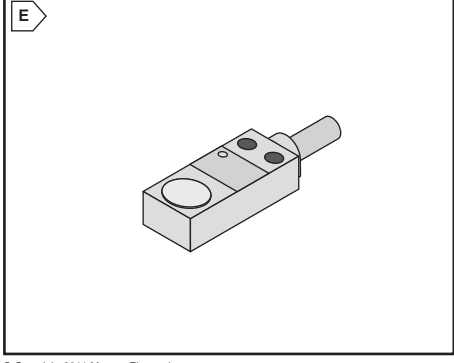
- Unshielded type
- Body material: ABS plastic
- Power Supply Voltage: 12-24VDC
- Pre-wired w/ 3-conductor 2m length of cable

Features:

- Watertight construction conforms to IP67
- Enclosure rating: NEMA - 1, 2, 3, 4X, 6, 12, 13
- Space-saving mounting area ideal for conveyor wall mounting



RoHS Compliant



MOUSER STOCK NO.	Omron Part No.	Fig.	Dimensions L x W x H (mm)	Sensing Distance (mm)	Output	Price Each		
						1	5	10
653-TL-W3MB1	TL-W3MB1	C	27 x 10 x 6	3.0	PNP-NO	63.04	61.53	59.61
653-TL-W3MC1	TL-W3MC1	C	27 x 10 x 6	3.0	NPN-NO	82.65	79.56	77.86
653-TL-W3MC2	TL-W3MC2	C	27 x 10 x 6	3.0	NPN-NC	107.44	97.68	89.53
653-TL-W3MB2	TL-W3MB2	C	27 x 10 x 6	3.0	PNP-NC	84.71	79.79	76.24
653-TL-W5MC1	TL-W5MC1	D	30.5 x 18 x 10	5.0	NPN-NO	47.86	45.67	45.33
653-TL-W5MD2	TL-W5MD2	E	30.5 x 18 x 10	5.0	NPN-NC	94.84	88.60	85.79
653-TL-M2MF1	TL-M2MF1	E	49.2 x 17.5 x 18.7	1.5	PNP-NO	107.44	97.67	89.53
653-TL-W5E1	TL-W5E1	E	50 x 24.9 x 10	5.0	NPN-NO	79.53	77.18	75.63
653-TL-W5F2	TL-W5F2	E	50 x 25 x 10	5.0	PNP-NC	98.92	91.84	85.75
653-TL-W20ME1	TL-W20ME1	D	53 x 40 x 23	20.0	NPN-NO	114.00	103.63	95.00

For quantities greater than listed, call for quote.