

# PHOENIX CONTACT DIN Rail Circuit Breakers



## THERMO MAGNETIC CIRCUIT BREAKERS

### UT 6-TMC M Thermo Magnetic Circuit Breaker - Pushbutton Type

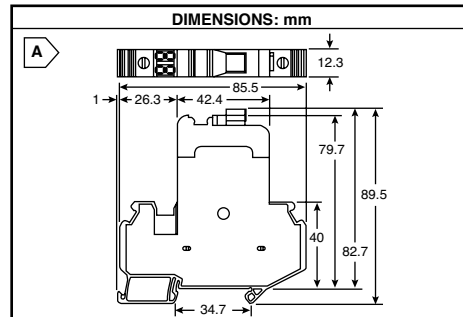
- Features:**
- Resettable
  - Button Switch
  - Space saving, compact design
  - Large labeling area

- Specifications:**
- Housing Width: 12.5mm
  - Single-pole



For quantities of 25 and up, call for quote.

MOUSER STOCK NO.	Fig.	Phoenix Type	Nominal Current	Max Voltage	Operating Temperature	Price Each		
						1	5	10
651-0916603	A	UT 6-TMC M 0.5A	.5A	240VAC/28VDC	-30° to 60°C	16.38	14.69	13.97
651-0916604	A	UT 6-TMC M 1A	1A	240VAC/28VDC	-30° to 60°C	16.38	14.69	13.97
651-0916605	A	UT 6-TMC M 2A	2A	240VAC/28VDC	-30° to 60°C	16.38	14.69	13.97
651-0916606	A	UT 6-TMC M 4A	4A	240VAC/28VDC	-30° to 60°C	16.38	14.69	13.97
651-0916607	A	UT 6-TMC M 5A	5A	240VAC/28VDC	-30° to 60°C	16.38	14.68	13.97
651-0916608	A	UT 6-TMC M 6A	6A	240VAC/28VDC	-30° to 60°C	16.38	14.69	13.97
651-0916609	A	UT 6-TMC M 8A	8A	240VAC/28VDC	-30° to 60°C	14.15	12.97	12.00
651-0916610	A	UT 6-TMC M 10A	10A	240VAC/28VDC	-30° to 60°C	14.15	12.97	12.00
651-0916611	A	UT 6-TMC M 12A	12A	240VAC/28VDC	-30° to 60°C	14.15	12.97	12.00
651-0916612	A	UT 6-TMC M 15A	15A	240VAC/28VDC	-30° to 60°C	14.15	12.97	12.00
651-0916613	A	UT 6-TMC M 16A	16A	240VAC/28VDC	-30° to 60°C	14.15	12.97	12.00



### TMC1 Thermo Magnetic Circuit Breaker - Switch Type

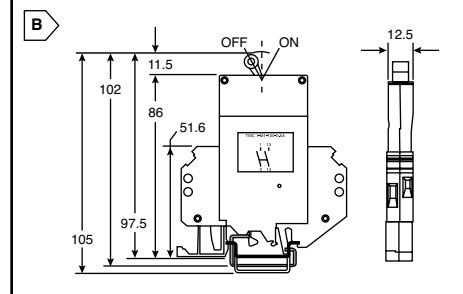
- Features:**
- Direct DIN Rail Mount (Universal Mounting Foot)
  - 1-Position main current path with 1 N/O status contact
  - Screw Clamp Connection

- Specifications:**
- Housing Width: 12.5mm
  - AWG: 24-10
  - Typical Life: 10,000 Operations
  - Color: Black



For quantities of 25 and up, call for quote.

MOUSER STOCK NO.	Fig.	Phoenix Type	Nominal Current	Max Voltage	Operating Temperature	Price Each		
						1	5	10
651-0914400	B	TMC 1 M1 100 0.5A	.5A	250VAC/ 65VDC	-10° to 60°C	68.67	64.32	61.39
651-0914439	B	TMC 1 M1 100 1.0A	1A	250VAC/ 65VDC	-10° to 60°C	68.67	64.32	61.39
651-0914455	B	TMC 1 M1 100 2.0A	2A	250VAC/ 65VDC	-10° to 60°C	68.68	64.33	61.40
651-0914497	B	TMC 1 M1 100 5.0A	5A	250VAC/ 65VDC	-10° to 60°C	68.67	64.32	61.39
651-0914523	B	TMC 1 M1 100 10.0A	10A	250VAC/ 65VDC	-10° to 60°C	68.68	64.33	61.40
651-0915473	B	TMC 1 M1 100 15.0A	15A	250VAC/ 65VDC	-10° to 60°C	65.90	61.72	58.91



### TMC42 Thermo Magnetic Circuit Breaker - Pushbutton Type

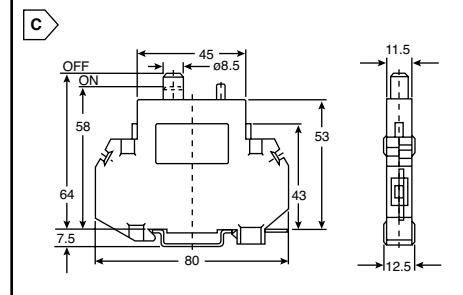
- Features:**
- Direct DIN Rail Mount (Universal Mounting Foot)
  - Screw Clamp Connection

- Specifications:**
- Housing Width: 12.5mm
  - AWG: 24-10
  - Typical Life: 5000 Operations
  - Color: Black



For quantities of 25 and up, call for quote.

MOUSER STOCK NO.	Fig.	Phoenix Type	Nominal Current	Max Voltage	Operating Temperature	Price Each		
						1	5	10
651-5650108	C	TMC 42-01-1.0A	1A	250VAC/ 80VDC	-10° to 60°C	45.63	42.73	40.79
651-5600314	C	TMC 42-01-2.0A	2A	250VAC/ 80VDC	-10° to 60°C	45.62	42.73	40.78
651-5531082	C	TMC 42-01-5.0A	5A	250VAC/ 80VDC	-10° to 60°C	45.62	42.73	40.78
651-5650121	C	TMC 42-01-10A	10A	250VAC/ 80VDC	-10° to 60°C	45.63	42.73	40.79
651-5600310	C	TMC 42-01-15A	15A	250VAC/ 80VDC	-10° to 60°C	45.62	42.73	40.78



## THERMAL MINIATURE CIRCUIT BREAKERS, TCP

### TCP Pushbutton Circuit Breakers

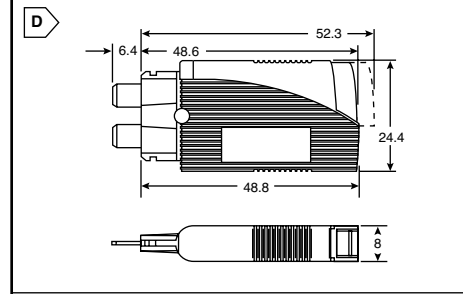
- Features:**
- Can be switched back on after tripping
  - Can be used for switching purposes
  - Plugs into DIN Rail terminal blocks (listed below)
  - Values can be swapped quickly for testing
  - No searching for replacement fuses
  - Pluggable Circuit Breakers

- Specifications:**
- Rated Surge Voltage: 2.5 kV
  - Max Amperage: 0.25-4A Types is 6x Rated Current  
6-10A Types is 8x Rated Current
  - Contamination Class: 2
  - Color: Black



For quantities of 25 and up, call for quote.

MOUSER STOCK NO.	Fig.	Phoenix Type	Nominal Current	Nominal Voltage	Operating Temperature	Price Each		
						1	5	10
651-0712152	D	TCP 0.5	.5A	250VAC/ 65VDC	-20° to 60°C	13.13	12.29	11.74
651-0712194	D	TCP 1	1A	250VAC/ 65VDC	-20° to 60°C	13.13	12.29	11.74
651-0712217	D	TCP 2	2A	250VAC/ 65VDC	-20° to 60°C	13.12	12.28	11.73
651-0712233	D	TCP 3	3A	250VAC/ 65VDC	-20° to 60°C	13.13	12.29	11.74
651-0712259	D	TCP 4	4A	250VAC/ 65VDC	-20° to 60°C	13.13	12.29	11.74
651-0712275	D	TCP 6	6A	250VAC/ 65VDC	-20° to 60°C	13.13	12.29	11.74
651-0712314	D	TCP 10	10A	250VAC/ 65VDC	-20° to 60°C	13.13	12.29	11.74



### TCP Terminal Blocks

- Features:**
- Mounts to standard 35mm DIN Rails
  - Use with TCP push button circuit breakers
  - Can be used with Automotive Type Fuses
  - Bridgeable

- Specifications:**
- Color: Black
  - Max Current: 30A
  - Max Voltage: 300V



For quantities of 25 and up, call for quote.

MOUSER STOCK NO.	Fig.	Phoenix Type	Terminal Width	Connection Type	AWG	Price Each		
						1	5	10
651-3118203	E	UK 6-FSI/C	8.2mm	Screw-Clamp	26-8	7.82	7.50	7.08
651-3036372	F	ST 4-FSI/C	8.2mm	Spring-Cage	24-10	4.84	4.53	4.32
651-1052002	-	ZB 8:Unprinted		White Unprinted Labels (1 strip of 10)		1.13	1.01	.955

