

COTO Reed Relays



SPARTAN SIP RELAY

- Features:**
- High Insulation Resistance: $10^{10}\Omega$
 - High Speed Switching
 - UL File # E67117, CSA File # LR 28537
 - Coaxial Shield for 50Ω Impedance & Switching

- Specifications:**
- Storage Temp: -35°C to +100°C
 - Operating Temp: -20° to +85°C
 - Solder Temp: 270°C max; 10 sec max
 - Vibration: 20G's to 2000Hz; Shock: 50G's



For quantities of 250 and up, call for quote.

MOUSER STOCK NO.	Coto Part No.	Fig.	Circuit	Coil Voltage DC	Switching Current	Carry Current (A)	Price Each			
							1	10	50	100
816-9007-05-00	9007-05-00	A	SPST	5	0.5	1	.98	.94	.89	.82
816-9007-12-00	9007-12-00	A	SPST	12	0.5	1	1.02	.96	.89	.82
816-9081-05-00	9081-05-00	B	SPST	5	0.5	1	2.06	1.90	1.75	1.65
816-9081-12-00	9081-12-00	B	SPST	12	0.5	1	2.06	1.90	1.75	1.65

SURFACE MOUNT REED RELAY

- Features:**
- 50Ω Coaxial Shield for RF and Fast Rise Time Pulse Switching
 - External Magnetic Shield

- Specifications:**
- Storage Temp: -35°C to +100°C
 - Operating Temp: -20° to +85°C
 - Vibration: 20G's to 2000Hz; Shock: 50G's

For quantities of 250 and up, call for quote.

MOUSER STOCK NO.	Coto Part No.	Fig.	Circuit	Coil Voltage DC	Switching Current	Carry Current (A)	Price Each			
							1	10	50	100
816-9201-05-00	9201-05-00	C	SPST	5	0.5	1.5	4.78	4.56	4.13	3.76
816-9202-05-00	9202-05-00	D	SPST	5	0.5	1.5	4.93	4.71	4.26	3.88
816-9202-05-20	9202-05-20	E	SPST	5	0.5	1.5	4.93	4.71	4.26	3.88
816-9290-05-00	9290-05-00	F	SPST	5	0.5	1.5	6.76	5.72	4.78	3.84
816-9402-05-00	9402-05-00	G	SPST	5	0.5	1	4.97	4.73	4.50	4.12
816-9402-05-20	9402-05-20	H	SPST	5	0.5	1	4.97	4.73	4.50	4.12
816-9802-05-00	9802-05-00	I	SPST	5	0.25	0.5	6.49	6.18	5.86	5.38
816-9802-05-20	9802-05-20	J	SPST	5	0.25	0.5	7.13	6.81	6.16	5.61

MAGNETICALLY SHIELDED SURFACE MOUNT REED RELAY

- Features:**
- High Insulation Resistance: $10^{12}\Omega$
 - High Speed Switching
 - Small Surface Mount Package (0.225" x 0.550")
 - 50Ω Coaxial Shield for RF and Fast Rise Time Pulse Switching

- Specifications:**
- Storage Temp: -35°C to +100°C
 - Operating Temp: -20° to +85°C
 - Vibration: 20G's to 2000Hz; Shock: 50G's



For quantities of 250 and up, call for quote.

MOUSER STOCK NO.	Coto Part No.	Fig.	Circuit	Coil Voltage DC	Switching Current	Carry Current (A)	Price Each			
							1	10	50	100
816-9814-03-00	9814-03-00	K	SPST	3.3	0.25	0.5	6.43	6.14	5.55	5.06
816-9814-03-20	9814-03-20	L	SPST	3.3	0.25	0.5	6.43	6.14	5.55	5.06
816-9814-05-00	9814-05-00	K	SPST	5	0.25	0.5	6.43	6.14	5.55	5.06
816-9814-05-20	9814-05-20	L	SPST	5	0.25	0.5	6.43	6.14	5.55	5.06

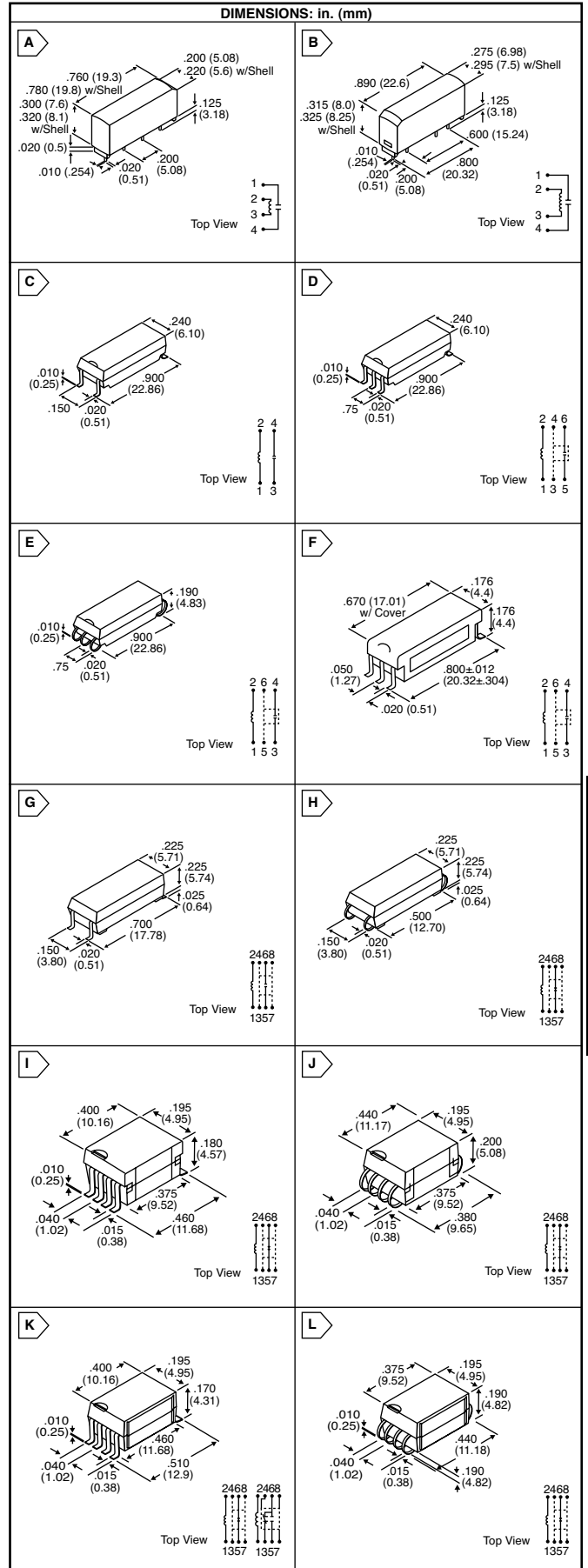
SURFACE MOUNT FORM C REED RELAY

- Features:**
- High Insulation Resistance: $10^{12}\Omega$
 - High Speed Switching
 - Small Surface Mount Package (0.225" x 0.550")
 - 50Ω Coaxial Shield for RF and Fast Rise Time Pulse Switching
 - External Magnetic Shield

- Specifications:**
- Storage Temp: -35°C to +100°C
 - Operating Temp: -20° to +85°C
 - Vibration: 20G's to 2000Hz; Shock: 50G's

For quantities of 250 and up, call for quote.

MOUSER STOCK NO.	Coto Part No.	Fig.	Circuit	Coil Voltage DC	Switching Current	Carry Current (A)	Price Each			
							1	10	50	100
816-9852-05-00	9852-05-00	K	SPDT	5	0.1	0.2	32.41	30.94	27.99	25.49



Coto Technology

Reed Relays