

APM HEXSEAL Environmental Sealing Boots

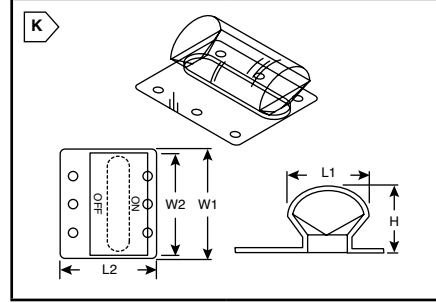
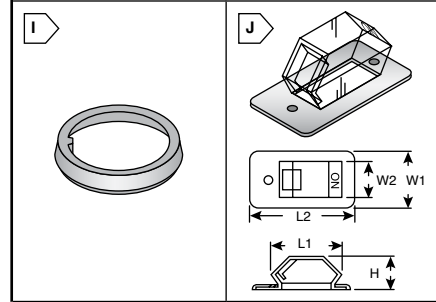
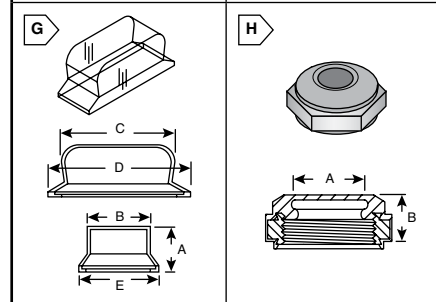
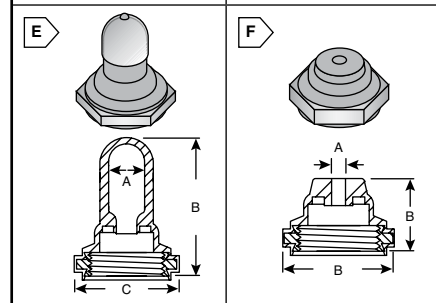
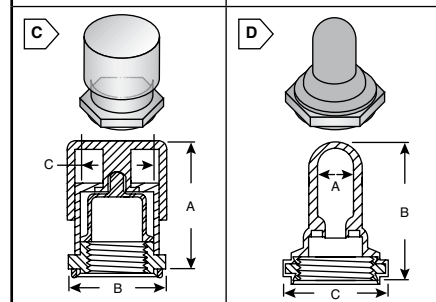
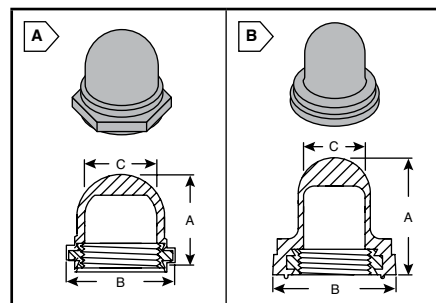


APM HEXSEAL PUSHBUTTON SWITCH BOOTS

- Silicone rubber boot, with molded-in mounting nut
- Completely covers actuator
- Meets MIL-B-5423
- Resistant to sunlight, weather, salt spray, ozone, fungus and most acids and lubricating oils
- RFI suffix are EMI shielded



| MOUSER STOCK NO. | APM Hexseal Part No. | Fig. | Thread Size | Dimensions: in. | | | Plunger Height (in.) | Color | Price Each | | |
|------------------|----------------------|------|---------------|-----------------|-------|-------|----------------------|---------|------------|-------|-------|
| | | | | A | B | C | | | 1 | 25 | 50 |
| 608-N3030 | N3030 | A | 15/32-32NS-2B | 0.547 | 0.625 | 0.422 | 0.281 | Gray | 3.01 | 2.82 | 2.65 |
| 608-N3030-2605 | N3030 2605 | A | 15/32-32NS-2B | 0.547 | 0.625 | 0.422 | 0.281 | Green | 2.92 | 2.74 | 2.57 |
| 608-N3030-2619 | N3030 2619 | A | 15/32-32NS-2B | 0.547 | 0.625 | 0.422 | 0.281 | Yellow | 2.92 | 2.74 | 2.57 |
| 608-N3030-2604 | N3030 2604 | A | 15/32-32NS-2B | 0.547 | 0.625 | 0.422 | 0.281 | Red | 3.45 | 3.30 | 3.25 |
| 608-NC3030 | NC3030 | A | 15/32-32NS-2B | 0.719 | 0.625 | 0.422 | 0.438 | Gray | 3.02 | 2.83 | 2.65 |
| 608-NH3030 | NH3030 | A | 1/2-32NS-2B | 0.547 | 0.625 | 0.422 | 0.281 | Gray | 3.88 | 3.67 | 3.47 |
| 608-N5040 | N5040 | A | 1/4-40NS-2B | 0.313 | 0.375 | 0.188 | 0.141 | Gray | 4.09 | 3.83 | 3.60 |
| 608-N5040G | N5040G | A | 1/4-32NS-2B | 0.313 | 0.375 | 0.188 | 0.203 | Gray | 4.04 | 3.78 | 3.60 |
| 608-N5040R | N5040R | A | 1/4-40NS-2B | 0.313 | 0.375 | 0.188 | 0.203 | Gray | 4.03 | 3.77 | 3.59 |
| 608-1231/8/49 | 1231/8/49 | A | 3/8-27NS-2B | 0.653 | 0.500 | 0.300 | 0.545 | Clear | 2.76 | 2.58 | 2.43 |
| 608-1221/12 | 1221/12 | B | 3/8-27NS-2B | 0.609 | 0.641 | 0.320 | 0.330 | Gray | 2.07 | 1.95 | 1.83 |
| 608-1221/15 | 1221/15 | B | 15/32-32NS-2B | 0.719 | 0.625 | 0.375 | 0.400 | Gray | 2.12 | 1.99 | 1.86 |
| 608-C1221/21/4 | C1221/21/4 | B | 3/8-27NS-2B | 0.609 | 0.641 | 0.320 | 0.330 | Clear | 1.98 | 1.85 | 1.74 |
| 608-C1221/23 | C1221/23 | B | 3/8-32NEF-2B | 0.609 | 0.641 | 0.320 | 0.330 | Clear | 1.98 | 1.85 | 1.74 |
| 608-C1221/25 | C1221/25 | B | 3/8-32NS-2B | 0.609 | 0.500 | 0.320 | 0.545 | Black | 1.98 | 1.85 | 1.74 |
| 608-N3030-RFI | N3030 RFI | A | 15/32-32NS-2B | 0.547 | 0.625 | 0.422 | 0.281 | Gray | 12.24 | 11.27 | 10.87 |
| 608-NH3030-RFI | NH3030 RFI | A | 1/2-32NS-2B | 0.547 | 0.625 | 0.422 | 0.281 | Gray | 14.08 | 13.19 | 12.39 |
| 608-1238/1 | 1238/1 | C | 15/32-32NS-2B | 0.984 | 0.750 | 0.422 | 0.438 | Armored | 14.75 | 13.83 | 12.98 |



APM HEXSEAL TOGGLE SWITCH BOOTS

- Silicone rubber with molded-in hex mounting nut
- Seals both switch and panel cutout
- Meets MIL-B-5423
- Resistant to sunlight, weather, salt spray, ozone, fungus and most acids and lubricating oils
- RFI suffix are EMI shielded



| MOUSER STOCK NO. | APM Hexseal Part No. | Fig. | Thread Size | Dimensions: in. | | | Plunger Ht | Color | Price Each | | |
|--------------------|----------------------|------|---------------|-----------------|-------|-------|------------|-----------------|------------|-------|-------|
| | | | | A | B | C | | | 1 | 25 | 50 |
| 608-N1030 | N1030 | D | 15/32-32NS-2B | 0.219 | 0.844 | 0.625 | 0.660 | Gray | 3.02 | 2.83 | 2.66 |
| 608-N1030-2504 | N1030 2504 | D | 15/32-32NS-2B | 0.219 | 0.844 | 0.625 | 0.660 | Green | 4.10 | 3.84 | 3.61 |
| 608-N1030-2503 | N1030 2503 | D | 15/32-32NS-2B | 0.219 | 0.844 | 0.625 | 0.660 | Yellow | 4.10 | 3.84 | 3.61 |
| 608-N1030-2508 | N1030 2508 | D | 15/32-32NS-2B | 0.219 | 0.844 | 0.625 | 0.660 | Red | 4.10 | 3.84 | 3.61 |
| 608-N1030A | N1030A | E | 15/32-32NS-2B | 0.219 | 0.875 | 0.625 | 0.660 | Stainless-Steel | 6.96 | 6.53 | 6.13 |
| 608-N1030B | N1030B | F | 15/32-32NS-2B | 0.078 | 0.437 | 0.625 | - | Gray | 3.02 | 2.83 | 2.66 |
| 608-N5030 | N5030 | D | 1/4-40NS-2B | 0.104 | 0.422 | 0.375 | 0.310 | Gray | 3.58 | 3.35 | 3.15 |
| 608-N5030L | N5030L | D | 1/4-40NS-2B | 0.062 | 0.500 | 0.375 | 0.370 | Gray | 3.59 | 3.36 | 3.16 |
| 608-N5032B | N5032B | F | 1/4-40NS-2B | 0.047 | 0.250 | 0.375 | - | Gray | 3.14 | 2.94 | 2.76 |
| 608-C1131/28 | C1131/28 | D | 15/32-32NS-2B | 0.219 | 0.937 | 0.625 | 0.710 | Black | 2.91 | 2.73 | 2.56 |
| 608-1131/26 | 1131/26 | D | 15/32-32NS-2B | 0.219 | 1.093 | 0.625 | 0.900 | Gray | 3.01 | 2.82 | 2.65 |
| 608-50154 | 50154 | D | 15/32-32NS-2B | 0.280 | 1.094 | 0.625 | 1.094 | Gray | 3.01 | 2.82 | 2.65 |
| 608-N5030S | N5030S | D | 1/4-40NS-2B | 0.062 | 0.594 | 0.375 | 0.500 | Gray | 3.59 | 3.36 | 3.16 |
| 608-IN1030-RFI | IN1030 RFI | D | 15/32-32NS-2B | 0.219 | 0.844 | 0.625 | 0.660 | Gray | 12.15 | 11.19 | 10.79 |
| 608-IN1030RFI1/232 | IN1030 RFI 1/2-32 | D | 1/2-32NS-2B | 0.219 | 0.844 | 0.625 | 0.660 | Gray | 12.42 | 11.64 | 10.93 |
| 608-N5030L-RFI | N5030L RFI | D | 1/4-40NS-2B | 0.062 | 0.500 | 0.375 | 0.360 | Gray | 13.14 | 12.31 | 11.55 |
| 608-N5030S-RFI | N5030S RFI | D | 1/4-40NS-2B | 0.062 | 0.594 | 0.375 | 0.500 | Gray | 12.42 | 11.64 | 10.93 |

APM HEXSEAL ROCKER SWITCH BOOTS

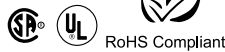
- High tear strength, transparent silicone rubber
- Resistant to sunlight, weather, salt spray, ozone, fungus and most acids and lubricating oils
- Does not compromise switch operability, position status viewing, or legend visibility
- Meets MIL-B-5423



| MOUSER STOCK NO. | APM Hexseal Part No. | Fig. | Dimensions: in. | | | | | Color | Price Each | | |
|------------------|----------------------|------|-----------------|-------|-------|-------|-------|-------|------------|------|------|
| | | | A | B | C | D | E | | 1 | 25 | 50 |
| 608-C1113/66 | C1113/66 | G | 0.228 | 0.348 | 0.531 | 0.750 | 0.531 | Clear | 2.14 | 2.01 | 1.88 |
| 608-C1113/80 | C1113/80 | G | 0.560 | 0.750 | 1.375 | 1.750 | 0.900 | Clear | 2.55 | 2.39 | 2.25 |

APM HEXSEAL ROTARY SHAFT SEALS

- For standard rotary switch/potentiometer shafts
- Seals boot shaft and panel cutout
- RFI suffix are EMI shielded
- Resistant to sunlight, weather, salt spray, ozone, fungus and most acids and lubricating oils
- Meets MIL-B-5423



| MOUSER STOCK NO. | APM Hexseal Part No. | Fig. | Thread Size | Dimensions: in. | | | Color | Price Each | | |
|---------------------|----------------------|------|--------------|-----------------|-------|-------|-------|------------|-------|-------|
| | | | | Shaft Dia. | A | B | | 1 | 25 | 50 |
| 608-N9030-X-1/4 | N9030 X 1/4 | H | 3/8-32NS-2B | .250 | 0.219 | 0.500 | Gray | 2.74 | 2.57 | 2.41 |
| 608-N9040-X-1/8 | N9040 X 1/8 | H | 1/4-32NEF-2B | .125 | 0.219 | 0.375 | Gray | 2.74 | 2.57 | 2.41 |
| 608-N9030-X-1/4-RFI | N9030 X 1/4 RFI | H | 3/8-32NS-2B | .250 | 0.219 | 0.500 | Gray | 10.31 | 9.67 | 9.07 |
| 608-N9040-X-1/8-RFI | N9040 X 1/8 RFI | H | 1/4-32NEF-2B | .125 | 0.219 | 0.375 | Gray | 13.14 | 12.31 | 11.55 |

APM HEXSEAL SEALED-SWITCH PANEL BUSHING SEAL

- Seals panel cutout through which the switch bushing passes
- Meets MIL-B-5423



| MOUSER STOCK NO. | APM Hexseal Part No. | Fig. | Shaft Bushing | Dimensions: in. | | Price Each | | |
|------------------|----------------------|------|---------------|-----------------|-----------|------------|------|------|
| | | | | Washer Dia. | Thickness | 1 | 25 | 50 |
| 608-60064 | 60064 | I | 15/32-32 | .677 | 0.120 | 2.12 | 1.99 | 1.87 |

APM HEXSEAL SEALING BOOTS FOR LEVER-ACTUATED CIRCUIT BREAKERS

- High tear strength, transparent silicone rubber
- Does not compromise breaker operation or position status viewing
- Resistant to sunlight, weather, salt spray, ozone, fungus and most acids and lubricating oils
- Mounting hardware provided
- Meets MIL-B-5423



| MOUSER STOCK NO. | APM Hexseal Part No. | Fig. | Poles | Dimensions: in. | | | | | Carling | Tyco/P&B | Price Each | | |
|------------------------------|----------------------|------|-------|-----------------|-------|-------|-------|-------|---------|-------------|------------|-------|-------|
| | | | | H | L1 | L2 | W1 | W2 | | | 1 | 25 | 50 |
| Front-Panel Mounted | | | | | | | | | | | | | |
| 608-CT1015 | CT1015 | J | 1 | 0.875 | 1.875 | 2.625 | 1.375 | 0.875 | CA1/DA1 | W91 | 14.24 | 13.35 | 12.52 |
| 608-CT1020 | CT1020 | J | 2 | 0.875 | 1.875 | 2.656 | 2.219 | 1.594 | CA2/DA2 | W92 | 16.12 | 15.11 | 14.18 |
| 608-CT1050 | CT1050 | J | 3 | 0.875 | 1.875 | 2.656 | 2.656 | 2.344 | CA3/DA3 | W93 | 17.79 | 16.68 | 15.66 |
| Back-of-Panel Mounted | | | | | | | | | | | | | |
| 608-C1113/40 | C1113/40 | K | 1 | 0.813 | 1.813 | 2.00 | 0.75 | 0.656 | BA1 | W67/W68/W69 | 11.96 | 11.21 | 10.52 |
| 608-C1113/42 | C1113/42 | K | 2 | 0.813 | 1.813 | 2.00 | 1.50 | 1.406 | BA2 | W68/W69 | 13.21 | 12.38 | 11.62 |
| 608-C1113/43 | C1113/43 | K | 3 | 0.813 | 1.813 | 2.00 | 2.25 | 2.156 | BA3 | W69 | 14.87 | 13.95 | 13.09 |