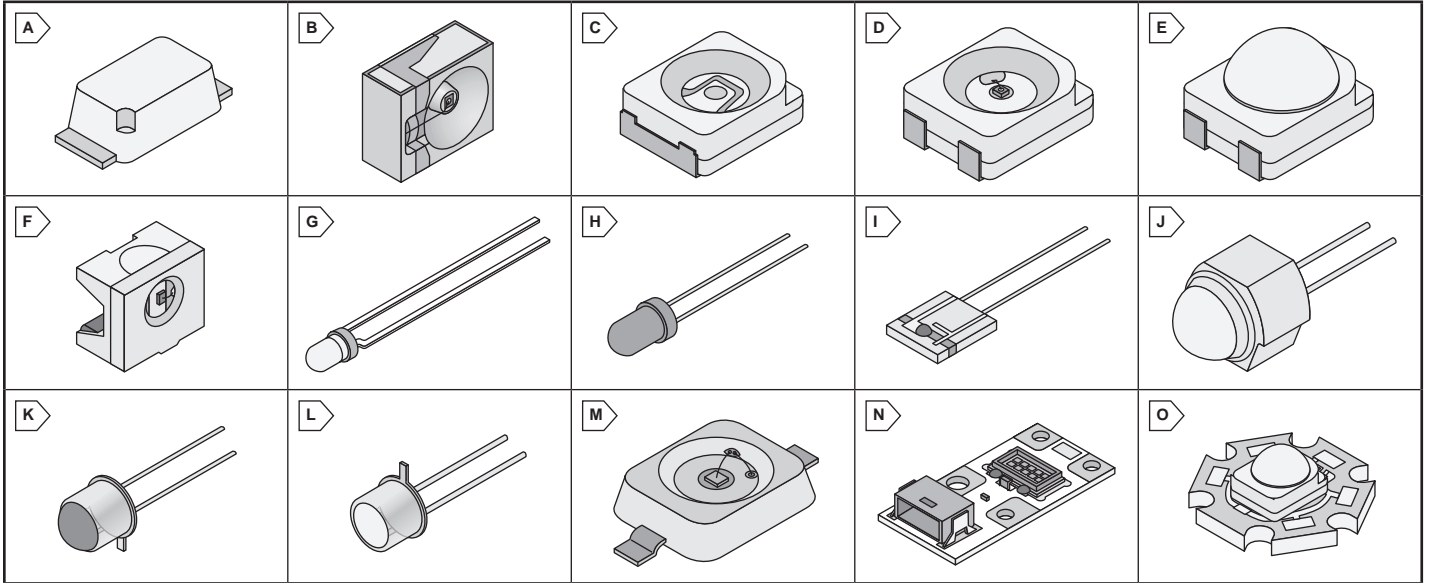


# OSRAM Infrared Emitters

# OSRAM

Opto Semiconductors

RoHS Compliant This page of product is compliant.



For quantities greater than listed, call for quote.

MOUSER STOCK NO.	Osram Part No.	Fig.	Package	Wavelength (nm)	Radiant Intensity	Half Angle	Rise/Fall Time (typ)	Forward Voltage	Forward Current	Price Each			
										1	10	50	100
<b>Surface Mount Infrared Emitter</b>													
720-SFH4050-Z	SFH 4050-Z	A	SmartLED 0603	880	7 (≥ 4) mW/sr	80.0°	12ns	1.5V	100mA	1.08	.63	.59	.57
720-SFH4650-Z	SFH 4650-Z	B	MIDLED	850	40 (≥ 16) mW/sr	20.0°	12ns	1.5V	100mA	1.14	.66	.62	.60
720-SFH4655-Z	SFH 4655-Z	B	MIDLED	850	40 (≥ 16) mW/sr	20.0°	12ns	1.5V	100mA	1.14	.66	.62	.60
720-SFH4680-Z	SFH 4680-Z	B	MIDLED	880	20 (≥ 10) mW/sr	20.0°	500ns	1.5V	100mA	.92	.53	.50	.48
720-SFH4685-Z	SFH 4685-Z	B	MIDLED	880	20 (≥ 10) mW/sr	20.0°	500ns	1.5V	100mA	.92	.53	.50	.48
720-SFH4243-Z	SFH 4243-Z	C	TOPLED PLCC-2	940	11 (≥ 4) mW/sr	60.0°	11ns	1.5V	70mA	.89	.52	.48	.47
720-SFH4253-Z	SFH 4253-Z	C	TOPLED PLCC-2	850	11 (≥ 4) mW/sr	60.0°	10ns	1.5V	70mA	.70	.41	.386	.37
720-SFH4240-Z	SFH 4240-Z	D	TOPLED PLCC-4	940	15 (≥ 10) mW/sr	60.0°	11ns	1.5V	100mA	.95	.55	.52	.50
720-SFH4250-Z	SFH 4250-Z	D	TOPLED PLCC-4	950	5 (≥ 2.5) mW/sr	60.0°	500ns	1.3V	100mA	.95	.55	.52	.50
720-SFH4258-Z	SFH 4258-Z	E	TOPLED PLCC-4	850	90 (≥ 40) mW/sr	15.0°	12ns	1.5V	100mA	1.20	.70	.66	.63
720-SFH4244-Z	SFH 4244-Z	F	SIDELED	940	11 (≥ 4) mW/sr	60.0°	11ns	1.5V	70mA	.89	.52	.48	.47
720-SFH4255-Z	SFH 4255-Z	F	SIDELED	850	15 (≥ 10) mW/sr	60.0°	12ns	1.5V	100mA	1.01	.59	.55	.53
720-SFH4058	SFH 4058	-	1206	850	15 (≥ 6.3) mW/sr	40.0°	10ns	1.6V	70mA	1.01	.59	.55	.53
<b>Through Hole Infrared Emitter</b>													
720-SFH405	SFH 405	-	Miniature Package	950	2.5 (≥ 1.6) mW/sr	16.0°	1000ns	1.25V	40mA	2.16	1.27	1.19	1.15
720-SFH487P	SFH 487 P	-	3mm (T1)	880	≥ 2mW/sr	65.0°	600ns	1.5V	100mA	1.04	.61	.57	.55
720-SFH409	SFH 409	G	3mm (T1)	950	≥ 6.3 mW/sr	20.0°	500ns	1.3V	100mA	.70	.40	.38	.37
720-SFH4350	SFH 4350	G	3mm (T1)	850	70 (≥ 40) mW/sr	13.0°	12ns	1.5V	100mA	.95	.55	.52	.50
720-SFH485P	SFH 485 P	-	5mm (T1 ¼)	880	≥ 3.15 mW/sr	40.0°	600ns	1.5V	100mA	.77	.44	.41	.40
720-SFH4550	SFH 4550	H	5mm (T1 ¼)	850	700 (≥ 400) mW/sr	3.0°	12ns	1.5V	100mA	.95	.55	.52	.50
720-SFH4556	SFH 4556	H	5mm (T1 ¼)	850	130 (≥ 40) mW/sr	20.0°	12ns	1.5V	-	.95	.55	.52	.50
720-SFH484	SFH 484	H	5mm (T1 ¼)	880	≥ 50 mW/sr	8.0°	600ns	1.5V	100mA	.61	.35	.33	.32
720-SFH484-2	SFH 484-2	H	5mm (T1 ¼)	880	≥ 80 mW/sr	8.0°	600ns	1.5V	100mA	.77	.44	.41	.40
720-SFH485	SFH 485	H	5mm (T1 ¼)	880	25 ... 160 mW/sr	20.0°	600ns	1.5V	100mA	.61	.35	.33	.32
720-SFH485-2	SFH 485-2	H	5mm (T1 ¼)	880	25 ... 100 mW/sr	20.0°	600ns	1.5V	100mA	.77	.44	.41	.40
720-SFH486	SFH 486	H	5mm (T1 ¼)	880	70 (≥ 40) mW/sr	11.0°	600ns	1.5V	100mA	.61	.35	.33	.32
720-IRL80A	IRL 80A	I	Sidelooker	950	≥ 0.4 mW/sr	30.0°	500ns	1.2V	20mA	.64	.37	.35	.33
720-IRL81A	IRL 81A	I	Sidelooker	880	2.5 (≥ 1) mW/sr	25.0°	600ns	1.5V	20mA	.80	.46	.43	.42
720-SFH4110	SFH 4110	I	Sidelooker	950	≥ 2.5 mW/sr	9.0°	450ns	1.2V	20mA	.55	.31	.29	.28
720-SFH4585-Z	SFH 4585-Z	J	SMR	880	55 (≥ 25) mW/sr	15.0°	600ns	1.5V	100mA	.78	.45	.429	.408
720-SFH400	SFH 400	K	TO-18 Metal Can	950	≥ 20 mW/sr	6.0°	1000ns	1.3V	100mA	2.22	1.31	1.22	1.18
720-SFH401	SFH 401	K	TO-18 Metal Can	950	≥ 10 mW/sr	15.0°	1000ns	1.3V	100mA	2.32	1.36	1.28	1.23
720-SFH480	SFH 480	K	TO-18 Metal Can	880	≥ 40 mW/sr	6.0°	600ns	1.5V	100mA	2.13	1.25	1.17	1.13
720-SFH4813	SFH 4813	K	TO-18 Metal Can	950	4.5 (≥ 2.5) mW/sr	35.0°	500ns	1.3V	100mA	6.20	3.66	3.43	3.32
720-SFH4860	SFH 4860	K	TO-18 Metal Can	660	1.3 (≥ 0.63) mW/sr	50.0°	100ns	2.0V	50mA	7.60	4.49	4.20	4.06
720-SFH4811	SFH 4811	L	TO-46 Metal Can	950	40 (≥ 25) mW/sr	5.0°	500ns	1.3V	100mA	3.78	2.23	2.09	2.02
720-SFH4881	SFH 4881	L	TO-46 Metal Can	880	72 (≥ 40) mW/sr	5.0°	500ns	1.5V	100mA	3.47	3.22	2.57	2.23
720-SFH4883	SFH 4883	L	TO-46 Metal Can	880	8 (≥ 4) mW/sr	35.0°	500ns	1.5V	100mA	3.47	3.22	2.57	2.23
<b>High Power Infrared Emitter</b>													
720-SFH4235	SFH 4235	M	IR Dragon	850	320 mW/sr	60.0°	7/40ns	3.0V	1000mA	12.66	7.49	7.02	6.78
720-SFH4232-Z	SFH 4232-Z	M	IR Dragon	850	180 mW/sr	60.0°	10ns	1.8V	1000mA	10.89	6.44	6.04	5.84
720-SFH4233	SFH 4233	M	IR Dragon	950	170 mW/sr	60.0°	8/14ns	1.4V	1000mA	8.61	5.09	4.77	4.61
720-SFH4236	SFH 4236	N	IR Dragon	850	≥ 250 mW/sr	20.0°	7/14ns	1.5V	1000mA	13.64	8.01	7.49	7.29
720-SFH4239	SFH 4239	N	IR Dragon	940	≥ 250 mW/sr	20.0°	8/14ns	1.4V	1000mA	13.64	8.01	7.49	7.29
<b>Infrared Emitter with LED</b>													
720-SFH7222-Z	SFH 7222-Z	D	TOPLED PLCC-4	880/565	≥ 4mW/sr	60.0°	500ns	1.5V	100/30mA	1.16	.68	.638	.615
720-SFH7221-Z	SFH 7221-Z	D	TOPLED PLCC-4	880	≥ 4mW/sr	60.0°	500ns	1.5V	15mA	1.16	.68	.638	.615
<b>Ultra High Power Infrared Emitter Ostar</b>													
720-SFH4730	SFH 4730	O	Ostar Observation	850	1000 mW/sr	60.0°	10ns	18.0V	1000mA	68.62	54.89	51.46	49.74
720-SFH4740	SFH 4740	O	Ostar Observation	850	1200 mW/sr	60.0°	10ns	18.0V	1000mA	82.80	66.24	62.10	60.03
720-SFH4750	SFH 4750	P	Ostar Lighting	850	1000 mW/sr	70.0°	10ns	9.5V	1000mA	73.60	58.88	55.20	53.36
720-SFH4751	SFH 4751	P	Ostar Lighting	940	900 mW/sr	70.0°	---	9.8V	1000mA	73.60	58.88	55.20	53.36