

# SHIN CHIN Rocker Switches

RoHS Compliant This product is RoHS compliant.



## ROCKER SWITCHES

### Specifications:

- Contact Resistance: 50mQ max.
- Insulation Resistance: 500VDC 100MΩ min.

### R13-49 Series

- Rating: 10A/125VAC, 6A/250VAC
- Terminal Type: Solder
- Screw Type Mounting



| MOUSER STOCK NO. | Shin Chin Part No. | Fig. | Type | Circuit | Cap Color          | Price Each |      |      |      |
|------------------|--------------------|------|------|---------|--------------------|------------|------|------|------|
|                  |                    |      |      |         |                    | 1          | 50   | 100  | 500  |
| 112-R13-49A-R/B  | R13-49A-05-BR1     | A    | SPST | On-Off  | Red with White Dot | 1.48       | 1.19 | .90  | .79  |
| 112-R13-49B-R/B  | R13-49B-05-BR      | A    | DPDT | On-On   | Red                | 2.03       | 1.69 | 1.54 | 1.40 |

### R13-66 Series

- Snap-in Mounting

#### Waterproof Cover



| Rating: 16A/125VAC; Terminal Type: Solder               |                    |   |      |           |                     | For quantities greater than listed, call for quote. |      |      |      |
|---|--------------------|---|------|-----------|---------------------|---|------|------|------|
| ◆ 112-R13-66A8  | R13-66A8-02-BB     | B | SPST | On-Off    | Black               | 2.54  | 2.31 | 2.10 | 1.91 |
| Rating: 16A/125VAC, 10A/250VAC; Terminal Type: .187" QC |                    |   |      |           |                     | For quantities greater than listed, call for quote. |      |      |      |
| ◆ 112-R13-66A-B   | R13-66A-02-BB2     | C | SPST | On-Off    | Black marked I-O    | 1.05  | .90  | .70  | .63  |
| ◆ 112-R13-66B-G   | R13-66B-02-BGG-N1  | C | SPST | On-Off    | Illum. Green/Neon   | 1.35  | 1.17 | 1.07 | .97  |
| ◆ 112-R13-66B-R   | R13-66B-02-BRR-N1  | C | SPST | On-Off    | Illum. Red/Neon     | 1.35  | 1.17 | 1.07 | .97  |
| ◆ 112-R13-66D   | R13-66D-02-BB6     | C | SPDT | On-Off-On | Black marked I-O-II | 1.43  | 1.19 | 1.08 | .98  |
| ◆ 112-R13-66L-R   | R13-66L-02-BBRR-L1 | C | SPST | On-Off    | Illum. Red/LED      | 1.32  | 1.16 | 1.05 | .96  |

### R13-73 Series

- Rating: 10A/125VAC, 6A/250VAC
- Snap-in Mounting
- Terminal Type: .187" QC



|                  |                |   |      |        |                  |      |      |      |      |
|------------------|----------------|---|------|--------|------------------|------|------|------|------|
| ◆ 112-R13-73A2-B | R13-73A2-02-BB | D | DPST | On-Off | Black marked I-O | 1.84 | 1.66 | 1.49 | 1.34 |
|------------------|----------------|---|------|--------|------------------|------|------|------|------|

### R13-112 Series

- Terminal Type: .187" QC
- Snap-In Mounting

#### Waterproof Cover



| Rating: 10A/250VAC   |                      |   |      |        |                  | For quantities greater than listed, call for quote. |      |      |      |
|----------------------|----------------------|---|------|--------|------------------|---|------|------|------|
| ◆ 112-R13-112B8W-BRR | R13-112B8W-02-BRR-N2 | E | SPST | On-Off | Illum. Red/Neon  | 3.27  | 2.98 | 2.71 | 2.46 |
| Rating: 16A/125VAC   |                      |   |      |        |                  | For quantities greater than listed, call for quote. |      |      |      |
| ◆ 112-R13-112A8      | R13-112A8-02-BB      | E | SPST | On-Off | Black            | 2.56  | 2.33 | 2.11 | 1.92 |
| Rating: 20A/12VDC    |                      |   |      |        |                  | For quantities greater than listed, call for quote. |      |      |      |
| ◆ 112-R13-112B8W-BUU | R13-112B8W-02-BUU-L1 | E | SPST | On-Off | Illum. Blue/Neon | 3.74  | 3.40 | 3.09 | 2.81 |
| ◆ 112-R13-112AH-W1   | R13-112AH-W1-02-UB   | F | SPST | On-Off | Illum. Blue/Neon | 4.02  | 3.65 | 3.32 | 3.02 |

### R13-130 Series

- Rating: 10A/125VAC, 6A/250VAC
- Terminal Type: Solder
- Screw Type Mounting



| For quantities greater than listed, call for quote. |                 |   |      |        |                  |      |      |      |      |
|---|-----------------|---|------|--------|------------------|------|------|------|------|
| ◆ 112-R13-130A                                      | 112-130A-05-BB2 | G | SPST | On-Off | Black marked I-O | 1.83 | 1.52 | 1.39 | 1.26 |
| ◆ 112-R13-130B                                      | 112-130B-05-BB  | G | DPDT | On-On  | Black            | 2.21 | 2.01 | 1.83 | 1.66 |
| ◆ 112-R13-130C                                      | 112-130C-05-BB  | G | SPDT | On-On  | Black            | 2.10 | 1.75 | 1.60 | 1.45 |

### R13-136 Series

- Rating: 10A/125VAC, 6A/250VAC
- Terminal Type: Solder
- Screw Type Mounting



| For quantities greater than listed, call for quote. |                 |   |      |        |                  |      |      |      |      |
|---|-----------------|---|------|--------|------------------|------|------|------|------|
| ◆ 112-R13-136A-B                                    | R13-136A-05-BB2 | H | SPST | On-Off | Black marked I-O | 1.84 | 1.66 | 1.49 | 1.37 |
| ◆ 112-R13-136A-R                                    | R13-136A-05-BR2 | H | SPST | On-Off | Red marked I-O   | 1.84 | 1.66 | 1.49 | 1.37 |

### R13-213 Series

- Rating: 6A/125VAC, 3A/250VAC
- Terminal Type: .110" QC
- Screw Type Mounting



| For quantities greater than listed, call for quote. |                |   |      |        |       |      |      |      |      |
|---|----------------|---|------|--------|-------|------|------|------|------|
| ◆ 112-R13-213A-B                                    | R13-213A-03-BB | I | SPST | On-Off | Black | 2.48 | 2.23 | 2.01 | 1.81 |

### R13-226 Series

- Terminal Type: .250" QC
- Snap-in Mounting



| Rating: 6A/250VAC |                    |   |      |        |                 | For quantities greater than listed, call for quote. |      |      |      |
|-------------------|--------------------|---|------|--------|-----------------|---|------|------|------|
| ◆ 112-R13-226B-N2 | R13-226B-01-WRR-N2 | J | SPST | On-Off | Illum. Red/Neon | 2.18  | 1.98 | 1.80 | 1.64 |

### R13-228 Series

- Rating: 10A/125VAC, 6A/250VAC
- Terminal Type: Solder
- Screw Type Mounting



| For quantities greater than listed, call for quote. |                 |   |      |        |                  |      |      |      |      |
|---|-----------------|---|------|--------|------------------|------|------|------|------|
| ◆ 112-R13-228A                                      | R13-228A-05-BB2 | K | SPST | On-Off | Black marked I-O | 2.48 | 2.23 | 2.01 | 1.81 |

### R13-239 Series

- Terminal Type: .187" QC
- Snap-in Mounting



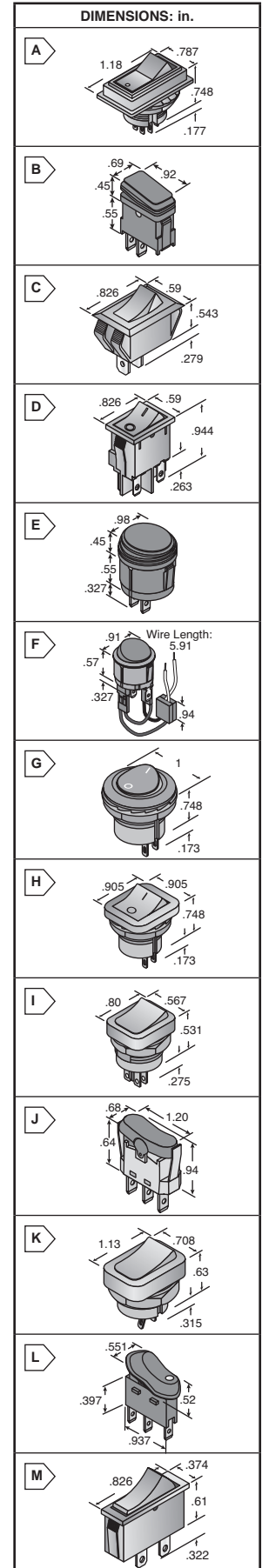
| Rating: 10A/125VAC |                    |   |      |        |                     | For quantities greater than listed, call for quote. |      |      |      |
|--------------------|--------------------|---|------|--------|---------------------|---|------|------|------|
| ◆ 112-R13-239B-N1  | R13-239B-02-BBR-N1 | L | SPST | On-Off | Illum. Red Dot/Neon | 1.64  | 1.49 | 1.35 | 1.23 |

### R13-243 Series

- Rating: 8A/125VAC, 4A/250VAC
- Terminal Type: .187" QC
- Snap-In Mounting



| For quantities greater than listed, call for quote. |                |   |      |          |       |      |      |      |      |
|---|----------------|---|------|----------|-------|------|------|------|------|
| ◆ 112-R13-243A                                      | R13-243A-02-BB | M | SPST | On-Off   | Black | 1.48 | 1.33 | 1.20 | 1.08 |
| ◆ 112-R13-243F                                      | R13-243F-02-BB | M | SPST | (On)-Off | Black | 2.20 | 1.98 | 1.78 | 1.60 |



Shin Chin Rocker Switches