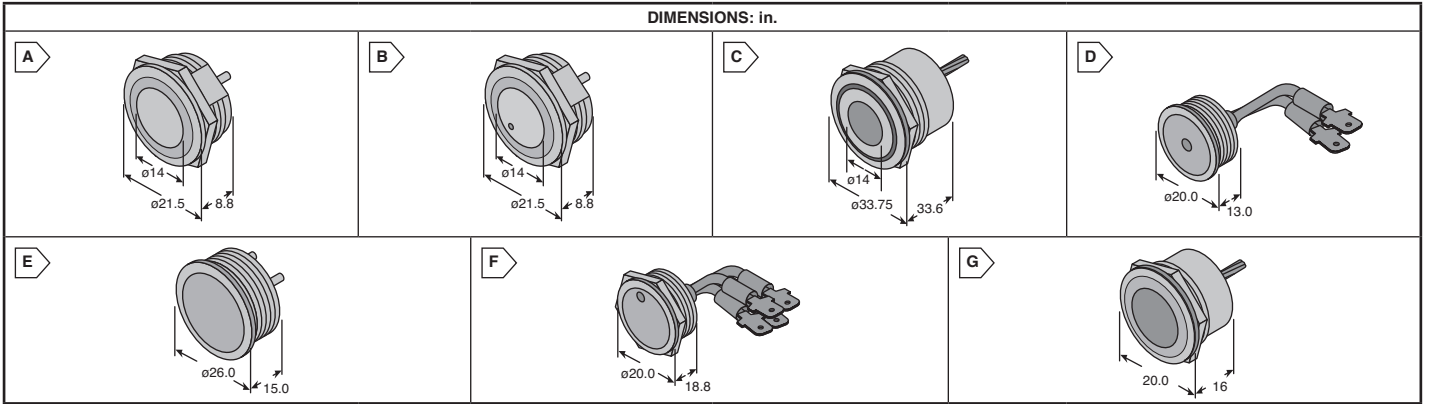


SCHURTER Vandal-Proof Switches



ELECTRONIC COMPONENTS

DIMENSIONS: in.



SCHURTER VANDAL-PROOF MECHANICAL SWITCHES

Specifications:

- Contact material: Silver
- Max switching voltage: 48VDC
- Max switching current: 125mA
- Lifetime: 1,000,000 cycles
- Switching function: N.O.
- Actuation force: 3.7 N
- LED forward voltage: Red - 1.6V; green - 2.0V; yellow - 2.0V
- LED forward current: All colors = 20 mA
- All switches supplied with nut and o-ring seal

For quantities of 100 and up, call for quote.

MOUSER STOCK NO.	Schurter Part No.	Fig.	Illumination	Mounting Diameter	Housing Material	Actuator Material	Terminals	Price Each			
								1	10	25	50
693-1241.2800	1241.2800	A	N/A	19 mm	Zinc diecast	Zinc diecast	Pins	9.17	8.34	7.64	7.05
693-1241.2855	1241.2855	B	Spot Red	19 mm	Zinc diecast	Stainless steel	Pins w/ solder aid	16.33	14.52	13.06	12.33
693-1241.2856	1241.2856	B	Spot Green	19 mm	Zinc diecast	Stainless steel	Pins w/ solder aid	13.20	12.30	11.34	10.37
693-1241.2857	1241.2857	B	Spot Yellow	19 mm	Zinc diecast	Stainless steel	Pins w/ solder aid	18.36	16.33	14.69	13.86
693-1241.2858	1241.2858	B	Spot Red/Green	19 mm	Zinc diecast	Stainless steel	Pins w/ solder aid	18.80	16.70	15.03	14.20
693-1241.2859	1241.2859	B	Spot Blue	19 mm	Zinc diecast	Stainless steel	Pins w/ solder aid	14.32	13.35	12.30	11.25
693-1241.6400	1241.6400	C	Ring Red	30 mm	Aluminum	Zinc diecast	Wire	80.92	71.93	64.73	61.14
693-1241.6401	1241.6401	C	Ring Green	30 mm	Aluminum	Zinc diecast	Wire	80.92	71.93	64.73	61.14
693-1241.6402	1241.6402	C	Ring Yellow	30 mm	Aluminum	Zinc diecast	Wire	77.07	68.51	61.66	58.24
693-1241.6403	1241.6403	C	Ring Red/Green	30 mm	Aluminum	Zinc diecast	Wire	82.68	73.49	66.15	62.48

SCHURTER VANDAL-PROOF INDICATORS

Specifications:

- Supplied with nut and o-ring seal
- Indicator only

For quantities of 100 and up, call for quote.

MOUSER STOCK NO.	Schurter Part No.	Fig.	Illumination	Mounting Diameter	Housing Color	Housing Material	Terminals	Price Each			
								1	10	25	50
693-1241.3034.M	1241.3034.M	D	Spot Green	16 mm	Aluminum natural	Anodized Aluminum	Faston	29.89	27.27	25.90	22.20
693-1241.3035	1241.3035	D	Spot Yellow	16 mm	Aluminum natural	Anodized Aluminum	Faston	20.00	17.78	16.00	15.12
693-1241.3036	1241.3036	D	Spot Red	16 mm	Red	Anodized Aluminum	Faston	20.00	17.78	16.00	15.12

SCHURTER VANDAL-PROOF PIEZO SWITCHES

Specifications:

- Max switching voltage: 42 VAC
- Max switching current: 100 mA
- Capacity: 30 pF
- Switching function: N.O.
- Lifetime: 20,000,000 cycles
- Min. actuating force: 1.5N
- All switches supplied with nut and o-ring seal

For quantities of 100 and up, call for quote.

MOUSER STOCK NO.	Schurter Part No.	Fig.	Illumination	Mounting Diameter	Housing Color	Housing Material	Terminals	Price Each			
								1	10	25	50
693-1241.3008	1241.3008	E	N/A	22 mm	Aluminum natural	Anodized Aluminum	Pins	38.82	35.83	33.29	31.38
693-1241.3005	1241.3005	E	N/A	22 mm	Red	Anodized Aluminum	Pins	45.88	42.06	38.23	36.05
693-1241.3006	1241.3006	E	N/A	22 mm	Green	Anodized Aluminum	Pins	45.88	42.06	38.23	36.05
693-1241.3020.M	1241.3020.M	F	Spot Red	22 mm	Aluminum natural	Anodized Aluminum	Faston	58.32	51.84	46.64	44.05
693-1241.3244.M	1241.3244.M	F	Spot Blue	22 mm	Aluminum natural	Anodized Aluminum	Faston	65.47	60.91	58.09	53.75

SCHURTER VANDAL-PROOF CAPACITIVE SWITCHES

Specifications:

- Max switching voltage: 7-24 VDC
- Max switching current: 175 mA
- All switches supplied with nut and o-ring seal
- Lifetime: 1,000,000 cycles
- Input current (irrespective of LEDs): 5V - 2mA not in action/3mA in action; 12V - 2mA not in action/ 6mA in action; 24V - 4mA not in action/ 8mA in action

Features:

- Pressure-free operation of input systems due to no actuation force
- IP67 degree of protection

For quantities of 100 and up, call for quote.

MOUSER STOCK NO.	Schurter Part No.	Fig.	Illumination	Mounting Diameter	Switching Type	Housing Material	Terminals	Price Each			
								1	10	25	50
693-1243.1218.1.1	1243.1218.1.1	G	Red	16 mm	Latching	Aluminum	210 mm wire	92.09	81.86	73.67	69.58
693-1243.1318.1.1	1243.1318.1.1	G	Red	16 mm	Momentary	Aluminum	210 mm wire	92.09	81.86	73.67	69.58
693-1243.1118.1.1	1243.1118.1.1	G	Red	16 mm	Impulse	Aluminum	210 mm wire	92.09	81.86	73.67	69.58
693-1243.1118.2.1	1243.1118.2.1	G	Green	16 mm	Impulse	Aluminum	210 mm wire	92.09	81.86	73.67	69.58