

# MOUNTAIN SWITCH Tactile Switches



## TA, TH, TF, IG, & L6 SERIES TACTILE SWITCHES

This product is RoHS compliant.

### Specifications:

- Rating: 50mA/50VDC (TA & TH Series) • Contact Resistance: 100mΩ Max
- Rating: 50mA/12VDC (TF, IG, & L6 Series)

For quantities greater than listed, call for quote.

MOUSER STOCK NO.	Fig.	Dimensions: mm			Operating Force (gf)	Price Each			
		L	W	H		1	50	100	500
<b>TA Series Tactile Switches</b>									
101-TA81-EV	A	8.0	7.5	13.3	130	.48	.442	.397	.375
101-TA82-EV	A	8.0	7.5	13.3	300	.48	.44	.396	.374
<b>TH Series Tactile Switches</b>									
101-TH71-EV	B	7.4	7.4	8.9	130	.44	.40	.36	.34
101-TH72-EV	B	7.4	7.4	8.9	300	.48	.44	.396	.374
<b>TF Series Tactile Switches</b>									
101-TF25N-EV	C	7.3	3.8	2.5	200	.53	.48	.44	.40
101-TF25R-EV	C	7.3	3.8	2.5	300	.57	.52	.47	.43
101-TF25S-EV	C	7.3	3.8	2.5	400	.61	.55	.50	.45
<b>IG Series Tactile Switches</b>									
101-IG14K-EV	D	3.6	4.6	1.4	200	.57	.51	.46	.43
<b>L6 Series Tactile Switches</b>									
101-L613R-EV	E	7.4	6.0	5.0	200	.87	.79	.72	.65
101-L613S-EV	E	7.4	6.0	5.0	350	.95	.86	.78	.71

## TS SERIES TACTILE SWITCHES

### Specifications:

- Rating: 50mA/12VDC • Contact Resistance: 100mΩ max. • Dielectric Strength: 250VAC / minute

<b>3.5x6 Tactile Switches</b>									
101-TS4311T1601-EV	F	6.0	3.5	4.3	160	.23	.21	.17	.15
101-TS4311T2601-EV	F	6.0	3.5	4.3	260	.23	.21	.17	.15
101-TS4311T3201-EV	F	6.0	3.5	4.3	320	.25	.231	.187	.165
101-TS4311T5201-EV	F	6.0	3.5	4.3	520	.23	.21	.17	.15
101-TS4311T1602-EV	F	6.0	3.5	5.0	160	.23	.21	.17	.15
101-TS4311T2602-EV	F	6.0	3.5	5.0	260	.23	.21	.17	.15
101-TS4311T3202-EV	F	6.0	3.5	5.0	320	.25	.229	.186	.164
101-TS4311T5202-EV	F	6.0	3.5	5.0	520	.25	.229	.186	.164
<b>6x6 Tactile Switches</b>									
101-TS6111T1601-EV	G	6.2	6.2	4.3	160	.13	.11	.09	.08
101-TS6111T1602-EV	G	6.2	6.2	5.0	160	.13	.11	.09	.08
101-TS6111T1603-EV	G	6.2	6.2	7.0	160	.14	.12	.10	.08
101-TS6111T1605BC-EV	H	6.2	6.2	7.3	160	.20	.17	.12	.11
101-TS6111T1606-EV	G	6.2	6.2	9.5	160	.20	.17	.12	.11
101-TS6111T1607-EV	G	6.2	6.2	13.0	160	.23	.197	.142	.131
<b>12x12 Tactile Switches</b>									
101-TS6211T2601-EV	G	12.0	12.0	4.3	260	.34	.29	.20	.18
101-TS6211T3201-EV	G	12.0	12.0	4.3	320	.34	.29	.20	.18
* 101-TS6211T2602AC-EV	H	12.0	12.0	7.3	260	.39	.331	.232	.21
* 101-TS6211T3202AC-EV	H	12.0	12.0	7.3	320	.39	.33	.231	.209
101-TS6211T1603-EV	G	12.0	12.0	8.5	160	.36	.30	.21	.19
101-TS6211T2603-EV	G	12.0	12.0	8.5	260	.38	.32	.23	.21
101-TS6211T3203-EV	G	12.0	12.0	8.5	320	.38	.32	.23	.21
<b>Right Angle Tactile Switches</b>									
101-TS6511R1601-EV	I	6.2	6.5	3.1	160	.28	.251	.208	.175
101-TS6511R1602-EV	I	6.2	6.5	3.8	160	.28	.25	.207	.174
101-TS6511R1604BC-EV	J	6.2	6.5	6.1	160	.27	.24	.20	.17
101-TS6511R1606-EV	I	6.2	6.5	8.3	160	.27	.24	.20	.17
101-TS6511R1607-EV	I	6.2	6.5	11.8	160	.27	.24	.20	.17
<b>6x6 Washable Tactile</b>									
101-TS6711T1602-EV	K	6.3	6.2	3.1	160	.55	.504	.438	.372
101-TS6711T2604-EV	K	6.3	6.2	3.8	260	.55	.504	.438	.372
101-TS6711T2605-EV	K	6.3	6.2	5.2	260	.56	.506	.44	.374
<b>6x6 Radial Leaded Tactile Switches</b>									
101-TS7311T1601-EV	L	6.2	6.2	4.3	160	.18	.16	.14	.13
101-TS7311T1602-EV	L	6.2	6.2	5.0	160	.18	.16	.14	.13
101-TS7311T1603-EV	L	6.2	6.2	7.0	160	.19	.175	.153	.142
101-TS7311T1604BC-EV	M	6.2	6.2	7.3	160	.18	.16	.14	.13
101-TS7311T1605BC-EV	M	6.2	6.2	7.3	160	.18	.16	.14	.13
101-TS7311T1606-EV	L	6.2	6.2	9.0	160	.18	.16	.14	.13
101-TS7311T1607-EV	L	6.2	6.2	13.0	160	.19	.176	.154	.143

\* Order caps 101-0110-EV through 101-0119-EV and 101-0210-EV through 101-0219-EV.

† Order caps 101-0100-EV through 101-0109-EV and 101-0200-EV through 101-0209-EV.

## TS55 SERIES ILLUMINATED TACTILE SWITCHES

### Specifications:

- Dielectric Strength: 250VAC / minute
- Rating: 50mA/12VDC • Contact Resistance: 100mΩ max.

For quantities greater than listed, call for quote.

MOUSER STOCK NO.	Fig.	Dimensions: mm			Color	Operating Force (gf)	Price Each			
		L	W	H			1	50	100	500
101-TS5511T16002R-EV	N	6.1	6.1	7.0	Red	160	1.99	1.79	1.39	1.25
101-TS5511T16002Y-EV	N	6.1	6.1	7.0	Yellow	160	1.99	1.79	1.39	1.25
101-TS5511T16002G-EV	N	6.1	6.1	7.0	Green	160	2.18	1.96	1.52	1.37
101-TS5511T16002B-EV	N	6.1	6.1	7.0	Blue	160	2.47	2.25	1.96	1.77
101-TS5511T16001W-EV	N	6.1	6.1	7.0	White	260	3.26	2.94	2.61	2.34
101-TS5511T26002R-EV	N	6.1	6.1	7.0	Red	260	1.99	1.79	1.39	1.25
101-TS5511T26002G-EV	N	6.1	6.1	7.0	Green	260	2.18	1.96	1.52	1.37
101-TS5511T26002B-EV	N	6.1	6.1	7.0	Blue	260	2.51	2.29	2.00	1.80
101-TS5511T26001W-EV	N	6.1	6.1	7.0	White	260	2.96	2.67	2.37	2.13

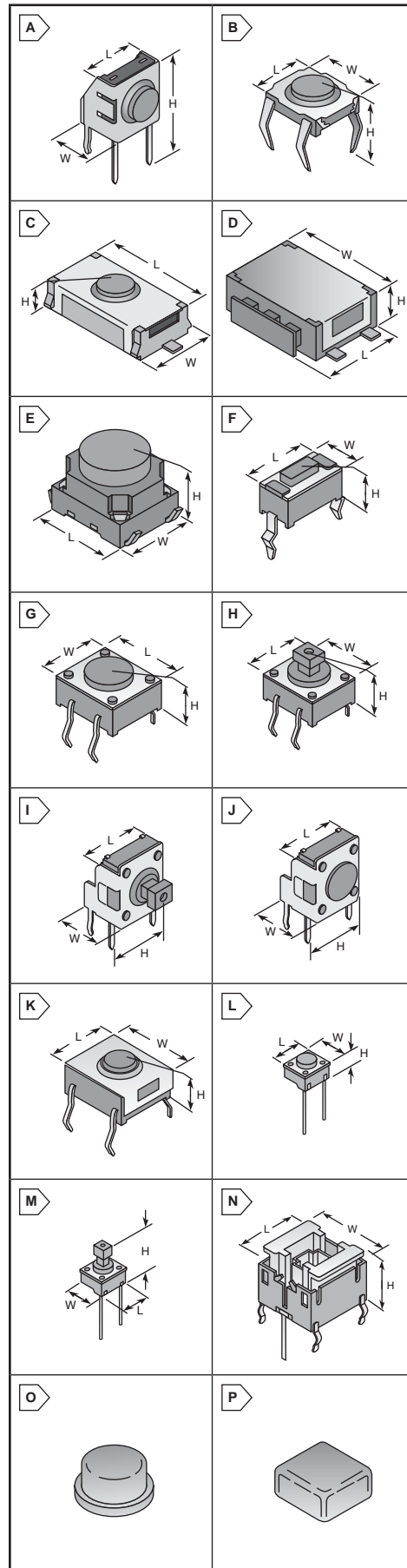
## TS55 SERIES ILLUMINATED TACTILE SWITCH CAPS

Round: Replace the blank in the Mouser Stock No. with: K for Black, B for Blue, G for Green, I for Ivory, R for Red, S for Salmon, Y for Yellow.

Square: Replace the blank in the Mouser Stock No. with: YEL for Yellow, BLU for Blue, RED for Red, IVY for Ivory, BLK for Black, GRN for Green, SMN for Salmon.

For quantities greater than listed, call for quote.

MOUSER STOCK NO.	Fig.	Shape	General Tolerances	Price Each			
				1	50	100	500
101-TS55KTRA--EV	O	Round	±0.3mm	.56	.50	.43	.39
101-TS55KCS--EV	P	Square	±0.3mm	.50	.45	.39	.35



Mountain Switch Tactile Switches