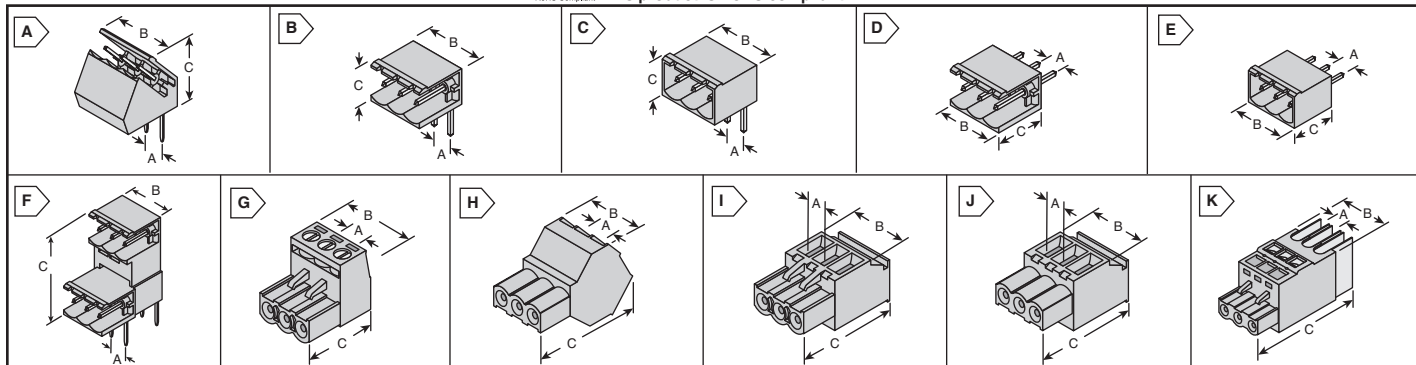


PHOENIX CONTACT 5.08mm Pluggable Terminal Blocks



RoHS Compliant This product is RoHS compliant.



5.08MM HEADERS

PCB, Single Level, Through-Hole Solder Mounting

- RoHS Compliant per Phoenix documentation
- UL: 150V @ 15A & 300V @ 10A
- Color: Green



For quantities of 100 and up, call for quote.

MOUSER STOCK NO.		Fig.	Phoenix Type	Pos.	Dimensions: mm			Price Each		
Mfr	Mfr. Part No.				A	B	C	1	10	50
135° Socket-to-Pin Orientation Without Side Panels										
651-1769463	A	SMSTB 2.5/2-G-5.08	2	5.08	10.16	14.8	.60	.56	.523	
651-1769476	A	SMSTB 2.5/3-G-5.08	3	5.08	15.24	14.8	.98	.91	.776	
651-1769489	A	SMSTB 2.5/4-G-5.08	4	5.08	20.32	14.8	1.30	1.20	1.02	
651-1769492	A	SMSTB 2.5/5-G-5.08	5	5.08	25.40	14.8	1.60	1.48	1.24	
651-1769502	A	SMSTB 2.5/6-G-5.08	6	5.08	30.48	14.8	1.92	1.78	1.51	
z651-1769528	A	SMSTB 2.5/8-G-5.08	8	5.08	40.64	14.8	2.53	2.34	1.99	
651-1769544	A	SMSTB 2.5/10-G-5.08	10	5.08	50.80	14.8	3.15	2.92	2.48	
651-1769560	A	SMSTB 2.5/12-G-5.08	12	5.08	60.96	14.8	3.84	3.55	3.02	
90° Socket-to-Pin Orientation Without Side Panels										
651-1759017	B	MSTB 2.5/2-G-5.08	2	5.08	10.16	8.6	.50	.451	.39	
651-1759020	B	MSTB 2.5/3-G-5.08	3	5.08	15.24	8.6	.78	.711	.606	
651-1759033	B	MSTB 2.5/4-G-5.08	4	5.08	20.32	8.6	1.04	.91	.817	
651-1759046	B	MSTB 2.5/5-G-5.08	5	5.08	25.40	8.6	1.28	1.19	1.01	
651-1759059	B	MSTB 2.5/6-G-5.08	6	5.08	30.48	8.6	1.44	1.37	1.17	
651-1759062	B	MSTB 2.5/7-G-5.08	7	5.08	35.56	8.6	1.75	1.63	1.39	
651-1759075	B	MSTB 2.5/8-G-5.08	8	5.08	40.64	8.6	2.03	1.88	1.60	
651-1759088	B	MSTB 2.5/9-G-5.08	9	5.08	45.72	8.6	2.26	2.10	1.79	
651-1759091	B	MSTB 2.5/10-G-5.08	10	5.08	50.80	8.6	2.43	2.31	1.97	
651-1759114	B	MSTB 2.5/12-G-5.08	12	5.08	60.96	8.6	2.98	2.82	2.40	
90° Socket-to-Pin Orientation										
651-1757242	C	MSTBA2.5/2-G-5.08	2	5.08	12.16	8.6	.50	.451	.39	
651-1757255	C	MSTBA2.5/3-G-5.08	3	5.08	17.24	8.6	.75	.701	.598	
651-1757268	C	MSTBA2.5/4-G-5.08	4	5.08	22.32	8.6	.95	.87	.806	
651-1757271	C	MSTBA2.5/5-G-5.08	5	5.08	27.40	8.6	1.27	1.17	.997	
651-1757284	C	MSTBA2.5/6-G-5.08	6	5.08	32.48	8.6	1.48	1.36	1.16	
651-1757297	C	MSTBA2.5/7-G-5.08	7	5.08	37.56	8.6	1.71	1.65	1.40	
651-1757307	C	MSTBA2.5/8-G-5.08	8	5.08	42.64	8.6	1.98	1.85	1.58	
651-1757310	C	MSTBA2.5/9-G-5.08	9	5.08	47.72	8.6	2.21	2.10	1.79	
651-1757323	C	MSTBA2.5/10-G-5.08	10	5.08	52.80	8.6	2.45	2.35	1.96	
651-1757336	C	MSTBA2.5/11-G-5.08	11	5.08	57.88	8.6	2.74	2.55	2.18	
651-1757349	C	MSTBA2.5/12-G-5.08	12	5.08	62.96	8.6	2.98	2.83	2.38	
180° Socket-to-Pin Orientation Without Side Panels										
651-1758018	D	MSTBV 2.5/2-G-5.08	2	5.08	10.16	12.0	.49	.45	.389	
651-1758021	D	MSTBV 2.5/3-G-5.08	3	5.08	15.24	12.0	.78	.711	.606	
651-1758034	D	MSTBV 2.5/4-G-5.08	4	5.08	20.32	12.0	.95	.87	.806	
651-1758047	D	MSTBV 2.5/5-G-5.08	5	5.08	25.40	12.0	1.30	1.20	1.02	
651-1758050	D	MSTBV 2.5/6-G-5.08	6	5.08	30.48	12.0	1.32	1.19	1.10	
651-1758063	D	MSTBV 2.5/7-G-5.08	7	5.08	35.56	12.0	1.74	1.65	1.40	
651-1758076	D	MSTBV 2.5/8-G-5.08	8	5.08	40.64	12.0	2.03	1.88	1.60	
651-1758089	D	MSTBV 2.5/9-G-5.08	9	5.08	45.72	12.0	2.28	2.11	1.79	
651-1758092	D	MSTBV 2.5/10-G-5.08	10	5.08	50.80	12.0	2.45	2.30	1.96	
651-1758115	D	MSTBV 2.5/12-G-5.08	12	5.08	60.96	12.0	3.00	2.82	2.40	
180° Socket-to-Pin Orientation										
651-1755736	E	MSTBA2.5/2-G-5.08	2	5.08	12.16	12.0	.48	.451	.39	
651-1755749	E	MSTBA2.5/3-G-5.08	3	5.08	17.24	12.0	.78	.701	.598	
651-1755752	E	MSTBA2.5/4-G-5.08	4	5.08	22.32	12.0	.95	.87	.806	
651-1755765	E	MSTBA2.5/5-G-5.08	5	5.08	27.40	12.0	1.29	1.19	1.01	
651-1755778	E	MSTBA2.5/6-G-5.08	6	5.08	32.48	12.0	1.49	1.38	1.16	
651-1755781	E	MSTBA2.5/7-G-5.08	7	5.08	37.56	12.0	1.74	1.64	1.39	
651-1755794	E	MSTBA2.5/8-G-5.08	8	5.08	42.64	12.0	2.02	1.87	1.59	
651-1755804	E	MSTBA2.5/9-G-5.08	9	5.08	47.72	12.0	2.21	2.12	1.80	
651-1755817	E	MSTBA2.5/10-G-5.08	10	5.08	52.80	12.0	2.46	2.30	1.96	
651-1755820	E	MSTBA2.5/11-G-5.08	11	5.08	57.88	12.0	2.70	2.57	2.20	
651-1755833	E	MSTBA2.5/12-G-5.08	12	5.08	62.96	12.0	2.98	2.78	2.38	

Double Level, Through-Hole Solder Mounting

- RoHS Compliant per Phoenix documentation
- UL: 150V @ 15A & 300V @ 10A
- Color: Green



For quantities of 100 and up, call for quote.

MOUSER STOCK NO.		Fig.	Phoenix Type	Pos.	Dimensions: mm			Price Each		
Mfr	Mfr. Part No.				A	B	C	1	10	50
90° Socket-to-Pin Orientation Without Side Panels										
651-1762062	F	MDSTB 2.5/2-G-5.08	2	5.08	10.16	23.5	1.85	1.75	1.49	
651-1762075	F	MDSTB 2.5/3-G-5.08	3	5.08	15.24	23.5	2.71	2.54	2.17	

5.08MM PLUGS

Screw Clamp Wire Termination

- RoHS Compliant per Phoenix documentation
- UL: 150V @ 15A & 300V @ 10A, 30-12AWG
- Color: Green



For quantities of 100 and up, call for quote.

MOUSER STOCK NO.		Fig.	Phoenix Type	Pos.	Dimensions: mm			Price Each		
Mfr	Mfr. Part No.				A	B	C	1	10	50
180° Wire-to-Plug Orientation										
651-1757019	G	MSTB 2.5/2-ST-5.08	2	5.08	10.16	18.2	1.46	1.40	1.19	
651-1757022	G	MSTB 2.5/3-ST-5.08	3	5.08	15.24	18.2	2.24	2.11	1.80	
651-1757035	G	MSTB 2.5/4-ST-5.08	4	5.08	20.32	18.2	3.01	2.82	2.40	
651-1757048	G	MSTB 2.5/5-ST-5.08	5	5.08	25.40	18.2	3.75	3.42	3.01	
651-1757051	G	MSTB 2.5/6-ST-5.08	6	5.08	30.48	18.2	4.50	4.21	3.58	
651-1757064	G	MSTB 2.5/7-ST-5.08	7	5.08	35.56	18.2	5.26	4.92	4.23	
651-1757077	G	MSTB 2.5/8-ST-5.08	8	5.08	40.64	18.2	6.00	5.61	4.79	
651-1757080	G	MSTB 2.5/9-ST-5.08	9	5.08	45.72	18.2	6.75	6.31	5.39	
651-1757093	G	MSTB 2.5/10-ST-5.08	10	5.08	50.80	18.2	7.07	7.02	5.99	
651-1757103	G	MSTB 2.5/11-ST-5.08	11	5.08	55.88	18.2	8.23	7.72	6.57	
651-1757116	G	MSTB 2.5/12-ST-5.08	12	5.08	60.96	18.2	8.99	8.40	7.18	
135° Wire-to-Plug Orientation										
651-1826283	H	SMSTB 2.5/2-ST-5.08	2	5.08	10.16	25.5	2.14	1.93	1.69	
651-1826296	H	SMSTB 2.5/3-ST-5.08	3	5.08	15.24	25.5	3.18	2.94	2.50	
651-1826310	H	SMSTB 2.5/4-ST-5.08	4	5.08	20.32	25.5	4.27	3.94	3.36	
651-1826319	H	SMSTB 2.5/5-ST-5.08	5	5.08	25.40	25.5	5.36	4.95	4.22	
651-1826322	H	SMSTB 2.5/6-ST-5.08	6	5.08	30.48	25.5	6.40	5.91	5.04	
651-1826335	H	SMSTB 2.5/7-ST-5.08	7	5.08	35.56	25.5	7.40	6.85	5.83	
651-1826348	H	SMSTB 2.5/8-ST-5.08	8	5.08	40.64	25.5	8.47	7.62	6.65	
651-1826351	H	SMSTB 2.5/9-ST-5.08	9	5.08	45.72	25.5	9.63	8.88	7.58	
651-1826364	H	SMSTB 2.5/10-ST-5.08	10	5.08	50.80	25.5	10.70	9.88	8.42	
651-1826377	H	SMSTB 2.5/11-ST-5.08	11	5.08	55.88	25.5	11.66	10.76	9.17	
651-1826380	H	SMSTB 2.5/12-ST-5.08	12	5.08	60.96	25.5	11.32	10.28	9.48	
90° Wire-to-Plug Orientation										
651-1792249	I	MVSTBR 2.5/2-ST-5.08	2	5.08	10.16	26.0	1.71	1.63	1.39	
651-1792252	I	MVSTBR 2.5/3-ST-5.08	3	5.08	15.24	26.0	2.34	2.11	1.98	
651-1792265	I	MVSTBR 2.5/4-ST-5.08	4	5.08	20.32	26.0	3.49	3.27	2.79	
651-1792278	I	MVSTBR 2.5/5-ST-5.08	5	5.08	25.40	26.0	4.37	4.05	3.48	
651-1792281	I	MVSTBR 2.5/6-ST-5.08	6	5.08	30.48	26.0	5.20	4.87	4.15	
651-1792294	I	MVSTBR 2.5/7-ST-5.08	7	5.08	35.56	26.0	6.09	5.69	4.86	
651-1792307	I	MVSTBR 2.5/8-ST-5.08	8	5.08	40.64	26.0	6.94	6.50	5.55	
651-1792310	I	MVSTBR 2.5/9-ST-5.08	9	5.08	45.72	26.0	7.81	7.33	6.25	
651-1792320	I	MVSTBR 2.5/10-ST-5.08	10	5.08	50.80	26.0	8.67	8.21	7.00	
651-1792333	I	MVSTBR 2.5/11-ST-5.08	11	5.08	55.88	26.0	9.49	8.94	7.62	
651-1792346	I	MVSTBR 2.5/12-ST-5.08	12	5.08	60.96	26.0	10.42	9.77	8.33	
270° Wire-to-Plug Orientation										
651-1792757	J	MVSTBW 2.5/2-ST-5.08								