

IDC Connectors, Jumpers, Headers and Receptacles

KOBICONN IDC SOCKET CONNECTOR WITH STRAIN RELIEF

Specifications:

- .100" spacing
- Rating: 1A

For quantities greater than listed, call for quote.

MOUSER STOCK NO.	Fig.	Number of Contacts	Price Each			
			1	10	100	500
164-9006-E	A	10	.39	.26	.24	.22
164-9007-E	A	14	.54	.36	.33	.30
164-9008-E	A	16	.61	.42	.38	.35
164-9001-E	A	20	.54	.36	.33	.30
164-9010-E	A	24	.84	.56	.51	.46
164-9002-E	A	26	.60	.40	.36	.33
164-9003-E	A	34	.71	.47	.43	.39
164-9004-E	A	40	.84	.56	.51	.46
164-9005-E	A	50	1.02	.68	.62	.56

KOBICONN IDC DIP FLAT CABLE PLUGS

Specifications:

- Current rating: 1A
- Insulation resistance: 10¹⁰ Ω
- Breakdown voltage: 500VDC
- IDC wire size: 28 AWG/.050" Spacing

Features:

- IDC mass termination
- Gold plated contacts
- Mates with .050" flat cable

For quantities greater than listed, call for quote.

MOUSER STOCK NO.	Fig.	No. of Contacts	Contact Plating	Price Each			
				1	10	100	500
151-2P14-E	B	14	.100 x .300	1.12	.75	.68	.62
151-2P16-E	B	16	.100 x .300	1.14	.76	.69	.63
151-2P24-E	B	24	.100 x .300	1.22	.81	.74	.67
151-2P40-E	B	40	.100 x .600	1.97	1.31	1.19	1.08

KOBICONN SHORTING JUMPERS

Specifications:

- Fits all standard .100" space headers
- Low insertion and withdrawal forces
- Nail grip for easy removal

- Phosphor bronze gold flash over nickel
- Open-ended option permits stacking and probe testing
- Operating temperature: 55°C to 105°C

For quantities greater than listed, call for quote.

MOUSER STOCK NO.	C	Color	Finish	Price Each			
				1	10	100	500
151-8000-E	C	Black	Open	.13	.09	.06	.05
151-8001-E	C	Blue	Open	.13	.09	.06	.05
151-8003-E	C	Red	Open	.13	.09	.06	.05
151-8010-E	C	Black	Closed	.13	.09	.06	.05
151-8011-E	C	Blue	Closed	.12	.08	.06	.05
151-8013-E	C	Red	Closed	.13	.09	.06	.05

KOBICONN THUMB PULL SHORTING JUMPERS

Specifications:

- Current rating: 1A
- Contact resistance: 15mΩ

- Insertion force: 80g
- Withdrawal force: 112g
- Gold plated contacts

For quantities greater than listed, call for quote.

MOUSER STOCK NO.	Fig.	Color	Price Each			
			1	100	500	1000
151-8030-E	D	Black	.18	.12	.08	.07
151-8031-E	D	Blue	.18	.12	.08	.07
151-8033-E	D	Red	.18	.12	.08	.07

KOBICONN DIP THROUGH PIN COMPONENT HEADERS

Specifications:

- Insulator: PBT 30% glass filled polyester
- Contact: precision machined, gold plated brass
- Pin: gold plated brass

- Current rating: 1A
- Temperature range: -55°C to +125°C

For quantities greater than listed, call for quote.

MOUSER STOCK NO.	Fig.	No. of Pins	Pin Spacing: (IN)	Price Each			
				1	100	500	1000
151-23169	E	16	.30 x .100	2.01	1.55	1.41	1.28

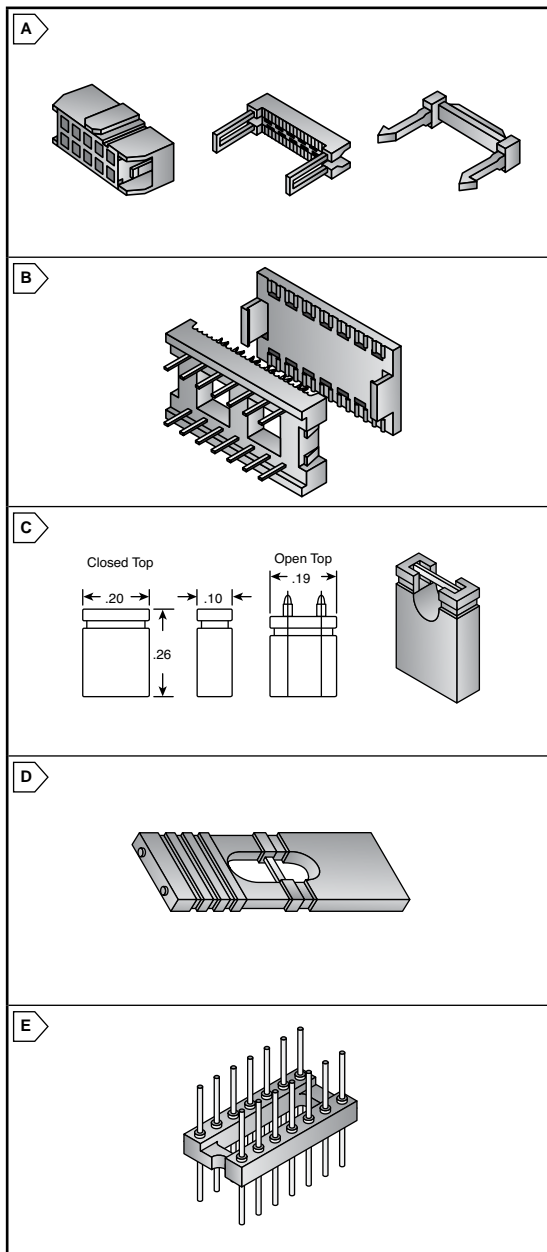
NORCOMP 2MM HEADERS/RECEPTACLES

Features:

- .079" spacing for real estate savings
- Insulator: Glass-filled thermoplastic, Black, U.L. rated 94V-O
- Plating: Gold Flash Entire Contact
- Contacts: Phosphor bronze

For quantities greater than listed, call for quote.

MOUSER STOCK NO.	NorComp Part No.	Fig.	No. of Positions	Description	Price Each			
					1	25	50	100
Headers								
636-26630201RP2	26630201RP2	A	1X2	Straight	.25	.20	.19	.17
636-26630301RP2	26630301RP2	A	1X3	Straight	.30	.257	.236	.216
636-27630502RP2	27630502RP2	B	1X5	Right Angle	.56	.48	.44	.41
636-26630701RP2	26630701RP2	A	1X7	Straight	.56	.467	.436	.405
636-26631101RP2	26631101RP2	A	1X11	Straight	.80	.72	.68	.64
636-26633601RP2	26633601RP2	A	1X36	Straight	2.73	2.32	2.13	1.76
636-2664-06-01RP2	2664-06-01RP2	C	2X6	Straight	.55	.47	.43	.39
636-26642601RP2	26642601RP2	C	2X26	Straight	2.62	2.23	2.05	1.87
Receptacles								
636-25630301RP2	25630301RP2	D	1X3	Vertical	1.02	.853	.792	.731
636-25630401RP2	25630401RP2	D	1X4	Vertical	1.37	1.15	1.06	.98
636-25630701RP2	25630701RP2	D	1X7	Vertical	1.33	1.13	1.04	.95
636-25630901RP2	25630901RP2	D	1X9	Vertical	1.65	1.41	1.29	1.18
636-25631001RP2	25631001RP2	D	1X10	Vertical	2.12	2.02	1.84	1.65
636-28630606RP2	28630606RP2	E	1X6	Vertical SMT	.90	.774	.711	.647
636-28642006RP2	28642006RP2	F	2X20	Vertical SMT	2.05	1.72	1.61	1.39
636-28642606RP2	28642606RP2	F	2X26	Vertical SMT	2.92	2.48	2.29	2.02



Rectangular Connectors

