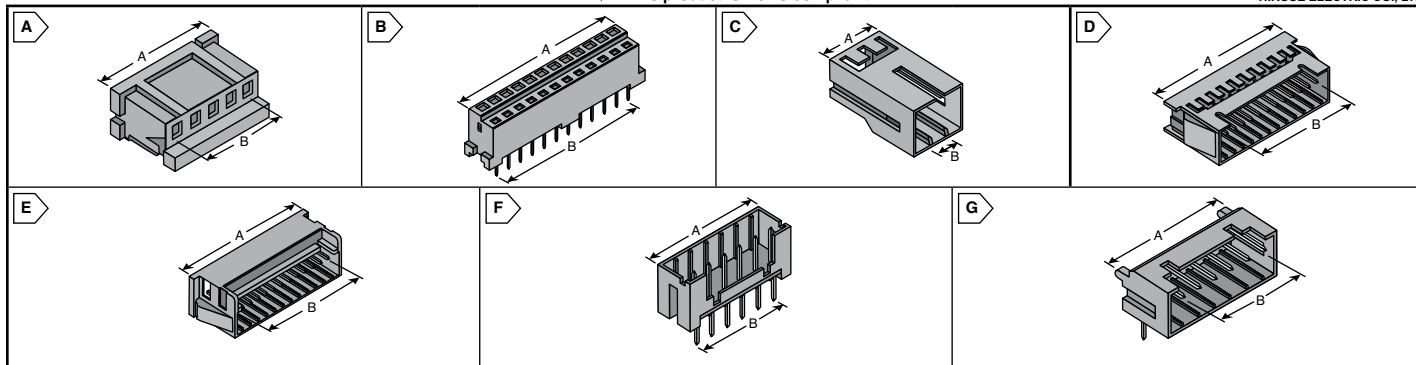


HIROSE 2.0mm for Discrete Wire Connections



HIROSE ELECTRIC CO., LTD.

RoHS Compliant This product is RoHS compliant.



DF3 SERIES SINGLE ROW CONNECTORS

Housings

For quantities of 200 and up, call for quote.

| MOUSER STOCK NO. | Hirose Part No. | Fig. | No. of Circuits | Dimensions | | Price Each | | |
|--|------------------|------|-----------------|------------|----|------------|------|------|
| | | | | A | B | 1 | 25 | 100 |
| Crimp Receptacle Housings | | | | | | | | |
| 798-DF3-2S-2C | DF3-2S-2C | A | 2 | 6 | 2 | .24 | .10 | .06 |
| 798-DF3-3S-2C | DF3-3S-2C | A | 3 | 8 | 4 | .26 | .11 | .06 |
| 798-DF3-4S-2C | DF3-4S-2C | A | 4 | 10 | 6 | .15 | .07 | .06 |
| 798-DF3-4S-2C16 | DF3-4S-2C(16) | A | 4 | 10 | 6 | .15 | .07 | .06 |
| 798-DF3-4S-2C | DF3-4S-2C | A | 4 | 10 | 6 | .28 | .11 | .07 |
| 798-DF3-5S-2C | DF3-5S-2C | A | 5 | 12 | 8 | .29 | .12 | .08 |
| 798-DF3-6S-2C | DF3-6S-2C | A | 6 | 14 | 10 | .31 | .13 | .09 |
| 798-DF3-7S-2C | DF3-7S-2C | A | 7 | 16 | 12 | .33 | .14 | .10 |
| 798-DF3-8S-2C | DF3-8S-2C | A | 8 | 18 | 14 | .28 | .13 | .10 |
| 798-DF3-9S-2C | DF3-9S-2C | A | 9 | 20 | 16 | .30 | .14 | .10 |
| 798-DF3-10S-2C | DF3-10S-2C | A | 10 | 22 | 18 | .32 | .15 | .11 |
| 798-DF3-12S-2C | DF3-12S-2C | A | 12 | 26 | 22 | .34 | .15 | .12 |
| 798-DF3-14S-2C | DF3-14S-2C | A | 14 | 30 | 26 | .37 | .17 | .13 |
| 798-DF3-15S-2C | DF3-15S-2C | A | 15 | 32 | 28 | .38 | .18 | .13 |
| PCB Receptacles - Vertical - Tin - Thru-Hole | | | | | | | | |
| 798-DF3-2S-2DSA25 | DF3-2S-2DSA(25) | B | 2 | 6 | 2 | .79 | .52 | .47 |
| 798-DF3-3S-2DSA25 | DF3-3S-2DSA(25) | B | 3 | 8 | 4 | .94 | .61 | .56 |
| 798-DF3-4S-2DSA25 | DF3-4S-2DSA(25) | B | 4 | 10 | 6 | 1.06 | .70 | .63 |
| 798-DF3-5S-2DSA25 | DF3-5S-2DSA(25) | B | 5 | 12 | 8 | 1.21 | .80 | .72 |
| 798-DF3-6S-2DSA25 | DF3-6S-2DSA(25) | B | 6 | 14 | 10 | 1.29 | .87 | .78 |
| 798-DF3-7S-2DSA25 | DF3-7S-2DSA(25) | B | 7 | 16 | 12 | 1.40 | .95 | .85 |
| 798-DF3-8S-2DSA25 | DF3-8S-2DSA(25) | B | 8 | 18 | 14 | 1.52 | 1.12 | 1.00 |
| 798-DF3-9S-2DSA25 | DF3-9S-2DSA(25) | B | 9 | 20 | 16 | 1.78 | 1.28 | 1.05 |
| 798-DF3-10S-2DSA25 | DF3-10S-2DSA(25) | B | 10 | 22 | 18 | 1.63 | 1.12 | 1.00 |
| PCB Receptacles - Vertical - Gold - Thru-Hole | | | | | | | | |
| 798-DF3-2S-2DSA55 | DF3-2S-2DSA(55) | B | 2 | 6 | 2 | .94 | .61 | .56 |
| 798-DF3-3S-2DSA55 | DF3-3S-2DSA(55) | B | 3 | 8 | 4 | 1.21 | .79 | .71 |
| 798-DF3-4S-2DSA55 | DF3-4S-2DSA(55) | B | 4 | 10 | 6 | 1.41 | .92 | .83 |
| 798-DF3-5S-2DSA55 | DF3-5S-2DSA(55) | B | 5 | 12 | 8 | 1.63 | 1.07 | .96 |
| 798-DF3-6S-2DSA55 | DF3-6S-2DSA(55) | B | 6 | 14 | 10 | 1.82 | 1.20 | 1.08 |
| 798-DF3-7S-2DSA55 | DF3-7S-2DSA(55) | B | 7 | 16 | 12 | 1.76 | 1.20 | 1.08 |
| 798-DF3-8S-2DSA55 | DF3-8S-2DSA(55) | B | 8 | 18 | 14 | 1.92 | 1.47 | 1.29 |
| 798-DF3-10S-2DSA55 | DF3-10S-2DSA(55) | B | 10 | 22 | 18 | 2.30 | 1.62 | 1.44 |
| Crimp Plug Housings | | | | | | | | |
| 798-DF3-2EP-2C | DF3-2EP-2C | C | 2 | 6 | 2 | .39 | .18 | .14 |
| 798-DF3-3EP-2C | DF3-3EP-2C | C | 3 | 8 | 4 | .45 | .21 | .16 |
| 798-DF3-4EP-2C | DF3-4EP-2C | C | 4 | 10 | 6 | .49 | .23 | .17 |
| 798-DF3-5EP-2C | DF3-5EP-2C | C | 5 | 12 | 8 | .53 | .25 | .19 |
| 798-DF3-6EP-2C | DF3-6EP-2C | C | 6 | 14 | 10 | .41 | .24 | .19 |
| 798-DF3-7EP-2C | DF3-7EP-2C | C | 7 | 16 | 12 | .47 | .27 | .21 |
| 798-DF3-8EP-2C | DF3-8EP-2C | C | 8 | 18 | 14 | .50 | .30 | .23 |
| Crimp Plug Housings - Panel Locks | | | | | | | | |
| 798-DF3AA-2EP-2C | DF3AA-2EP-2C | D | 2 | 11 | 2 | .47 | .22 | .16 |
| 798-DF3AA-3EP-2C | DF3AA-3EP-2C | D | 3 | 13 | 4 | .53 | .25 | .19 |
| 798-DF3AA-4EP-2C | DF3AA-4EP-2C | D | 4 | 15 | 6 | .41 | .24 | .19 |
| 798-DF3AA-5EP-2C | DF3AA-5EP-2C | D | 5 | 17 | 8 | .46 | .27 | .21 |
| 798-DF3AA-6EP-2C | DF3AA-6EP-2C | D | 6 | 19 | 10 | .49 | .29 | .23 |
| 798-DF3AA-7EP-2C | DF3AA-7EP-2C | D | 7 | 21 | 12 | .53 | .31 | .24 |
| 798-DF3AA-8EP-2C | DF3AA-8EP-2C | D | 8 | 23 | 14 | .56 | .33 | .26 |
| 798-DF3AA-9EP-2C | DF3AA-9EP-2C | D | 9 | 25 | 16 | .60 | .36 | .282 |
| 798-DF3AA-10EP-2C | DF3AA-10EP-2C | D | 10 | 27 | 18 | .64 | .38 | .29 |
| 798-DF3AA-11EP-2C | DF3AA-11EP-2C | D | 11 | 29 | 20 | .68 | .40 | .31 |
| 798-DF3AA-12EP-2C | DF3AA-12EP-2C | D | 12 | 31 | 22 | .71 | .42 | .33 |
| 798-DF3AA-13EP-2C | DF3AA-13EP-2C | D | 13 | 33 | 24 | .57 | .41 | .33 |
| 798-DF3AA-14EP-2C | DF3AA-14EP-2C | D | 14 | 35 | 26 | .60 | .43 | .35 |
| 798-DF3AA-15EP-2C | DF3AA-15EP-2C | D | 15 | 37 | 28 | .63 | .45 | .37 |
| Adapters - Male-Male - Panel Locks | | | | | | | | |
| 798-DF3-2EP-2A | DF3-2EP-2A | E | 2 | 11 | 2 | .71 | .51 | .41 |
| 798-DF3-3EP-2A | DF3-3EP-2A | E | 3 | 13 | 4 | .79 | .56 | .46 |
| 798-DF3-4EP-2A | DF3-4EP-2A | E | 4 | 15 | 6 | .87 | .62 | .51 |
| 798-DF3-5EP-2A | DF3-5EP-2A | E | 5 | 17 | 8 | .95 | .69 | .56 |
| 798-DF3-15EP-2A | DF3-15EP-2A | E | 15 | 37 | 28 | 1.81 | 1.30 | 1.07 |

Crimp Contacts

For quantities of 200 and up, call for quote.

| MOUSER STOCK NO. | Hirose Part No. | Fig. | Plating | AWG | Price Each | | |
|---|-----------------|------------------------------|-----------------|------------|------------|------------|-----|
| | | | | | 1 | 25 | 100 |
| Female | | | | | | | |
| 798-DF3-2428SCC | DF3-2428SCC | - | Gold | 24-28 | .29 | .18 | .10 |
| 798-DF3-22SC | DF3-22SC | - | Tin | 22 | .23 | .09 | .06 |
| 798-DF3-2428SC | DF3-2428SC | - | Tin | 24-28 | .25 | .09 | .07 |
| Male | | | | | | | |
| 798-DF3-EP2428PCA | DF3-EP2428PCA | - | Gold | 24-28 | .27 | .23 | .20 |
| 798-DF3-EP2428PC | DF3-EP2428PC | - | Tin | 24-28 | .27 | .19 | .08 |
| Crimp Contacts (Reels) | | | | | | | |
| MOUSER STOCK NO. | Hirose Part No. | Fig. | Plating | AWG | Reel Qty. | Price Each | |
| Female | | | | | | | |
| 798-DF3-22SCFC | DF3-22SCFC | - | Gold | 22 | 10000 | .06 | |
| 798-DF3-2428SCFC | DF3-2428SCFC | - | Gold | 24-28 | 10000 | .06 | |
| 798-DF3-22SCF | DF3-22SCF | - | Tin | 22 | 10000 | .03 | |
| 798-DF3-2428SCF | DF3-2428SCF | - | Tin | 24-28 | 10000 | .03 | |
| Male | | | | | | | |
| 798-DF3-EP2428PCFA | DF3-EP2428PCFA | - | Gold | 24-28 | 10000 | .09 | |
| 798-DF3-EP2428PCF | DF3-EP2428PCF | - | Tin | 24-28 | 10000 | .04 | |
| Tooling | | | | | | | |
| MOUSER STOCK NO. | Hirose Part No. | Description | | | Price Each | | |
| 798-DF3TA2428HC | DF3-TA2428HC | Hand Tool w/Die 24-28AWG Fem | | | 591.85 | | |
| 798-DF3-TA22HC | DF3-TA22HC | Hand Tool 22 AWG Fem | | | 887.90 | | |
| 798-DF3EP-TA2428HC | DF3EP-TA2428HC | Hand Tool 24-28AWG Male | | | 865.80 | | |
| Headers | | | | | | | |
| For quantities of 200 and up, call for quote. | | | | | | | |
| MOUSER STOCK NO. | Hirose Part No. | Fig. | No. of Circuits | Dimensions | | Price Each | |
| Vertical - Tin - Thru-hole | | | | | | | |
| 798-DF3A-2P-2DSA | DF3A-2P-2DSA | F | 2 | 6 | 2 | .31 | .13 |
| 798-DF3A-3P-2DSA | DF3A-3P-2DSA | F | 3 | 8 | 4 | .37 | .16 |
| 798-DF3A-4P-2DSA | DF3A-4P-2DSA | F | 4 | 10 | 6 | .34 | .16 |
| 798-DF3A-5P-2DSA | DF3A-5P-2DSA | F | 5 | 12 | 8 | .43 | .20 |
| 798-DF3A-6P-2DSA | DF3A-6P-2DSA | F | 6 | 14 | 10 | .48 | .22 |
| 798-DF3A-7P-2DSA | DF3A-7P-2DSA | F | 7 | 16 | 12 | .41 | .24 |
| 798-DF3A-8P-2DSA | DF3A-8P-2DSA | F | 8 | 18 | 14 | .45 | .27 |
| 798-DF3A-9P-2DSA | DF3A-9P-2DSA | F | 9 | 20 | 16 | .49 | .29 |
| 798-DF3A-10P-2DSA | DF3A-10P-2DSA | F | 10 | 22 | 18 | .51 | .30 |
| 798-DF3A-12P-2DSA | DF3A-12P-2DSA | F | 12 | 26 | 22 | .55 | .33 |
| 798-DF3A-13P-2DSA | DF3A-13P-2DSA | F | 13 | 28 | 24 | .57 | .30 |
| 798-DF3A-14P-2DSA | DF3A-14P-2DSA | F | 14 | 30 | 26 | .59 | .31 |
| 798-DF3A-15P-2DSA | DF3A-15P-2DSA | F | 15 | 32 | 28 | .62 | .33 |
| Vertical - Gold - Thru Hole | | | | | | | |
| 798-DF3-2P-2DSA01 | DF3-2P-2DSA(01) | F | 2 | 6 | 2 | .50 | .30 |
| 798-DF3-6P-2DSA01 | DF3-6P-2DSA(01) | F | 6 | 14 | 10 | .79 | .56 |
| Right Angle - Tin - Thru Hole | | | | | | | |
| 798-DF3A-2P-2DS | DF3A-2P-2DS | G | 2 | 6 | 2 | .34 | .14 |
| 798-DF3A-3P-2DS | DF3A-3P-2DS | G | 3 | 8 | 4 | .33 | .15 |
| 798-DF3A-4P-2DS | DF3A-4P-2DS | G | 4 | 10 | 6 | .38 | .18 |
| 798-DF3A-5P-2DS | DF3A-5P-2DS | G | 5 | 12 | 8 | .50 | .23 |
| 798-DF3A-6P-2DS | DF3A-6P-2DS | G | 6 | 14 | 10 | .53 | .25 |
| 798-DF3A-7P-2DS | DF3A-7P-2DS | G | 7 | 16 | 12 | .41 | .24 |
| 798-DF3A-8P-2DS | DF3A-8P-2DS | G | 8 | 18 | 14 | .54 | .32 |
| 798-DF3A-9P-2DS | DF3A-9P-2DS | G | 9 | 20 | 16 | .58 | .34 |
| 798-DF3A-10P-2DS | DF3A-10P-2DS | G | 10 | 22 | 18 | .60 | .36 |
| 798-DF3A-11P-2DS | DF3A-11P-2DS | G | 11 | 24 | 20 | .63 | .37 |
| 798-DF3A-12P-2DS | DF3A-12P-2DS | G | 12 | 26 | 22 | .65 | .39 |
| 798-DF3A-13P-2DS | DF3A-13P-2DS | G | 13 | 28 | 24 | .68 | .40 |
| 798-DF3A-14P-2DS | DF3A-14P-2DS | G | 14 | 30 | 26 | .70 | .41 |
| 798-DF3A-15P-2DS | DF3A-15P-2DS | G | 15 | 32 | 28 | .72 | .43 |

Rectangular Connectors Hirose