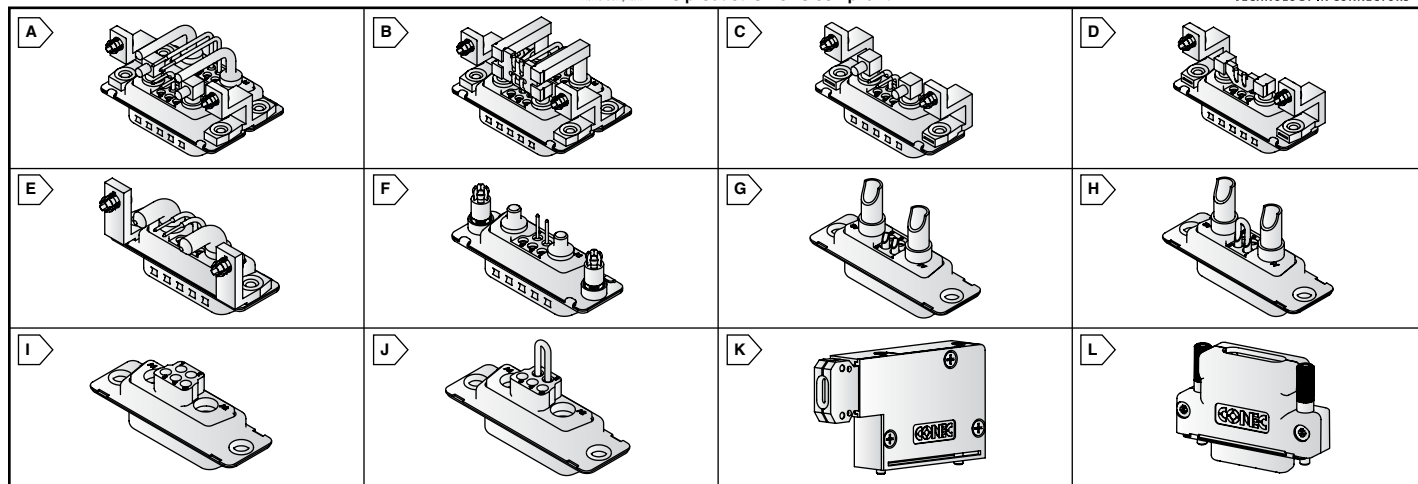


CONEC MicroTCA Power Module Input Connectors

RoHS Compliant This product is RoHS compliant.

CONEC
TECHNOLOGY IN CONNECTORS™



STANDARD DUAL 7W2 VERSION FOR -48V /-60V POWER INPUT MODULES

For quantities of 500 and up, call for quote.

MOUSER STOCK NO.	CONEC Part No.	Fig.	Gender	Power Contact Current Rating	Port Type	Mounting Options	Price Each		
							1	10	100
MicroTCA PCB layout									
706-13-00011	13-000011	A	Male	24A	Dual	with UNC 4-40 thread and Hex bolts UNC 4-40	19.76	16.28	14.25
706-13-00021	13-000021	A	Male	24A	Dual	with UNC 4-40 thread, without bolts	20.91	16.46	13.64
SMD Version									
706-1vv3-00031	13-000031	B	Male	35A	Dual	with UNC 4-40 thread and Hex bolts UNC 4-40	20.14	17.02	14.89

SINGLE 7W2 VERSION FOR COMPACT -48V / -60V POWER INPUT MODULES

For quantities of 500 and up, call for quote.

MOUSER STOCK NO.	CONEC Part No.	Fig.	Gender	Power Contact Current Rating	Port Type	Mounting Options	Price Each		
							1	10	100
MicroTCA PCB layout									
706-13-00051	13-000051	C	Male	24A	Single	with UNC 4-40 thread and Hex bolts UNC 4-40	13.57	10.69	8.85
706-13-00061	13-000061	C	Male	24A	Single	with UNC 4-40 thread, without bolts	12.73	10.02	8.30
SMD Version									
706-13-00071	13-000071	D	Male	35A	Single	with UNC 4-40 thread and Hex bolts UNC 4-40	14.06	11.07	9.17
Standard PCB layout									
706-13-00091	13-000091	E	Male	40A	Single	with UNC 4-40 thread and Hex bolts UNC 4-40	10.51	8.75	8.51
706-13-000101	13-000101	E	Male	40A	Single	with UNC 4-40 thread, without bolts	9.73	8.10	6.57
Vertical PCB mount									
706-13-000111	13-000111	F	Male	24A	Single	with UNC 4-40 thread and Hex bolts UNC 4-40	9.73	8.12	6.58
706-13-000121	13-000121	F	Male	24A	Single	with UNC 4-40 thread, without bolts	8.66	7.21	5.85

D-SUB 7W2 SOCKET FOR CABLE SIDE OF MICROTCA

For quantities of 500 and up, call for quote.

MOUSER STOCK NO.	CONEC Part No.	Fig.	Gender	Power Contact Current Rating	Port Type	Mounting Options	Price Each		
							1	10	100
Solder Cup Version									
706-13-000131	13-000131	G	Female	30A	Single	10 - 12 awg	7.93	6.60	5.35
706-13-000141	13-000141	G	Female	20A	Single	12 - 14 awg	7.93	6.66	5.40
Solder Cup Version - with Bridged Signal Contacts									
706-13-000161	13-000161	H	Female	30A	Single	10 - 12 awg	9.35	7.78	6.31
706-13-000171	13-000171	H	Female	20A	Single	12 - 14 awg	9.82	8.17	6.63
Crimp Version									
706-13-000190	13-000190	I	Female	10A,20A,30A	Single	see contacts for AWG and current rating	1.58	1.42	1.24
Crimp Version with Bridged Signal Contacts									
706-13-000201	13-000201	J	Female	10A,20A,30A	Single	see contacts for AWG and current rating	3.62	3.26	2.60

HOODS

For quantities of 500 and up, call for quote.

MOUSER STOCK NO.	CONEC Part No.	Fig.	Description	Price Each		
				1	10	100
706-16-000010	16-000010	K	MicroTCA Low Profile Die Cast Hood w/ 2 bolts UNC 4-40 and 2 washers	16.24	14.62	13.05
706-13-000210	13-000210	L	MicroTCA Low Profile Hood Kit (includes Plastic Hood and 7W2 socket crimp connector with short screws)	8.13	6.77	5.49
706-13-000370	13-000370	L	MicroTCA Low Profile Hood Kit (includes Plastic Hood and 7W2 socket crimp connector with long screws)	10.22	8.62	6.99

CONTACTS

For quantities of 500 and up, call for quote.

MOUSER STOCK NO.	CONEC Part No.	Fig.	Gender	Power Contact Current Rating	Plating	Wire Gauge	Price Each		
							1	10	100
Power Crimp Contacts - For use with Fig K									
706-132C11039X	132C11039X	-	Female	30A	Au over Ni	10 - 12 awg	2.31	1.54	1.32
706-132C11029X	132C11029X	-	Female	20A	Au over Ni	12 - 14 awg	2.28	1.59	1.26
706-132C11019X	132C11019X	-	Female	10A	Au over Ni	16 - 20 awg	2.32	1.55	1.31
Signal Crimp Contacts									
706-162C18709X	162C18709X	-	Female	7.5A	Au over Ni	20 - 24 awg	.96	.88	.82
Power Crimp Contacts - Short version for use with Fig L									
706-13-000291	13-000291	-	Female	10A	Au over Ni	16 - 20 awg	1.91	1.72	1.55
706-13-000301	13-000301	-	Female	20A	Au over Ni	12 - 14 awg	1.91	1.72	1.55
706-13-000311	13-000311	-	Female	30A	Au over Ni	10 - 12 awg	1.91	1.72	1.55
706-13-000321	13-000321	-	Female	40A	Au over Ni	8 - 10 awg	1.91	1.72	1.55