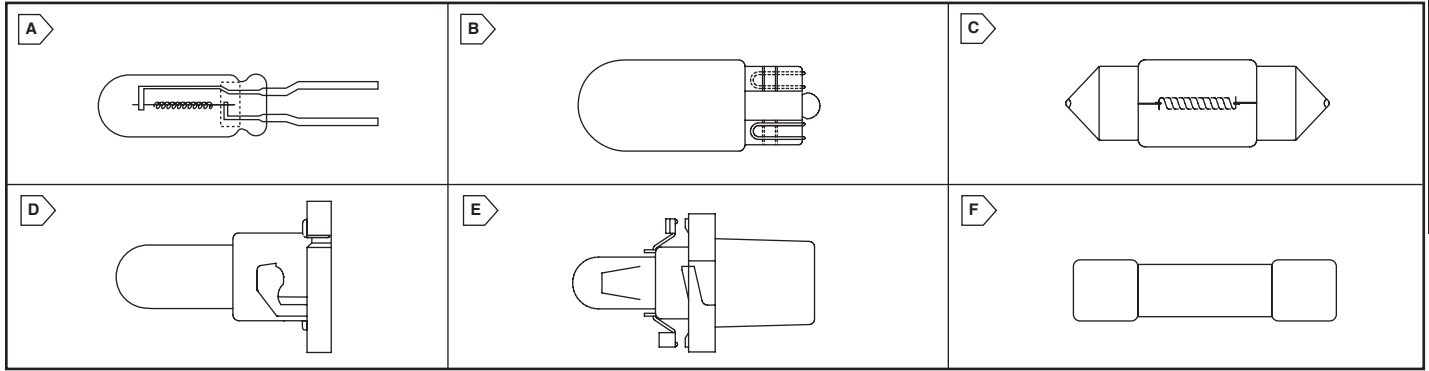


JKL COMPONENTS White Lamps and Accessories

Products may be RoHS compliant.
Check mouser.com for RoHS status.



GAS FILLED GLASS BI-PIN WHITE LIGHT BULB

For quantities of 250 and up, call for quote.

MOUSER STOCK NO.	JKL Components Part No.	Fig.	Description	Lamp Volts (V)	Lamp Current (A)	Length (mm)	Diameter (mm)	MSCP (CP)	LUMENS (Lm)	Average Life	Price Each			
											1	10	50	100
560-XE2405	XE2405	A	2 Bi-Pin	24	0.208	20.0	7.0	3.2	40.0	10000	2.38	2.14	1.90	1.66
560-XE2410	XE2410	A	2 Bi-Pin	24	0.417	20.0	7.0	7.6	95.0	10000	2.38	2.14	1.90	1.66

GAS FILLED GLASS WEDGE BASE WHITE LIGHT BULB

For quantities of 250 and up, call for quote.

MOUSER STOCK NO.	JKL Components Part No.	Fig.	Description	Lamp Volts (V)	Lamp Current (A)	Length (mm)	Diameter (mm)	MSCP (CP)	LUMENS (Lm)	Average Life	Price Each			
											1	10	50	100
560-XE112	XE112	B	T-3 1/4	12	0.270	26.8	10.3	3.0	37.6	1000	1.50	1.35	1.20	1.05
560-XE359	XE359	B	T-3 1/4	14	0.214	26.8	10.3	2.0	25.0	10000	1.50	1.35	1.20	1.05
560-XE659	XE659	B	T-3 1/4	28	0.220	26.8	10.3	4.38	55.0	5000	1.50	1.35	1.20	1.05

FESTOON INCANDESCENT LAMPS

For quantities of 250 and up, call for quote.

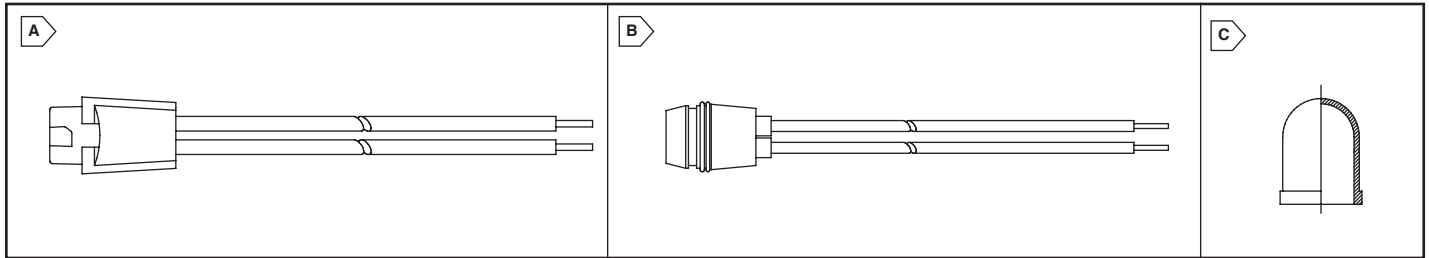
MOUSER STOCK NO.	JKL Components Part No.	Fig.	Description	Lamp Volts (V)	Lamp Current (A)	Length (mm)	Diameter (mm)	MSCP (CP)	LUMENS (Lm)	Average Life	Price Each			
											1	10	50	100
560-A3173B	A3173B	C	Axial	12	0.620	30.0	10.0	6.0	75	400	1.03	.92	.82	.72
560-A3175B	A3175B	C	Axial	12	0.770	30.0	10.0	9.5	120	400	1.03	.92	.82	.72

NEO-WEDGE INCANDESCENT LAMPS

For quantities of 250 and up, call for quote.

MOUSER STOCK NO.	JKL Components Part No.	Fig.	Description	Lamp Volts (V)	Lamp Current (A)	Length (mm)	Diameter (mm)	MSCP (CP)	LUMENS (Lm)	Average Life	Price Each			
											1	10	50	100
560-CNW123	CNW1-23	D	T-1	14	0.040	9.0	3.0	0.15	1.89	16000	.65	.59	.52	.46
560-DNW1DW10	DNW1-DW10	D	T-1 1/4	14	0.100	14.0	4.2	0.50	5.29	10000	.63	.56	.50	.44
560-ENW1EW87	ENW1-EW87	D	T-1 1/2	14	0.140	14.5	4.7	0.95	12.00	7000	.88	.79	.70	.61
560-WWT1EW10	WWT1-EW101GRN	E	PCB mount	14	0.100	21.9	4.7	0.50	6.29	6000	.75	.68	.60	.53
560-GF550	GF550	F	fuse style	6	0.200	31.0	6.4	0.40	5.03	5000	1.03	.92	.82	.72
560-GF780	GF780	F	fuse style	12	0.150	31.0	6.4	0.70	9.00	5000	1.03	.92	.82	.72

ACCESSORIES



Sockets for T-1/2 Glass Wedge Bulbs

For quantities of 1000 and up, call for quote.

MOUSER STOCK NO.	JKL Components Part No.	Fig.	Description	Price Each			
				1	10	50	100
560-2967-6G	2967-6G	A	6 inch leads	.65	.59	.52	.46
560-2948	2948	B	6 inch leads	.97	.86	.78	.71

Color Filters for T-3/4 Bulbs

For quantities of 1000 and up, call for quote.

MOUSER STOCK NO.	JKL Components Part No.	Fig.	Description	Price Each			
				1	10	50	100
560-39081A	39-08-1A	C	Red	.20	.18	.16	.14
560-39085A	39-08-5A	C	Blue	.20	.18	.16	.14
560-39084A	39-08-4A	C	Green	.20	.18	.16	.14
560-39083A	39-08-3A	C	Yellow	.20	.18	.16	.14

Color Filters for T-1 Bulbs

For quantities of 1000 and up, call for quote.

MOUSER STOCK NO.	JKL Components Part No.	Fig.	Description	Price Each			
				1	10	50	100
560-39021A	39-02-1A	C	Red	.20	.18	.16	.14
560-39025A	39-02-5A	C	Blue	.20	.18	.16	.14
560-39024A	39-02-4A	C	Green	.20	.18	.16	.14
560-39023A	39-02-3A	C	Yellow	.20	.18	.16	.14

Color Filters for T-3 1/4 Bulbs

For quantities of 1000 and up, call for quote.

MOUSER STOCK NO.	JKL Components Part No.	Fig.	Description	Price Each			
				1	10	50	100
560-39121A	39-12-1A	C	Red	.28	.25	.22	.19
560-39125A	39-12-5A	C	Blue	.28	.25	.22	.19
560-39124A	39-12-4A	C	Green	.28	.25	.22	.19
560-39123A	39-12-3A	C	Yellow	.28	.25	.22	.19