

FUJITSU microGiGaCN I/O Connectors

RoHS Compliant This product is RoHS compliant.

microGiGaCN HIGH SPEED I/O CONNECTORS

Designed for high speed differential signal applications such as 10G Ethernet, CX4, SAS, and SATA-2 applications. RoHS compliance per Fujitsu documentation.

Features:

- Matched Impedance: 100Ω ±10%
- Low insertion loss and low cross talk
- Adopted by InfinBand as 4x (4 channel) and 12x (12 channel) I/O Interface
- Meets Bellcore 1217
- Insulator Material: LCP Resin (UL94V-0)
- Conductor Material: Copper Alloy
- Contact Plating: Gold Plated

Specifications:

- Operating Temperature Range: -55°C to +105°C
- Current Rating: AC 0.5A (signal)
AC 1A (ground)
- Voltage Rating: AC 30V
- Contact Resistance: 80 mΩ max. (signal)
35 mΩ max. (ground)
- Insulation Resistance: 1000 MΩ minimum



RoHS Compliant

Socket Connectors

For quantities of 50 and up, call for quote.

MOUSER STOCK NO.	Fujitsu Part No.	Fig.	Polarization Posts	Solder Posts	Price Each			
					1	5	10	25
Latch Style with Alignment Post								
817-FCN-268D008-G1D	FCN-268D008-G/1D	A	---	0.063"	7.94	7.35	6.73	6.30
817-FCN-268D008-G1F	FCN-268D008-G/1F	A	---	0.093"	9.26	7.94	7.54	6.95
Latch Style with Crush Pin Feature								
817-FCN-268D008-G2D	FCN-268D008-G/2D	A	low force	0.063"	8.64	8.05	7.43	7.00
817-FCN-268D008-G2F	FCN-268D008-G/2F	A	low force	0.093"	7.94	7.35	6.73	6.30
Thumbscrew								
817-FCN-268D008-G20	FCN-268D008-G/20	B	low force	0.063"	9.02	8.35	7.64	7.16
817-FCN-268D008-G21	FCN-268D008-G/21	B	low force	0.093"	9.02	8.35	7.64	7.16
Latch Style w/ Mounting Ears								
817-FCN-268D008-G3LR	FCN-268D008-G/3L-R	C	diamond	0.063"	11.60	10.74	9.83	9.21
817-FCN-268D008-G3MR	FCN-268D008-G/3M-R	C	diamond	0.093"	11.60	10.74	9.83	9.21
Vertical Latch Style								
817-FCN-264D008-G2D	FCN-264D008-G/2D	D	low force	0.063"	11.86	10.98	10.05	9.41
817-FCN-264D008-G2F	FCN-264D008-G/2F	D	low force	0.093"	11.86	10.98	10.05	9.41

Loopback Modules

For quantities of 50 and up, call for quote.

MOUSER STOCK NO.	Fujitsu Part No.	Fig.	Number of Pairs	Price Each			
				1	5	10	25
817-FCN-261Z008	FCN-261Z008	E	8	35.72	33.07	30.27	28.35

microGiGaCN STACKING MEZZANINE CONNECTORS

Features:

- High speed matched impedance (100Ω) differential signal connector.
- Low cross talk
- Hot pluggable
- Insulator: LCP Resin (UL94V-0)
- Conductor: Copper Alloy
- Contact Plating: Au over Pd-Ni plated
- RoHS compliance per Fujitsu documentation

Specifications:

- Operating Temperature Range: -55°C to +105°C
- Current Rating: AC 0.5A (signal)
AC 1A (ground)
- Voltage Rating: AC 30V
- Contact Resistance: 80 mΩ max. (signal)
40 mΩ max. (ground)
- Insulation Resistance: 1000 MΩ minimum



RoHS Compliant

Socket Connectors

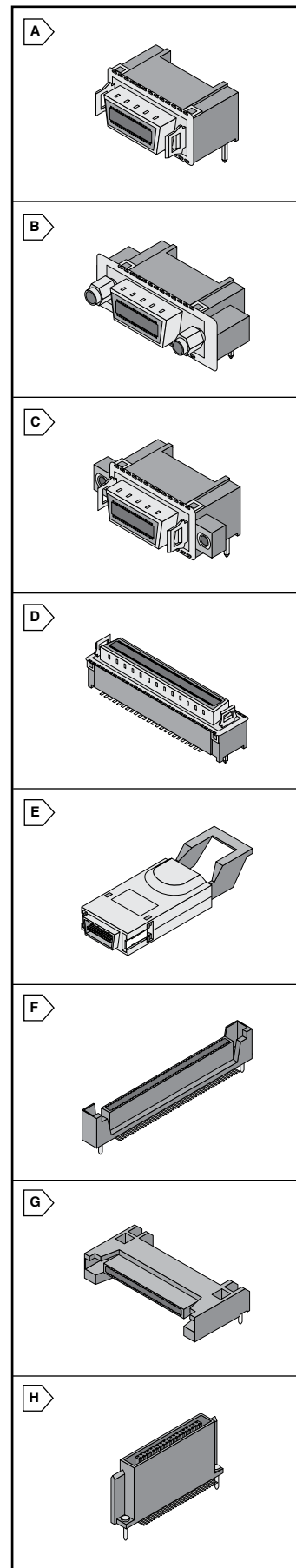
For quantities of 50 and up, call for quote.

MOUSER STOCK NO.	Fujitsu Part No.	Fig.	No. of Pair Signals	No. of Contacts	Price Each			
					1	5	10	25
Vertical Mount								
817-FCN-268F012-G0D	FCN-268F012-G/0D	F	12	24 Signal/13 Ground	3.08	2.85	2.61	2.44
817-FCN-268F024-G0D	FCN-268F024-G/0D	F	24	48 Signal/25 Ground	7.66	7.09	6.49	6.08
817-FCN-268F036-G0D	FCN-268F036-G/0D	F	36	72 Signal/37 Ground	11.54	10.69	9.78	9.16
Right Angle Mount								
817-FCN-268F012-GBD	FCN-268F012-G/BD	G	12	24 Signal/13 Ground	7.42	6.87	6.29	5.89

Plug Connectors

For quantities of 50 and up, call for quote.

MOUSER STOCK NO.	Fujitsu Part No.	Fig.	No. of Pairs	Stack Height	Price Each			
					1	5	10	25
Vertical Mount								
817-FCN-268M012-G0D	FCN-268M012-G/0D	H	12	8mm	5.94	5.50	5.03	4.71
817-FCN-268M012-G1D	FCN-268M012-G/1D	H	12	10mm	6.46	5.98	5.47	5.13
817-FCN-268M012-G2D	FCN-268M012-G/2D	H	12	12mm	6.68	6.19	5.66	5.30
817-FCN-268M012-G3D	FCN-268M012-G/3D	H	12	14mm	6.92	6.41	5.86	5.49
817-FCN-268M024-G0D	FCN-268M024-G/0D	H	24	8mm	9.32	8.63	7.90	7.40
817-FCN-268M024-G1D	FCN-268M024-G/1D	H	24	10mm	9.78	9.06	8.29	7.76
817-FCN-268M024-G3D	FCN-268M024-G/3D	H	24	14mm	10.68	9.89	9.05	8.48
817-FCN-268M036-G0D	FCN-268M036-G/0D	H	36	8mm	16.02	13.74	13.05	12.02
817-FCN-268M036-G3D	FCN-268M036-G/3D	H	36	14mm	15.38	14.24	13.03	12.21



Data/Network/Telecom

Fujitsu