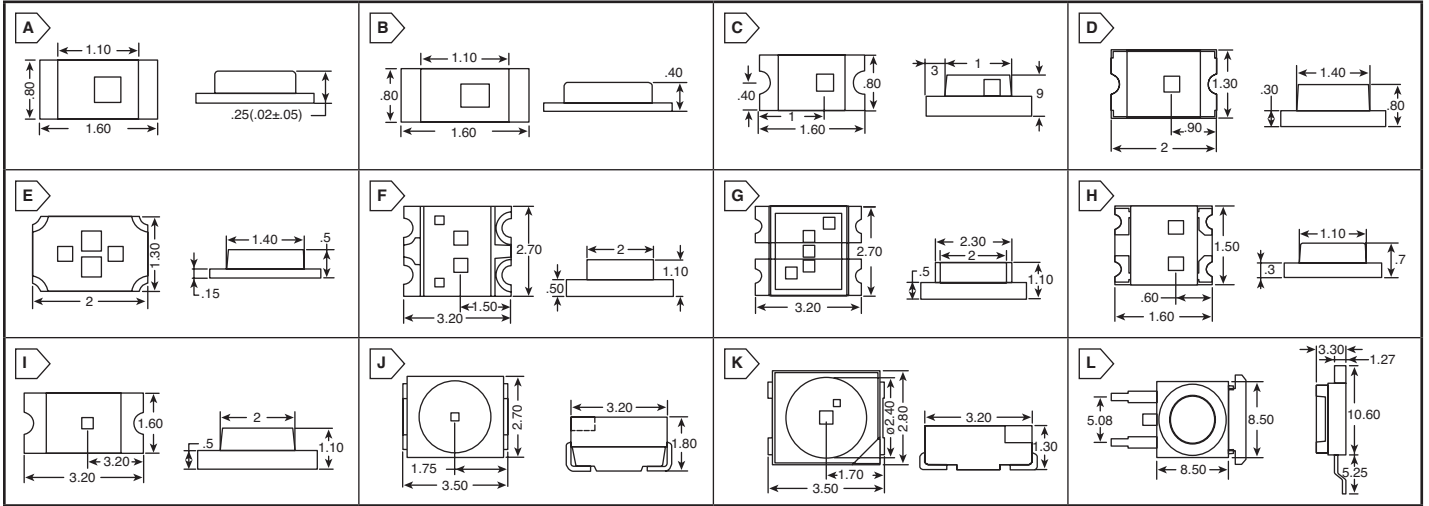


# HARVATEK Standard, Mid, and Hi-Power LEDs HARVATEK

RoHS Compliant This product is RoHS compliant.

LED Indication  
Harvatek



For quantities of 500 and up, call for quote.

MOUSER STOCK NO.	Harvatek Part No.	Fig.	Size	Emitting Color	Wavelength	Intensity (Typ.)	Forward Voltage	Forward Current	Price Each			
									1	10	50	100
743-HT-F199USD5	HT-F199USD5-5493	A	0603	Ultra Bright Red	622 nm	120 mcd	1.9 V	20 mA	.24	.216	.173	.151
743-HT-F199NG5	HT-F199NG5-5491	A	0603	True Green	527 nm	160 mcd	3.3 V	20 mA	.35	.31	.263	.219
743-HT-F199NB5	HT-F199NB5-5490	A	0603	Blue	470 nm	90 mcd	3.3 V	20 mA	.35	.31	.263	.219
743-HT-F199TW5	HT-F199TW5-5492	A	0603	White	- - -	250 mcd	3.3 V	20 mA	.52	.45	.41	.37
743-HT-F195USD	HT-F195USD-5498	B	0603	Ultra Bright Red	622 nm	120 mcd	1.9 V	20 mA	.24	.216	.173	.151
743-HT-F195UY	HT-F195UY-5499	B	0603	Ultra Bright Yellow	591 nm	90 mcd	1.9 V	20 mA	.24	.216	.173	.151
743-HT-F195UYG	HT-F195UYG-5500	B	0603	Ultra Bright Yellow/Green	573 nm	60 mcd	2.0 V	20 mA	.25	.223	.178	.156
743-HT-F195NG	HT-F195NG-5501	B	0603	True Green	527 nm	160 mcd	3.3 V	20 mA	.35	.31	.263	.219
743-HT-F195NB	HT-F195NB-5496	B	0603	Blue	470 nm	90 mcd	3.3 V	20 mA	.35	.31	.263	.219
743-HT-F195TW	HT-F195TW-5497	B	0603	White	- - -	250 mcd	3.3 V	20 mA	.52	.45	.41	.37
743-HT-191UR	HT-191UR-5311	C	0603	Deep Red	643 nm	16 mcd	1.8 V	20 mA	.24	.216	.173	.151
743-HT-191URO	HT-191URO-5502	C	0603	Ultra Bright Deep Red	632 nm	120 mcd	1.9 V	20 mA	.22	.199	.159	.139
743-HT-191USD	HT-191USD-5313	C	0603	Ultra Bright Red	622 nm	120 mcd	1.9 V	20 mA	.22	.199	.159	.139
743-HT-191YG	HT-191YG-5310	C	0603	Yellow Green	573 nm	20 mcd	2.2 V	20 mA	.20	.186	.149	.13
743-HT-191UYG	HT-191UYG-5309	C	0603	Ultra Bright Yellow/Green	573 nm	60 mcd	2 V	20 mA	.22	.199	.159	.139
743-HT-191NB	HT-191NB-5312	C	0603	Blue	470 nm	40 mcd	3.3 V	20 mA	.32	.28	.24	.20
743-HT-170URO	HT-170URO-5512	D	0805	Ultra Bright DeepRed	645 nm	40 mcd	1.9 V	20 mA	.23	.209	.167	.146
743-HT-170UR	HT-170UR-5511	D	0805	Deep Red	643 nm	21 mcd	1.8 V	20 mA	.19	.159	.127	.111
743-HT-170SD	HT-170SD-5509	D	0805	Red	629 nm	14 mcd	2.1 V	20 mA	.19	.155	.124	.109
743-HT-170USD	HT-170USD-5305	D	0805	Ultra Bright Red	622 nm	60 mcd	1.9 V	20 mA	.24	.216	.173	.151
743-HT-170D	HT-170D-5506	D	0805	Amber	608 nm	9 mcd	2.1 V	20 mA	.19	.155	.124	.109
743-HT-170UY	HT-170UY-5513	D	0805	Ultra Bright Yellow	591 nm	90 mcd	1.9 V	20 mA	.21	.189	.151	.132
743-HT-170YG	HT-170YG-5304	D	0805	Yellow Green	573 nm	18 mcd	2.2 V	20 mA	.19	.169	.135	.118
743-HT-170UYG	HT-170UYG-5306	D	0805	Ultra Bright Yellow/Green	573 nm	50 mcd	2 V	20 mA	.22	.203	.162	.142
743-HT-170NG	HT-170NG-5508	D	0805	True Green	527 nm	140 mcd	3.3 V	20 mA	.57	.49	.45	.41
743-HT-170NB	HT-170NB-5507	D	0805	Blue	470 nm	80 mcd	3.3 V	20 mA	.35	.31	.263	.219
743-HT-170TW	HT-170TW-5510	D	0805	White	- - -	220 mcd	3.3 V	20 mA	.52	.45	.41	.37
743-HT-372FCH	HT-372FCH-5504	E	0805	Ultra Bright Red/True Green/Blue	622,527, 470 nm	120,200, 90 mcd	1.9, 3.3, 3.3 V	20 mA	.84	.76	.68	.62
743-HT-374FCH	HT-374FCH-5505	E	0805	Ultra Bright Red/True Green/Blue	622,527, 470 nm	120,200, 90 mcd	1.9, 3.3, 3.3 V	20 mA	1.28	1.15	1.03	.95
743-HT-USDUYG	HT-155USD/UGY-5847	F	1210	Red/Green	573 nm	90mcd	1.9/2.0	20 mA	.35	.31	.263	.219
743-HT-358FCH	HT-358FCH-5537	G	1210	Ultra Bright Red/True Green/Blue	622,527, 470 nm	140,200, 90 mcd	1.9, 3.3, 3.3 V	20 mA	.84	.76	.68	.62
743-HT-363FCH	HT-363FCH-5503	--	- - -	Red/Green/Blue	622,527, 470 nm	112,180, 71.5 mcd	1.9, 3.3, 3.3	20 mA	.75	.68	.60	.56
743-HT-264UYG/USD	HT-264UYG/USD-5522	H	0606	Red / Green	622 / 573 nm	150 / 60 mcd	2.0 V	20 mA	.30	.26	.223	.186
743-HT-150UR	HT-150UR-5519	I	1206	Deep Red	643 nm	21 mcd	1.8 V	20 mA	.19	.159	.127	.111
743-HT-150URO	HT-150URO-5520	I	1206	Ultra Bright Deep Red	632 nm	95 mcd	1.9 V	20 mA	.24	.216	.173	.151
743-HT-150SD	HT-150SD-5517	I	1206	Red	629 nm	14 mcd	2.1 V	20 mA	.17	.145	.116	.102
743-HT-150USD	HT-150USD-5521	I	1206	Ultra Bright Red	622 nm	120 mcd	1.9 V	20 mA	.22	.196	.157	.137
743-HT-150D	HT-150D-5514	I	1206	Amber	608 nm	9 mcd	2.1 V	20 mA	.17	.142	.113	.099
743-HT-150YG	HT-150YG-5536	I	1206	Yellow Green	573 nm	20 mcd	2.2 V	20 mA	.18	.149	.119	.104
743-HT-150UYG	HT-150UYG-5307	I	1206	Ultra Bright Yellow/Green	573 nm	60 mcd	2 V	20 mA	.25	.23	.184	.161
743-HT-150NG	HT-150NG-5516	I	1206	True Green	527 nm	160 mcd	3.3 V	20 mA	.61	.53	.48	.44
743-HT-150NB	HT-150NB-5515	I	1206	Blue	470 nm	70 mcd	3.3 V	20 mA	.35	.31	.263	.219
743-HT-150TW	HT-150TW-5518	I	1206	White	- - -	220 mcd	3.3 V	20 mA	.52	.45	.41	.37
743-HT-T169USD	HT-T169USD-5542	J	PLCC2	Ultra Bright Red	190 nm	1.9 V	20 mA	.25	.23	.184	.161	
743-HT-T169UD	HT-T169UD-5541	J	PLCC2	Ultra Bright Amber	606 nm	190 mcd	1.9 V	20 mA	.25	.23	.184	.161
743-HT-T169YG	HT-T169YG-5544	J	PLCC2	Yellow Green	573 nm	560 mcd	1.9 V	20 mA	.22	.20	.16	.14
743-HT-T169UYG	HT-T169UYG-5543	J	PLCC2	Yellow Green	573 nm	70 mcd	1.9 V	20 mA	.25	.23	.184	.161
743-HT-T169NG	HT-T169NG-5539	J	PLCC2	True Green	527 nm	400 mcd	3.9 V	20 mA	.63	.54	.50	.45
743-HT-T169NB	HT-T169NB-5538	J	PLCC2	Blue	470 nm	470 mcd	3.3 V	20 mA	.38	.31	.271	.235
743-HT-T169TW	HT-T169TW-5540	J	PLCC2	White	- - -	1000 mcd	3.3 V	20 mA	.53	.45	.41	.38
743-HT-U16DURDH	HT-U16DURDH-5466	K	PLCC	Ultra Bright Deep Red	645 nm	2400 mcd	2.6 V	150 mA	.83	.74	.66	.61
743-HT-U16DUSDH	HT-U16DUSDH-5467	K	PLCC	Ultra Bright Red	622 nm	4600 mcd	2.6 V	150 mA	.83	.74	.66	.61
743-HT-U16DUYH	HT-U16DUYH-5489	K	PLCC	Yellow	589 nm	2850 mcd	2.6 V	150 mA	.75	.68	.60	.56
743-HT-U16DNGH	HT-U16DNGH-5469	K	PLCC	True Green	527 nm	9200 mcd	3.6 V	150 mA	1.25	1.13	1.00	.93
743-HT-U16DNBH	HT-U16DNBH-5468	K	PLCC	Blue	468 nm	1400 mcd	3.3 V	150 mA	1.10	.99	.88	.81
743-HT-U16DSWH	HT-U16DSWH-5316	K	PLCC	White	- - -	11250 mcd	3.3 V	150 mA	1.13	1.01	.90	.83
743-HT-A178TWU	HT-A178TWU-5315	L	TO-220	White	3000-9000K	75 lm	3.5 V	350 mA	3.88	3.49	3.10	2.87
743-HT-N178TWW	HT-N178TWW-5314	L	TO-220	White	3000-9000K	140 lm	3.5 V	700 mA	4.75	4.28	3.80	3.52