

JOHNSON COMPONENTS RF Connectors



SMA QUICK-CONNECT

The Johnson SMA Quick-Connect plug can quickly mate to a standard, threaded SMA jack receptacle allowing rapid test connections to devices utilizing SMA threaded jacks. Full Mil-C-39012 electrical compatibility is obtained with a push and twist motion. The SMA Quick-Connect plug adapter converts a standard SMA plug test cable into a Quick-Connect cable.

- Coupling Hardware: Nickel plated
- Frequency Range: 0-12.4 GHz Plugs, 0-18GHz Adapter
- VSWR: 1.15 +.02f(GHz) Plugs, 1.05 +.005f(GHz) Adapter
- Contact Plating: Gold



RoHS Compliant

For quantities of 25 and up, call for quote.

MOUSER STOCK NO.	Johnson Components Part No.	Fig.	Body Plating	Description	Price Each		
					1	5	10
Plugs							
530-142-1403-001	142-1403-001	A	Gold	RG-161/U, 174, 188, 316	37.31	34.64	32.33
530-142-1407-001	142-1407-001	A	Gold	RG-58/U, 141, 303	45.95	40.65	32.52
Adapter							
530-142-1901-821	142-1901-821	B	Gold	Converts SMA Jack to SMA Plug	54.59	48.42	44.22

SMA JACK RECEPTACLES

- Impedance: 50Ω
- Frequency Range: 0-18GHz
- Temperature Range: -65°C to +165°C
- Contact Plating: Gold
- Engagement design: MIL-C-39012



RoHS Compliant

For quantities of 100 and up, call for quote.

MOUSER STOCK NO.	Johnson Components Part No.	Fig.	Body Plating	Description	Price Each		
					1	10	25
Panel Jacks							
530-142-0701-411	142-0701-411	C	Gold	Bulkhead, Front Mount, Solder Cup	8.88	7.47	6.27
530-142-0701-401	142-0701-401	D	Gold	Bulkhead, Rear Mount, Solder Cup	6.68	5.84	5.22
530-142-0701-631	142-0701-631	E	Gold	4 Hole Flange Mount, Flush Dielectric, Solder Cup	9.23	8.58	6.86
530-142-0701-621	142-0701-621	F	Gold	2 Hole Flange Mount, Flush Dielectric, Solder Cup	6.62	5.88	5.33
Vertical PCB Jacks							
530-142-0701-201	142-0701-201	G	Gold	Round Base, .155" Legs, Thru-Hole	2.81	2.56	2.36
530-142-0701-206	142-0701-206	G	Nickel	Round Base, .155" Legs, Thru-Hole	6.71	5.93	4.75
530-142-0701-231	142-0701-231	G	Gold	Round Base, .110" Legs, Thru-Hole	2.85	2.60	2.37
530-1420701211	142-0701-211	H	Gold	Square Base, .155" Legs, Thru-Hole	8.18	7.31	6.41
530-142-0701-831	142-0701-231	H	Gold	End Launch, .042" legs, Round Contact	8.50	7.20	5.87
530-142-0711-201	142-0711-201	I	Gold	Square Base, .050" Legs, Surface Mount	3.15	2.85	2.60
Right-Angle PCB Jacks							
530-142-0701-301	142-0701-301	J	Gold	Round Base, .155" Legs, Thru-hole, Solder Type	7.70	6.38	5.78
530-142-0711-301	142-0711-301	K	Gold	Square Base, .050" Legs, Surface Mount	12.73	11.26	9.01
530-142-0701-501	142-0701-501	L	Gold	Square Base, .155" Legs, Bulkhead, Thru-Hole	10.49	8.74	7.98
530-142-0701-506	142-0701-506	L	Nickel	Square Base, .155" Legs, Bulkhead, Thru-hole	13.72	12.11	9.34
530-142-0701-551	142-0701-551	L	Gold	Square Base, .110" Legs, Bulkhead, Thru-hole	14.67	12.89	11.31

SMA HIGH FREQUENCY EDGE MOUNT CONNECTORS

- Impedance: 50Ω
- Frequency Range: 0-26.5 GHz
- Insulator: PTFE
- Contact Plating: Gold
- Body: Brass
- Body Plating: Gold
- Temperature Range: -65°C to +165°C
- Offers low VSWR
- Low insertion force over a wide bandwidth



RoHS Compliant

For quantities of 100 and up, call for quote.

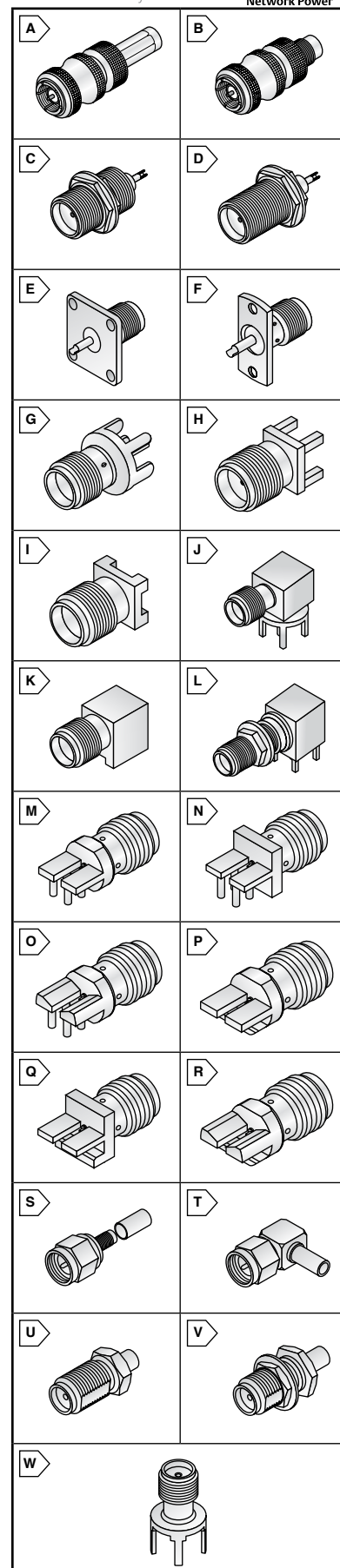
MOUSER STOCK NO.	Johnson Components Part No.	Fig.	Body Plating	Description	Price Each		
					1	10	25
Right-Angle PCB Jacks							
530-142-0761-801	142-0761-801	M	.010	Round Body, .093" Legs, Thru-Hole	12.29	10.88	8.70
530-142-0761-821	142-0761-821	M	.015	Round Body, .093" Legs, Thru-Hole	15.16	13.42	10.74
530-142-0761-831	142-0761-831	N	.015	Square Body, .120" Legs, Thru-Hole	11.30	10.27	9.42
530-142-0761-811	142-0761-811	N	.010	Square Body, .120" Legs, Thru-Hole	11.04	9.77	9.24
530-142-0761-881	142-0761-881	O	.010	Round Body, .093" Legs, Thru-Hole, Thick Legs	9.76	8.85	7.65
530-142-0771-821	142-0771-821	O	.015	Round Body, .093" Legs, Thru-Hole, Thick Legs	15.40	13.64	10.91
Straight Jacks							
530-142-0761-841	142-0761-841	P	.010	.062" Board Thickness, Round Body, .218" Wide	9.92	8.79	7.02
530-142-0761-861	142-0761-861	P	.015	.062" Board Thickness, Round Body, .218" Wide	12.08	10.48	8.55
530-142-0761-851	142-0761-851	Q	.010	.062" Board Thickness, Square Body, .250" Wide	12.89	11.41	9.13
530-142-0761-871	142-0761-871	Q	.015	.062" Board Thickness, Square Body, .250" Wide	12.09	10.70	8.57
530-142-0761-891	142-0761-891	R	.010	.062" Board, Round Body, .218" Wide, Thick Legs	12.90	11.42	9.14
530-142-0771-831	142-0771-831	R	.015	.062" Board, Round Body, .218" Wide, Thick Legs	8.56	7.93	7.41

STAINLESS STEEL SMA CONNECTORS

- Impedance: 50Ω
- Frequency Range: up to 26.5 GHz
- Cable contacts are captivated upon assembly
- Flexible cable contacts can be crimped or soldered
- Contact Plating: Gold
- Body Plating: Passivated/Gold plating where soldering is required

For quantities of 100 and up, call for quote.

MOUSER STOCK NO.	Johnson Components Part No.	Fig.	Body Plating	Description / Cable Type	RoHS	Price Each		
						1	10	25
Straight Plugs (3 Piece) - Crimp - Flexible Cable - Captivated Contact Passivated								
530-141-0407-012	141-0407-012	S	Passivated	RG58/U, 141, 303, LMR195, HPF195, RF195	No	7.90	7.13	6.71
530-141-0408-012	141-0408-012	S	Passivated	RG55/U, 142, 223, 400	No	8.97	8.33	7.77
Right Angle Plugs - Crimp - Flexible Cable - Captivated Contact Passivated								
530-141-0403-102	141-0403-102	T	Passivated	RG161/U, 174, 188, 316	Yes	29.24	25.02	22.89
530-141-0407-102	141-0407-102	T	Passivated	RG58/U, 141 303	Yes	24.68	21.88	20.06
530-141-0408-102	141-0408-102	T	Passivated	RG55/U, 142, 223, 400	Yes	28.38	24.05	19.62
Straight Jack - Solder - Semi-Rigid Cable Gold								
530-141-0594-001	141-0594-001	U	Gold	.141	No	10.10	8.55	7.95
Straight Bulkhead Jack (3 Piece) - Crimp - Flexible Cable - Captivated Contact Passivated								
530-141-0307-412	141-0307-412	V	Passivated	RG58/U, 141 303	No	11.22	9.51	7.75
Vertical PCB Jack - Gold								
530-141-0701-201	141-0701-201	W	Gold	Round Base, .155" Legs, Thru-Hole	No	17.13	15.71	14.09



RF Connectors Johnson Components