

AMPHENOL Reverse Polarity RF Connectors Amphenol®

RoHS Compliant. This product is RoHS compliant.

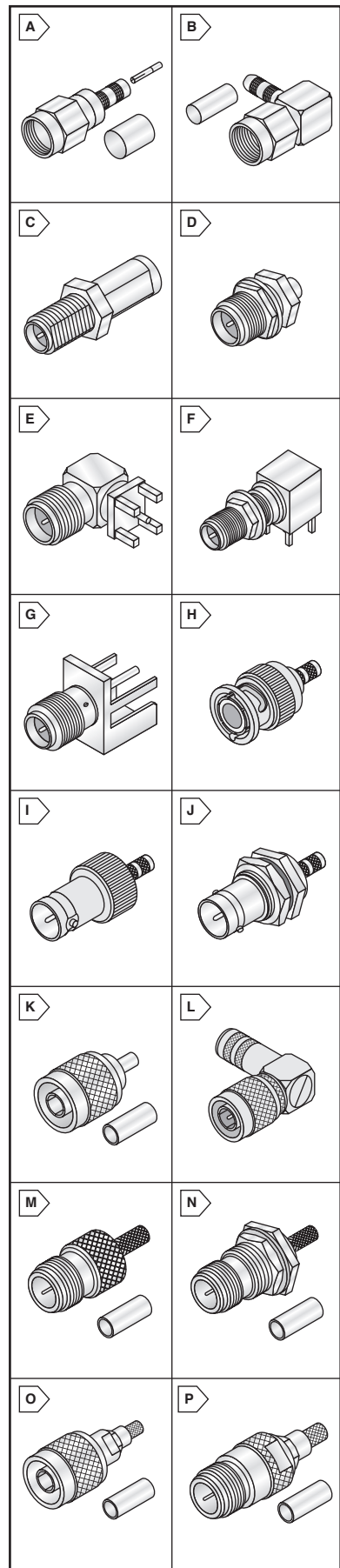
REVERSE POLARITY SMA CONNECTORS

Reverse Polarity connectors employ female contacts in the plug connector and male contacts in the jack connector. SMA-RP will not mate with standard SMA Connectors.

- Impedance: 50Ω
- Frequency Range: 0-6GHz
- Body Material: Brass
- Finish: Gold

For quantities of 500 and up, call for quote.

MOUSER STOCK NO.	Amphenol Part No.	Fig.	Description	Cable	Crimp Tool	Price Each			
						1	10	25	100
523-132114RP	132114RP	A	Straight Crimp Plug	LMR100 / RG316, 174	47-10070	5.30	5.09	4.86	4.44
523-132113RP	132113RP	A	Straight Crimp Plug	LMR195 / RG58	47-10150	4.59	4.07	3.64	3.37
523-132195RP	132195RP	A	Straight Crimp Plug	RG223, 142	47-10070	4.18	3.80	3.58	3.32
523-132231RP	132231RP	A	Straight Crimp Plug	LMR 240 / RG8X	47-10070	6.81	6.20	5.52	5.12
523-132298RP	132298RP	A	Straight Crimp Plug	LMR 400/Belden 9913, 9914	47-10210	13.84	12.65	10.30	9.34
523-132122RP	132122RP	B	Right Angle Crimp Plug	LMR 195 / RG58	47-10070	5.53	5.08	4.70	4.37
523-132123RP	132123RP	B	Right Angle Crimp Plug	LMR100 / RG316, 174	47-10150	6.01	5.47	5.01	4.62
523-132116RP	132116RP	C	Straight Crimp Jack	LMR 195 / RG58	47-10070	3.95	3.67	3.40	3.15
523-132240RP	132240RP	C	Straight Crimp Jack	8X/LMR 240 / B7808A	47-10070	5.24	4.76	4.52	4.41
523-132117RP	132117RP	C	Straight Crimp Jack	LMR100 / RG316, 174	47-10150	3.77	3.43	3.05	2.84
523-132240RP	132240RP	C	Straight Crimp Jack	RG, 8X, LMR240/B7808A	47-10070	5.24	4.76	4.52	4.41
523-132118RP	132118RP	D	Bulkhead Crimp Jack	LMR 195 / RG58	47-10070	4.96	4.55	4.20	3.91
523-132119RP	132119RP	D	Bulkhead Crimp Jack	LMR 100 / RG 316, 174	47-10150	4.00	3.77	3.51	3.16
523-132220RP	132220RP	D	Bulkhead Crimp Jack	RG178, 196	47-10150	6.24	5.68	5.06	4.69
523-132136RP	132136RP	E	Right Angle PCB Jack	---	---	5.07	4.61	4.35	4.02
523-132203RP	132203RP	F	Right Angle Bulkhead PCB Jack	---	---	8.86	7.93	7.23	6.75
523-132255RP	132255RP	G	Edge Mount PCB Jack, .062	---	---	5.82	5.24	4.83	4.44



RF Connectors Amphenol

REVERSE POLARITY BNC CONNECTORS

Reverse Polarity connectors employ female contacts in the plug connector and male contacts in the jack connector. BNC-RP will not mate with standard BNC Connectors.

- Impedance: 50Ω
- Frequency range: 0-4GHz
- Body Material: Brass
- Body Plating: Nickel
- Contact Plating: Gold

For quantities of 500 and up, call for quote.

MOUSER STOCK NO.	Amphenol Part No.	Fig.	Description	Cable	Crimp Tool	Price Each			
						1	10	25	100
523-112132RP	112132RP	H	Straight Crimp Plug	LMR 100 / RG 316	47-10150	3.16	2.87	2.55	2.37
523-112116RP	112116RP	H	Straight Crimp Plug	LMR 195 / RG 58, 141	47-10070	2.67	2.35	2.17	1.97
523-112514RP	112514RP	H	Straight Crimp Plug	RG 223, 142, 400	47-10070	3.42	3.13	2.75	2.52
523-112533RP	112533RP	H	Straight Crimp Plug	LMR 240 / RG8X	47-10070	2.67	2.43	2.16	2.01
523-112563RP	112563RP	H	Straight Crimp Plug	LMR 400 / B9913	47-10210	5.99	5.44	4.85	4.50
523-112144RP	112144RP	I	Straight Crimp Jack	LMR 195 / RG 58, 141	47-10070	2.83	2.58	2.29	2.13
523-112234RP	112234RP	J	Bulkhead Crimp Jack	LMR 100 / RG 316	47-10150	4.43	4.02	3.58	3.56
523-112505RP	112505RP	J	Bulkhead Crimp Jack	55/142/223/400	47-10070	4.40	4.02	3.47	3.17

REVERSE POLARITY TNC CONNECTORS

Reverse Polarity connectors employ female contacts in the plug connector and male contacts in the jack connector. TNC-RP will not mate with standard TNC Connectors.

- Impedance: 50Ω
- Frequency range: 0-4GHz
- Body Material: Brass
- Body Plating: Nickel
- Contact Plating: Gold

For quantities of 500 and up, call for quote.

MOUSER STOCK NO.	Amphenol Part No.	Fig.	Description	Cable	Crimp Tool	Price Each			
						1	10	25	100
523-122116RP	122116RP	K	Straight Crimp Plug	LMR 100 / RG 316	47-10150	2.78	2.55	2.28	2.12
523-122108RP	122108RP	K	Straight Crimp Plug	LMR 195 / RG 58	47-10070	2.35	2.14	2.01	1.84
523-122372RP	122372RP	K	Straight Crimp Plug	RG 223, 142, 400	47-10070	5.12	4.79	4.33	4.11
523-122394RP	122394RP	K	Straight Crimp Plug	RG 8 / 213	47-10090	6.27	5.71	5.09	4.71
523-122408RP	122408RP	K	Straight Crimp Plug	LMR 240 / RG8X	47-10070	3.45	3.10	2.85	2.63
523-122393RP	122393RP	K	Straight Crimp Plug	LMR 400 / B9913	47-10210	6.62	6.02	5.36	4.72
523-122140RP	122140RP	L	Right Angle Crimp Plug	RG 58,58C	---	4.73	4.26	3.87	3.43
523-122138RP	122138RP	M	Straight Crimp Jack	LMR 100 / RG 316	47-10150	2.14	1.95	1.73	1.61
523-122122RP	122122RP	M	Straight Crimp Jack	LMR 195 / RG 58	47-10070	2.87	2.61	2.32	2.16
523-122409RP	122409RP	M	Straight Crimp Jack	LMR 240 / RG8X	47-10070	2.70	2.37	2.18	1.97
523-122392RP	122392RP	M	Straight Crimp Jack	LMR 400 / B9913	47-10210	4.69	4.28	3.81	3.52
523-122192RP	122192RP	N	Bulkhead Crimp Jack	LMR 100 / RG 316	47-10150	5.39	4.87	4.44	3.96
523-122160RP	122160RP	N	Bulkhead Crimp Jack	LMR 195 / RG 58, 141	47-10070	4.72	4.27	3.91	3.61
523-122370RP	122370RP	N	Bulkhead Crimp Jack	RG 178/196	47-10150	6.14	5.59	4.97	4.01

REVERSE POLARITY N CONNECTORS

Reverse Polarity connectors employ female contacts in the plug connector and male contacts in the jack connector. N-RP will not mate with standard N Connectors.

- Impedance: 50Ω
- Frequency range: 0-4GHz
- Body Material: Brass
- Body Plating: Nexcote
- Contact Plating: Gold

For quantities of 500 and up, call for quote.

MOUSER STOCK NO.	Amphenol Part No.	Fig.	Description	Cable	Crimp Tool	Price Each			
						1	10	25	100
523-172100RP	172100RP	O	Straight Crimp Plug	LMR 195 / RG 58	47-10180	7.12	6.20	5.20	4.14
523-172135RP	172135RP	O	Straight Crimp Plug	LMR 240 / RG8X	47-10180	8.10	7.41	6.46	5.63
523-172102H243RP	172102H243RP	O	Straight Crimp Plug	LMR 400 / B9913	47-10210	6.78	6.19	4.57	4.33
523-172103RP	172103RP	P	Straight Crimp Jack	LMR 195 / RG 58	47-10180	4.53	4.11	3.65	3.40
523-172129	172129	-	Bulkhead Crimp Jack	174/188A/316/B7805A	47-10150	5.82	5.27	4.85	4.46