

# BOURNS SMD Power Inductors

BOURNS®

RoHS Compliant This product is RoHS compliant.

## SDR SERIES LEAD FREE NON-SHIELDED POWER INDUCTORS

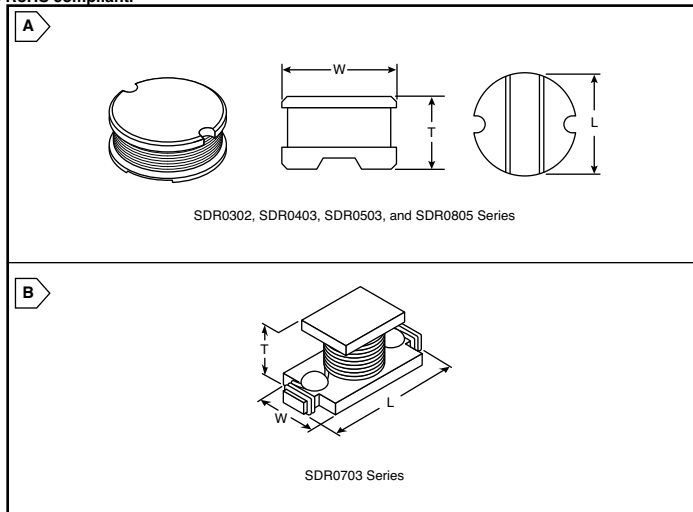
- Features:**
- Available in E12 Series
  - SDR0302 and SDR0403 Series: Low Inductance Values
  - SDR0503 Series: High Inductance of 15mH
  - RoHS Compliant

- Applications:**
- Input/output of DC/DC Converters
  - Portable Communication Equipment
  - Camcorders
  - LCD TVs
  - Car Radios



For quantities of 5000 and up, call for quote.

Series	Dimensions: mm (in.)			Price Each		Reel Quantity	Price Per Reel
	Length (L)	Width (W)	Thickness (T)	1	100		
SDR0302	2.8 (.110)	3.0 (.118)	2.5 (.098)	.46	.36	2000	.24
SDR0403	4.0 (.157)	4.5 (.177)	3.2 (.126)	.46	.36	2000	.23
SDR0503	4.8 (.189)	5.0 (.197)	3.0 (.118)	.45	.33	500	.28
SDR0805	7.8 (.307)	7.8 (.307)	5.3 (.209)	.56	.44	1000	.24
SDR0703	6.5 (.256)	4.5 (.177)	2.7 (.106)	.53	.41	500	.26



### SDR0302 Series

MOUSER STOCK NO.		Fig.	Value uF	Q (min.)	Test Freq. (MHz)	SRF MHz (min.)
Mfr.	Mfr. Part No.					
652—SDR0302-2R2ML	A	2.2	22	7.96	75.0	
652—SDR0302-2R7ML	A	2.7	22	7.96	72.0	
652—SDR0302-3R3ML	A	3.3	23	7.96	68.0	
652—SDR0302-5R6ML	A	5.6	18	7.96	42.0	
652—SDR0302-8R2ML	A	8.2	16	7.96	35.0	
652—SDR0302-220ML	A	22	23	2.52	22.0	
652—SDR0302-270ML	A	27	23	2.52	20.0	
652—SDR0302-330KL	A	33	20	2.52	18.0	
652—SDR0302-390KL	A	39	24	2.52	18.0	
652—SDR0302-470KL	A	47	23	2.52	17.0	
652—SDR0302-560KL	A	56	18	2.52	16.0	
652—SDR0302-680KL	A	68	24	2.52	14.0	
652—SDR0302-820KL	A	82	24	2.52	12.0	
652—SDR0302-331KL	A	330	40	0.796	6.0	
652—SDR0302-391KL	A	390	40	0.796	5.5	
652—SDR0302-561KL	A	560	43	0.796	4.8	
652—SDR0302-821KL	A	820	45	0.796	4.0	

### SDR0503 Series (Cont.)

MOUSER STOCK NO.		Fig.	Value uF	Q (min.)	Test Freq. (MHz)	SRF MHz (min.)
Mfr.	Mfr. Part No.					
652—SDR0503-181KL	A	180	40	0.796	7.0	
652—SDR0503-271KL	A	270	35	0.796	6.0	
652—SDR0503-331KL	A	330	30	0.796	5.0	
652—SDR0503-471KL	A	470	30	0.796	5.0	
652—SDR0503-561KL	A	560	30	0.796	4.0	
652—SDR0503-102KL	A	1000	40	0.252	3.0	
652—SDR0503-152JL	A	1500	40	0.252	2.0	
652—SDR0503-182JL	A	1800	40	0.252	2.0	
652—SDR0503-222JL	A	2200	40	0.252	2.0	
652—SDR0503-272JL	A	2700	40	0.252	2.0	
652—SDR0503-332JL	A	3300	40	0.252	2.0	
652—SDR0503-472JL	A	4700	40	0.252	1.0	
652—SDR0503-562JL	A	5600	40	0.252	1.0	
652—SDR0503-682JL	A	6800	40	0.252	1.0	
652—SDR0503-822JL	A	8200	40	0.252	1.0	
652—SDR0503-103JL	A	10000	30	0.0796	1.0	

### SDR0403 Series

652—SDR0403-1R0ML	A	1.0	28	7.96	150.0
652—SDR0403-1R4ML	A	1.4	28	7.96	110.0
652—SDR0403-1R8ML	A	1.8	28	7.96	90.0
652—SDR0403-2R2ML	A	2.2	28	7.96	80.0
652—SDR0403-3R9ML	A	3.9	28	7.96	55.0
652—SDR0403-5R6ML	A	5.6	28	7.96	45.0
652—SDR0403-6R8ML	A	6.8	28	7.96	40.0
652—SDR0403-8R2ML	A	8.2	28	7.96	36.0
652—SDR0403-100ML	A	10	28	2.52	33.0
652—SDR0403-120ML	A	12	28	2.52	30.0
652—SDR0403-150ML	A	15	28	2.52	28.0
652—SDR0403-180ML	A	18	25	2.52	23.0
652—SDR0403-220ML	A	22	25	2.52	20.0
652—SDR0403-270KL	A	27	23	2.52	17.0
652—SDR0403-330KL	A	33	23	2.52	15.0
652—SDR0403-390KL	A	39	20	2.52	14.0
652—SDR0403-470KL	A	47	20	2.52	13.0
652—SDR0403-680KL	A	68	20	2.52	11.0
652—SDR0403-101KL	A	100	35	0.796	9.0
652—SDR0403-221KL	A	220	50	0.796	4.0
652—SDR0403-271KL	A	270	45	0.796	3.0
652—SDR0403-331KL	A	330	40	0.796	4.0
652—SDR0403-471KL	A	470	50	0.796	3.0
652—SDR0403-561KL	A	560	50	0.796	2.8
652—SDR0403-681KL	A	680	40	0.796	2.8
652—SDR0403-102KL	A	1000	38	0.796	2.0

### SDR0703 Series

652—SDR0703-1R0ML	B	1.0	25	7.96	160
652—SDR0703-1R8ML	B	1.8	25	7.96	105
652—SDR0703-2R2ML	B	2.2	24	7.96	95
652—SDR0703-2R7ML	B	2.7	23	7.96	80.0
652—SDR0703-3R3ML	B	3.3	23	7.96	65
652—SDR0703-4R7ML	B	4.7	20	7.96	60
652—SDR0703-5R6ML	B	5.6	20	7.96	56.0
652—SDR0703-6R8ML	B	6.8	20	7.96	45
652—SDR0703-8R2ML	B	8.2	20	7.96	40.0
652—SDR0703-100KL	B	10	23	2.52	36
652—SDR0703-150KL	B	15	23	2.52	30
652—SDR0703-220KL	B	22	20	2.52	26
652—SDR0703-330KL	B	33	17	2.52	20
652—SDR0703-470KL	B	47	20	2.52	15
652—SDR0703-560KL	B	56	20	2.52	13.0
652—SDR0703-680KL	B	68	18	2.52	13
652—SDR0703-820KL	B	82	18	2.52	12.0
652—SDR0703-101KL	B	100	33	0.796	11
652—SDR0703-151KL	B	150	30	0.796	9.0
652—SDR0703-221KL	B	220	31	0.796	7.0
652—SDR0703-271KL	B	270	30	0.796	7.0
652—SDR0703-331KL	B	330	33	0.796	6.0
652—SDR0703-471KL	B	470	33	0.796	5.0
652—SDR0703-561KL	B	560	36	0.796	4.2
652—SDR0703-681KL	B	680	32	0.796	4.0
652—SDR0703-821KL	B	820	32	0.796	3.6
652—SDR0703-102KL	B	1000	30	0.252	3.2

### SDR0503 Series

652—SDR0503-100ML	A	10	10	2.52	30.0
652—SDR0503-120ML	A	12	20	2.52	29.0
652—SDR0503-150ML	A	15	20	2.52	27.0
652—SDR0503-180ML	A	18	20	2.52	24.0
652—SDR0503-220ML	A	22	20	2.52	22.0
652—SDR0503-270ML	A	27	20	2.52	20.0
652—SDR0503-330KL	A	33	15	2.52	18.0
652—SDR0503-390KL	A	39	15	2.52	17.0
652—SDR0503-470KL	A	47	20	2.52	14.0
652—SDR0503-680KL	A	68	20	2.52	12.0
652—SDR0503-820KL	A	82	15	2.52	10.0
652—SDR0503-121KL	A	120	40	0.796	8.0
652—SDR0503-151KL	A	150	40	0.796	7.0

### SDR0805 Series

652—SDR0805-1R5ML	A	1.5	32	7.96	120.0
652—SDR0805-7R5ML	A	7.5	29	7.96	30.0
652—SDR0805-120ML	A	12	25	2.52	20.0
652—SDR0805-150ML	A	15	25	2.52	16.0
652—SDR0805-180ML	A	18	20	2.52	15.0
652—SDR0805-121KL	A	120	12	0.796	6.0
652—SDR0805-181KL	A	180	12	0.796	5.0
652—SDR0805-471KL	A	470	12	0.796	4.0
652—SDR0805-122KL	A	1200	28	0.252	2.0
652—SDR0805-152KL	A	1500	27	0.252	2.0
652—SDR0805-182KL	A	1800	30	0.252	2.0
652—SDR0805-392KL	A	3900	28	0.252	1.0