

Hi Power LEDs

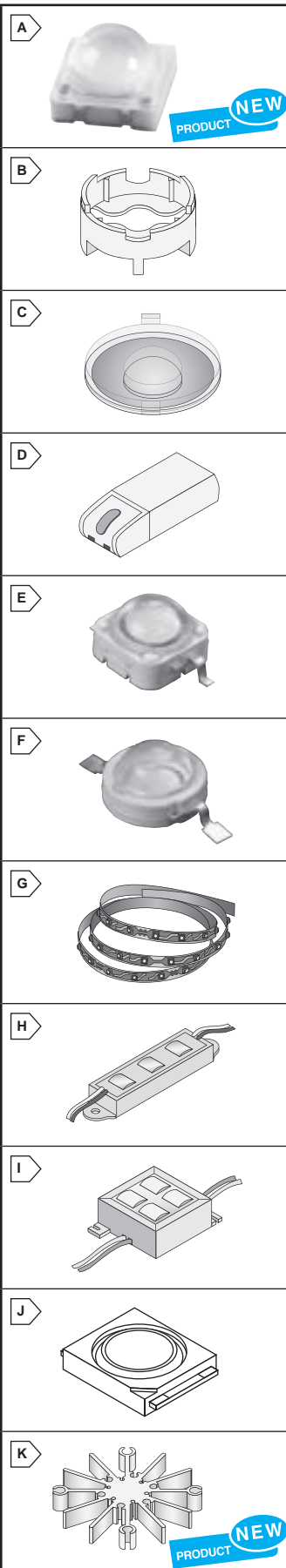
RoHS Compliant This product is RoHS compliant.

SHARP DOUBLE DOME LEDs

MICROELECTRONICS OF THE AMERICAS

MOUSER STOCK NO.	Sharp Part No.	Fig.	Dimensions LxWxH	Color Temp. (K)	Current (mA)	Forward Voltage	Luminous Flux Typ.	Power Watts	Price Each		
									1	10	100
852-GM2BB27BM0C	GM2BB27BM0C	A	2.8x2.8x1.9	2700k	220	3.65V	46 lm	0.8	1.69	1.47	1.42
852-GM2BB30BM0C	GM2BB30BM0C	A	2.8x2.8x1.9	3000k	220	3.65V	47 lm	0.8	1.69	1.47	1.42
852-GM2BB35BM0C	GM2BB35BM0C	A	2.8x2.8x1.9	3500k	220	3.65V	47 lm	0.8	1.69	1.47	1.42
852-GM2BB40BM0C	GM2BB40BM0C	A	2.8x2.8x1.9	4000k	220	3.65V	48 lm	0.8	1.69	1.47	1.42
852-GM2BB50BM0C	GM2BB50BM0C	A	2.8x2.8x1.9	5000k	220	3.65V	51 lm	0.8	1.69	1.47	1.42
852-GM2BB65BM0C	GM2BB65BM0C	A	2.8x2.8x1.9	6500k	220	3.65V	49 lm	0.8	1.69	1.47	1.42
852-GM2BB27BMAC	GM2BB27BMAC	A	2.8x2.8x1.9	2700k	140	3.60V	27 lm	0.5	1.69	1.47	1.42
852-GM2BB30BMAC	GM2BB30BMAC	A	2.8x2.8x1.9	3000k	140	3.60V	29 lm	0.5	1.69	1.47	1.42
852-GM2BB35BMAC	GM2BB35BMAC	A	2.8x2.8x1.9	3500k	140	3.60V	30 lm	0.5	1.69	1.47	1.42
852-GM2BB40BMAC	GM2BB40BMAC	A	2.8x2.8x1.9	4000k	140	3.60V	30 lm	0.5	1.69	1.47	1.42
852-GM2BB50BMAC	GM2BB50BMAC	A	2.8x2.8x1.9	5000k	140	3.60V	33 lm	0.5	1.69	1.47	1.42
852-GM2BB65BMAC	GM2BB65BMAC	A	2.8x2.8x1.9	6500k	140	3.60V	31 lm	0.5	1.69	1.47	1.42

For quantities greater than listed, call for quote.



Dialight OPTICAL SUPPORT AND LINKING CABLES

Dialight

MOUSER STOCK NO.	Dialight Part No.	Fig.	Description	Price Each		
				1	10	50
Optical Support						
645-OHE-S1CL	OH-ES1-CL	B	Lens Holder for LK1, and LLT3 Series; Clear Color	.37	.32	.30
645-OHE-S1WH	OH-ES1-WH	B	Lens Holder for LK1, and LLT3 Series; White Color	.37	.32	.30
645-OHE-S1BK	OH-ES1-BK	B	Lens Holder for LK1, and LLT3 Series; Black Color	.37	.32	.30
645-OP005	OP-005	C	5 Degree Snap-in Lens for LK1, LLT3 Series; Clear Color	1.03	.88	.83
645-OP015	OP-015	C	15 Degree Snap-in Lens for LK1, LLT3 Series; Clear Color	1.03	.88	.83
645-OP025	OP-025	C	25 Degree Snap-in Lens for LK1, LLT3 Series; Clear Color	2.00	1.31	1.14
645-OP520	OP-520	C	5x20 Degree Snap-in Lens for LK1, LLT3 Series; Clear Color	2.00	1.31	1.14

For quantities greater than listed, call for quote.

Dialight LED POWER DRIVERS

Dialight

MOUSER STOCK NO.	Dialight Part No.	Fig.	Supply Voltage		Output Current (mA)	Output Power		Price Each		
			Min./ Max.	Min./ Max.		Min.	Max.	1	25	100
645-MDU9SC3570	MDU-9SC3-570	D	110 / 240	VAC	700	1.2	10.8	29.67	25.22	23.73

For quantities greater than listed, call for quote.

LUMEX TitanBrite™ LEDs

Lumex

MOUSER STOCK NO.	Lumex Part No.	Fig.	Color	Color Temp/ Wavelength	Luminous Flux (lm)	Power (W)	Voltage (VDC)	Current (mA)	Price Each			
									1	10	50	100
696-LXL8047SICTR2	SML-LXL8047SICTR/2	E	Red	635nm	50	2	2.7	700	9.37	8.85	8.12	7.49
696-LXL8047SYCTR2	SML-LXL8047SYCTR/2	E	Yellow	598nm	55	2	2.5	700	9.37	8.85	8.12	7.49
696-LXL8047USBCTR3	SML-LXL8047USBCTR3	E	Blue	454nm	20	3	4.6	1500	8.65	8.18	7.50	6.92
696-LXL8047MWCTR3	SML-LXL8047MWCTR/3	E	Warm White	3000K	140	3	4.6	1000	9.58	8.83	8.50	7.98
696-LXL8047UWCTR3	SML-LXL8047UWCTR/3	E	Cool White	6000K	160	3	4.6	1000	10.23	9.67	8.87	8.18
696-LXL99SIC-TR2	SML-LXL99SIC-TR/2	F	Red	635nm	42	2	2.7	700	8.21	7.76	7.12	6.57
696-LXL99SYC-TR2	SML-LXL99SYC-TR/2	F	Yellow	598nm	58	2	2.5	700	8.21	7.76	7.12	6.57
696-LXL99SBC-TR5	SML-LXL99SBC-TR/5	F	Blue	465nm	55	5	4.5	1500	19.96	18.97	17.51	16.26
696-LXL99MWC-TR5	SML-LXL99MWC-TR/5	F	Warm White	2700K	220	5	4.5	1500	20.93	19.88	18.35	17.04
696-LXL99UWC-TR5	SML-LXL99UWC-TR/5	F	Cool White	6000K	180	5	4.5	1500	20.93	19.88	18.35	17.04

For quantities greater than listed, call for quote.

electronicsoptek LED LINKS

electronicsoptek

MOUSER STOCK NO.	Optek Part No.	Fig.	Color	Color Temp/ Wavelength	Illumination (lux@0.5m)	Voltage (VDC)	Safety Grade	Price Each			
								1	10	50	100
828-OVQ12S30R7	OVQ12S30R7	G	Red	625nm	32	12	-	11.15	9.58	9.06	8.53
828-OVQ12S30Y7	OVQ12S30Y7	G	Yellow	590nm	32	12	-	11.15	9.58	9.06	8.53
828-OVQ12S30G7	OVQ12S30G7	G	Green	525nm	50	12	-	12.78	10.98	10.38	9.78
828-OVQ12S30B7	OVQ12S30B7	G	Blue	470nm	20	12	-	12.09	10.39	9.82	9.25
828-OVQ12S30WW7	OVQ12S30WW7	G	Warm White	3300K	60	12	-	13.49	11.60	10.97	10.33
828-OVQ12S30W7	OVQ12S30W7	G	White	5500K	68	12	-	12.94	11.12	10.52	9.91
828-OVM12F3R7	OVM12F3R7	H	Red	623nm	20	12	IP67	2.35	2.02	1.91	1.80
828-OVM12F3Y7	OVM12F3Y7	H	Yellow	590nm	18	12	IP67	2.35	2.02	1.91	1.80
828-OVM12F3G7	OVM12F3G7	H	Green	525nm	14	12	IP67	2.43	2.09	1.98	1.86
828-OVM12F3B7	OVM12F3B7	H	Blue	470nm	6	12	IP67	2.39	2.06	1.95	1.83
828-OVM12F3W7	OVM12F3W7	H	White	5000-7000K	16	12	IP67	2.90	2.49	2.36	2.22
828-OVM18F4R7	OVM18F4R7	I	Red	623nm	24	18	IP67	3.00	2.58	2.44	2.30
828-OVM18F4Y7	OVM18F4Y7	I	Yellow	590nm	22	18	IP67	3.00	2.58	2.44	2.30
828-OVM18F4G7	OVM18F4G7	I	Green	525nm	16	18	IP67	3.08	2.65	2.51	2.36
828-OVM18F4B7	OVM18F4B7	I	Blue	470nm	8	18	IP67	3.02	2.60	2.46	2.32
828-OVM18F4W7	OVM18F4W7	I	White	5000-7000K	20	18	IP67	4.33	3.72	3.52	3.31

For quantities greater than listed, call for quote.

electronicsoptek OVSP SMD SERIES

electronicsoptek

MOUSER STOCK NO.	Optek Part No.	Fig.	Color	Wavelength (nm)	Luminous Flux (lm)	Power (W)	Voltage (VDC)	Current (A)	Price Each			
									1	10	50	100
828-OVSPRBCR4	OVSPRBCR4	J	Red	625	26	1.2	2.5	0.4	2.10	1.62	1.46	1.32
828-OVSPW1BCR4	OVSPW1BCR4	J	White	---	90	1.2	3.5	0.35	3.27	2.64	2.40	1.82
828-OVSPW1BCR44	OVSPW1BCR44	--	White	---	90	1	3.5	0.35	2.20	2.12	2.04	1.96
828-OVS5WBCR4	OVS5WBCR4	--	White	---	34.8	3.2	150	120°	1.44	1.40	-	1.34

For quantities greater than listed, call for quote.

OHMITE S SERIES LED HEATSINKS

Ohmite

MOUSER STOCK NO.	Ohmite Part No.	Fig.	Surface Area (in ² /mm ²)	Thermal Resistance (°C/W)		Height (in/mm)	Price Each		
				Free Conv.	Forced Conv.		1	10	100
588-SV-LED-113E	SV-LED-113E	K	18 / 11,739	6.67	4.33	.05 / .12.7	3.05	2.50	2.22
588-SA-LED-113E	SA-LED-113E	K	18 / 11,739	5.33	4.33	.05 / .12.7	3.30	2.70	2.40
588-SV-LED-125E	SV-LED-125E	K	36 / 23,478	5.33	2.88	1.0 / 12.7	4.07	3.33	2.96
588-SA-LED-125E	SA-LED-125E	K	36 / 23,478	4.27	2.88	1.0 / 12.7	4.65	3.80	3.38
588-SV-LED-151E	SV-LED-151E	K	72 / 46,956	4.00	1.89	2.0 / 50.8	6.08	4.97	4.42
588-SA-LED-151E	SA-LED-151E	K	72 / 46,956	3.20	1.89	2.0 / 50.8	7.23	5.92	5.26
588-SV-LED-176E	SV-LED-176E	K	108 / 70,434	3.11	1.55	3.0 / 76.2	8.28	6.77	6.02
588-SA-LED-176E	SA-LED-176E	K	108 / 70,434	2.49	1.55	3.0 / 76.2	9.93	8.12	7.22

For quantities greater than listed, call for quote.