

# VISHAY Multi-Turn Trimmers

## VISHAY / SFERNICE MODEL TSM 43, 4MM, SMD, CERMET TRIMMERS

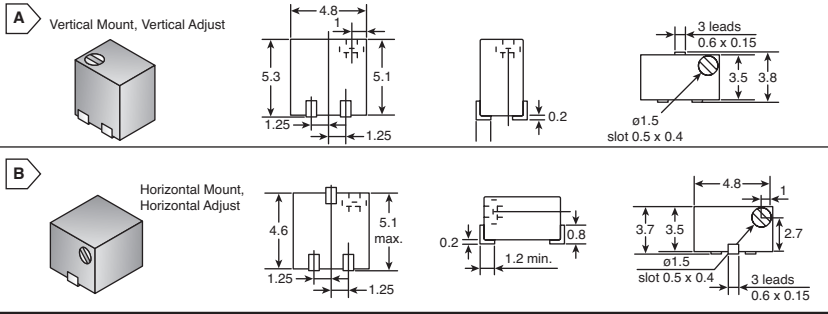
- Features:**
- Sealed to withstand board wash processing
  - Pick and place centering design
  - 4mm design meets EIA SMD standard trimmer footprint
  - Top and side adjust styles
  - Temperature coefficient:  $\pm 100\text{ppm}/^\circ\text{C}$

- Specifications:**
- Tolerance:  $\pm 10\%$
  - Oper. temp. range:  $-65^\circ\text{C}$  to  $+150^\circ\text{C}$
  - Rotation cycling: 200 cycles
  - Power rating: .25W @  $+85^\circ\text{C}$
  - Temperature coefficient:  $\pm 100\text{ppm}/^\circ\text{C}$

101	501	202	103
201	102	502	503

1	25	50	100	250
4.03	3.66	3.28	2.93	Call

DIMENSIONS: in.



MOUSER STOCK NO.	Fig.
72-TSM43J-Value-KR05	A
72-TSM43J-Value-KR10	B

## VISHAY / SPECTROL MODEL 64 3/8" (10MM) 25-TURN CERMET TRIMMERS

- Specifications:**
- Trimmer size 3/8" x 3/8" x 3/16"
  - Tolerance:  $\pm 10\%$
  - Rating: 0.5W @  $70^\circ\text{C}$ , derated linearly to 0W @  $125^\circ\text{C}$
  - Contact resistance variation: 2% Rn or 2Q
  - 25 turns nominal
  - Pure Sn. leads

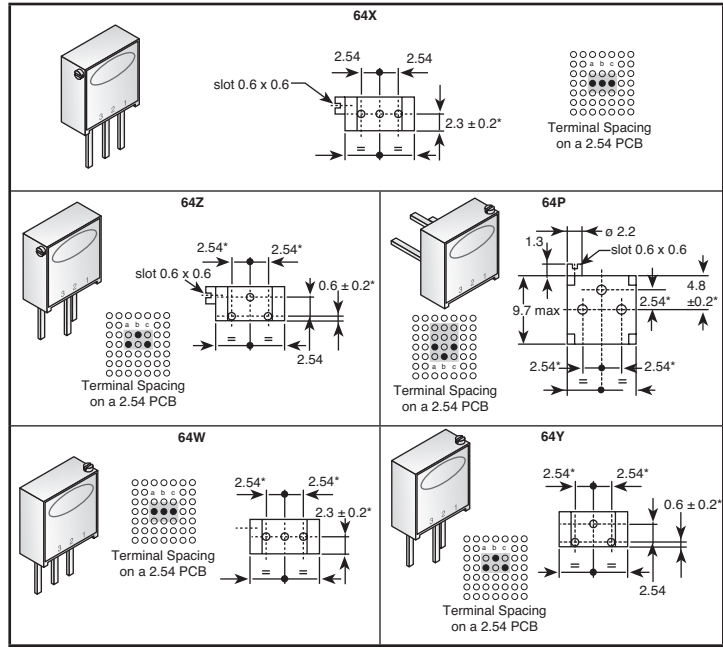


1	25	50	100	200	500+
1.79	1.64	1.56	1.50	1.38	Call

- Features:**
- Sealed for cleaning in common solvents
  - Easy adjustment and stability

Value ( $\Omega$ )	64X Series	64Z Series	64P Series	64W Series	64Y Series
10	---	---	---	---	---
20	---	---	---	---	---
50	---	---	---	---	---
100	594-64X101	594-64Z101	594-64P101	594-64W101	594-64Y101
200	594-64X201	594-64Z201	594-64P201	594-64W201	594-64Y201
500	594-64X501	594-64Z501	594-64P501	594-64W501	594-64Y501
1K	594-64X102	594-64Z102	594-64P102	594-64W102	594-64Y102
2K	594-64X202	594-64Z202	594-64P202	594-64W202	594-64Y202
5K	594-64X502	594-64Z502	594-64P502	594-64W502	594-64Y502
10K	594-64X103	594-64Z103	594-64P103	594-64W103	594-64Y103
20K	594-64X203	594-64Z203	594-64P203	594-64W203	594-64Y203
25K	594-64X253	---	---	594-64W253	594-64Y253
50K	594-64X503	594-64Z503	594-64P503	594-64W503	594-64Y503
100K	594-64X104	594-64Z104	594-64P104	594-64W104	594-64Y104
200K	594-64X204	---	---	594-64W204	594-64Y204
250K	594-64X254	---	---	594-64W254	594-64Y254
500K	594-64X504	---	---	594-64W504	594-64Y504
1M	594-64X105	---	---	594-64W105	594-64Y105
2M	594-64X205	---	---	594-64W205	594-64Y205

DIMENSIONS: in.



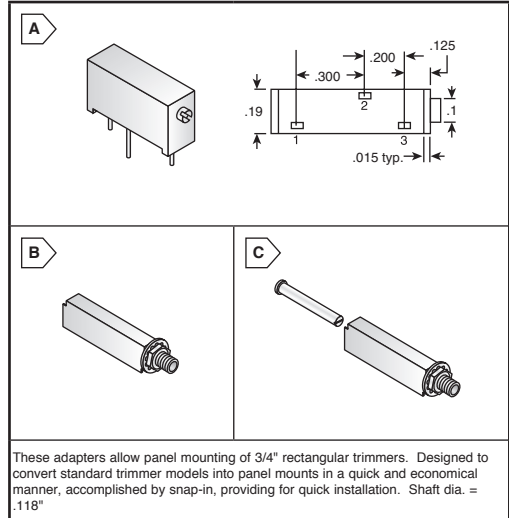
## VISHAY / SPECTROL MODEL 43P 3/4" 20 TURN CERMET TRIMMERS

- Specifications:**
- Coefficient of resistance:  $\pm 100\text{ppm}/^\circ\text{C}$
  - Rating: 0.5W @  $70^\circ\text{C}$ , derated linearly to 0W @  $125^\circ\text{C}$
  - Maximum voltage:  $\leq 400\text{V}$
  - Temperature range:  $-55^\circ\text{C}$  to  $+125^\circ\text{C}$
  - Contact resistance variation: 3% or 3Q, whichever is greater

- Features:**
- Unique "T" slider block design
  - Easy adjustment and stability

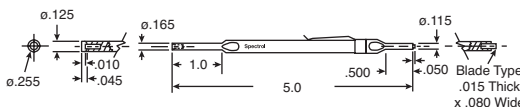
MOUSER STOCK NO.	Vishay Part No.	Fig.	Value $\Omega$	Insulation Resistance (M $\Omega$ )	Tol. %	Price Each					
						1	25	50	100	200	500+
594-43P100	043P100	A	10	1000	$\pm 10$	2.34	1.88	1.50	1.37	1.29	
594-43P200	043P200	A	20	1000	$\pm 10$	2.34	1.88	1.50	1.37	1.29	
594-43P500	043P500	A	50	1000	$\pm 10$	2.28	1.83	1.46	1.34	1.26	
594-43P101	043P101	A	100	1000	$\pm 10$	2.28	1.46	1.34	1.26	1.17	C
594-43P201	043P201	A	200	1000	$\pm 10$	2.33	1.87	1.50	1.37	1.29	A
594-43P501	043P501	A	500	1000	$\pm 10$	2.15	1.73	1.38	1.27	1.19	L
594-43P102	043P102	A	1K	1000	$\pm 10$	1.98	1.59	1.27	1.17	1.10	L
594-43P202	043P202	A	2K	1000	$\pm 10$	2.27	1.46	1.34	1.26	1.17	
594-43P252	043P252	A	2.5K	1000	$\pm 10$	2.27	1.83	1.46	1.34	1.27	F
594-43P502	043P502	A	5K	1000	$\pm 10$	2.13	1.86	1.54	1.23	1.20	O
594-43P103	043P103	A	10K	1000	$\pm 10$	1.93	1.55	1.24	1.14	1.08	R
594-43P203	043P203	A	20K	1000	$\pm 10$	2.02	1.62	1.30	1.19	1.13	
594-43P253	043P253	A	25K	1000	$\pm 10$	2.33	1.88	1.50	1.37	1.30	Q
594-43P503	043P503	A	50K	1000	$\pm 10$	2.14	1.71	1.36	1.25	1.18	U
594-43P104	043P104	A	100K	1000	$\pm 10$	2.03	1.64	1.30	1.19	1.13	O
594-43P204	043P204	A	200K	1000	$\pm 10$	2.27	1.82	1.46	1.34	1.26	T
594-43P504	043P504	A	500K	1000	$\pm 10$	2.33	1.87	1.50	1.37	1.29	E
594-43P105	043P105	A	1M	1000	$\pm 10$	2.27	1.82	1.46	1.34	1.26	
594-43P205	043P205	A	2M	1000	$\pm 10$	2.27	1.82	1.46	1.34	1.26	
<b>Adapters</b>											
594-610	006-1-0	B		Without shaft		4.37	4.02	3.93	3.50	3.15	Call for Quote
594-611	006-1-1	C		With flush shaft		5.94	5.46	5.34	4.75	4.28	
594-612	006-1-2	C		With .57" shaft		5.94	5.46	5.34	4.75	4.28	
594-613	006-1-3	C		With .875" shaft		6.75	6.21	6.08	5.40	4.86	

DIMENSIONS: in.



## VISHAY / SPECTROL TRIMMER ADJUSTMENT TOOL

- Features:**
- Extended as well as recessed blade for critical adjustments
  - Designed to adjust trimmer potentiometers of all sizes
  - Made of glass filled nylon with corrosion resistant stainless steel blades



DIMENSIONS: in.

For quantities of 200 and up, call for quote.

MOUSER STOCK NO.	Price Each			
	1	25	100	250
594-8T000	2.43	2.18	1.94	1.75

Multi-Turn Trimmers

Vishay