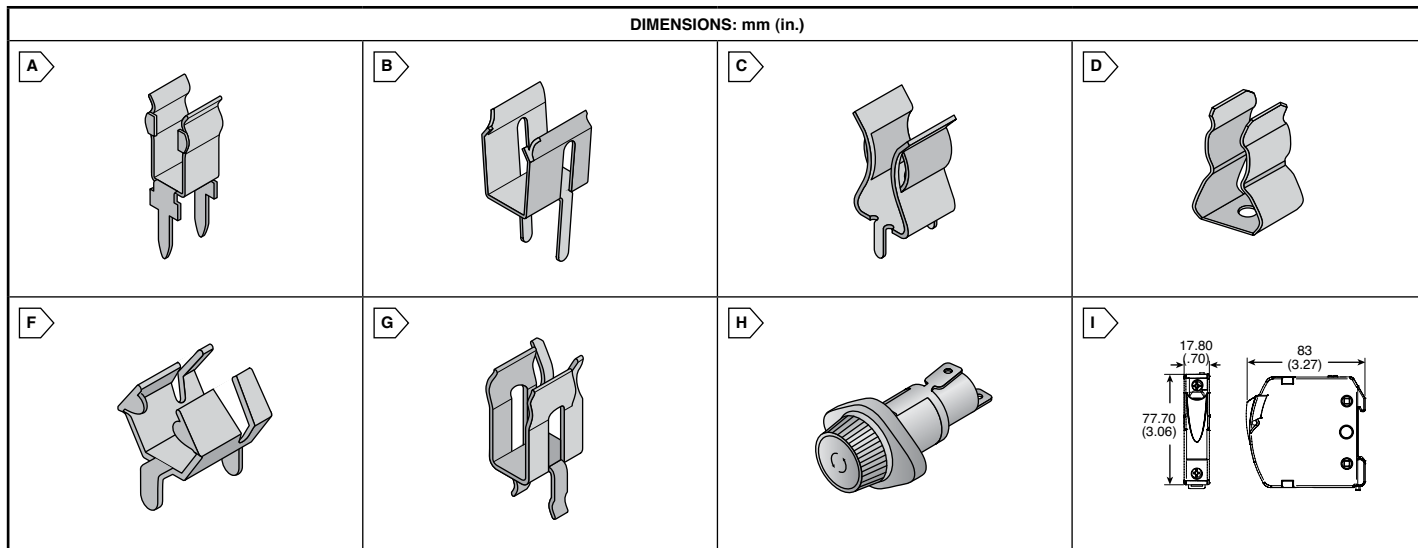


LITTELFUSE Fuse Clips, Holders and Blocks



Products may be RoHS compliant.
Check mouser.com for RoHS status.

DIMENSIONS: mm (in.)



Fuses & Fuse Holders

FUSE CLIPS



RoHS Compliant

MOUSER STOCK NO.	Littelfuse Part No.	Fig.	Mount Method	Fuse Type	Fuse Mounting	Price Each			
						1	10	100	250
576-0100054Z	0100054Z	A	PC	5x20mm	Cartridge	.20	.19	.18	.17
576-01010001H	01010001H	A	Rivet/Eyelet	3AG/3AB	Cartridge	.15	.14	.138	.133
576-0100058M	0100058M	B	PC	3AG/3AB	Axial/Radial	.15	.14	.135	.133
576-01020071Z	01020071Z	C	PC	3AG/3AB	Cartridge	.12	.12	.11	.11
576-01020074H	01020074H	C	PC	3AG/3AB	Cartridge	.15	.14	.138	.133
576-01220083Z	01220083Z	C	PC	3AG/3AB	Cartridge	.43	.41	.39	.37
576-01220088Z	01220088Z	C	PC	3AG/3AB	Cartridge	.43	.41	.39	.37
576-01250001H	01250001H	D	PC	3AG/3AB	Cartridge	.96	.91	.865	.823
576-01020080H	01020080H	E	Rivet/Eyelet	NEC	Cartridge	.15	.14	.133	.123
576-01220090N	01220090N	E	Rivet/Eyelet	NEC	Cartridge	.41	.39	.37	.35
576-01270001H	01270001H	E	Rivet/Eyelet	NEC	Cartridge	2.67	2.54	2.41	2.27
576-01110501H	01110501H	F	PC	5x20mm	Axial/Radial	.15	.14	.138	.133

For quantities greater than listed, call for quote.

571 SERIES PANEL MOUNT FUSE HOLDERS

Specifications:

- 4000V dielectric strength
- Black Thermoplastic
- Fuse Diameter 13/32"
- Rejection Feature



RoHS Compliant

MOUSER STOCK NO.	Littelfuse Part No.	Fig.	Type	Amp Rating	Voltage Rating	Fuse Mounting	Price Each			
							1	10	100	250
576-05710007L	571007	G	Standard	30	600	1 13/32" - 1 1/2"	6.63	6.14	5.92	5.62
576-05710007LXP	571007P	G	Watertight	30	600	1 13/32" - 1 1/2"	6.63	6.29	5.96	5.63
576-05710008L	571008	G	Standard	30	600	1 13/32" - 1 1/2"	5.82	5.52	5.23	4.91
576-05710008LXP	571008P	G	Watertight	30	600	1 13/32" - 1 1/2"	7.03	6.68	6.33	5.95
576-05710027L	571027	G	Standard	20	600	1 5/18" - 1 3/8"	6.36	6.04	5.72	5.41
576-05710027LXP	571027P	G	Watertight	20	600	1 5/18" - 1 3/8"	7.55	7.17	6.79	6.41
576-05710028L	571028	G	Standard	30	600	1 5/18" - 1 3/8"	5.82	5.52	5.23	4.91
576-05710028LXP	571028P	G	Watertight	20	600	1 5/18" - 1 3/8"	7.03	6.68	6.33	5.95
576-057100CCL	5710CC	G	Standard	30	600	1 1/2"	7.30	6.94	6.57	6.17
576-057100CCLXP	5710CCP	G	Watertight	30	600	1 1/2"	8.51	8.07	7.65	7.18
576-05710RCCLXP	571RCCP	G	Watertight	30	600	1 1/2"	8.51	8.07	7.65	7.18

For quantities greater than listed, call for quote.

UP-LINK CLASS CC AND MIDGET FUSE HOLDERS

Specifications:

- Cost effective solution for remote blown fuse indication
- Easily integrates with an existing PLC or system
- Data is not shared with a 3rd party

MOUSER STOCK NO.	Littelfuse Part No.	Fig.	No. of Poles	Amp Rating	Voltage Rating	Price Each			
						1	10	100	250
576-LINK001C.Z	LINK001C.Z	H	1	30	600 VDC	36.58	33.59	30.98	30.05
576-LINK002C.Z	LINK002C.Z	H	2	30	600 VDC	69.57	66.10	64.16	62.23
576-LINK003C.Z	LINK003C.Z	H	3	30	600 VDC	114.47	105.56	98.57	94.75
576-LINK001M.Z	LINK001M.Z	H	4	30	600 VDC	33.58	30.84	28.44	27.58
576-LINK002M.Z	LINK002M.Z	H	2	30	600 VDC	63.15	59.99	58.24	56.48
576-LINK003M.Z	LINK003M.Z	H	3	30	600 VDC	96.72	89.20	83.29	80.06

For quantities greater than listed, call for quote.