

LATTICE FPGAs and Development Kits



RoHS Compliant This product is RoHS compliant.

LATTICEECP3 VERSA DEVELOPMENT KIT

The LatticeECP3™ Versa™ Development Kit is a versatile platform for building leading edge systems in a variety of industries. It brings high-end innovations such as configurable SERDES, cascadable DSP slices, and high-speed DDR3 memory within the reach of mainstream designers in an easy to use environment.



MOUSER STOCK NO.	Lattice Part No.	Description	Price Each
842-LFE3-35EA-VERSA-EVN	LFE3-35EA-VERSA-EVN	ECP3 Versa Development Kit	262.50

LATTICE FIELD PROGRAMMABLE GATE ARRAYS (FPGAs)

Lattice brings you a new generation of optimized low-cost FPGAs. For maximum performance and value, the LatticeECP™ (Economy Plus) FPGA concept combines an efficient FPGA fabric with high-speed dedicated functions. Lattice's first family to implement this approach is the LatticeECP-DSP (Economy Plus DSP) family, providing dedicated high-performance DSP blocks on-chip. The LatticeECP™ (Economy) family supports all the general-purpose features of LatticeECP devices without dedicated function blocks to achieve even lower cost solutions.



LatticeECP2 FPGAs

LatticeECP2 FPGA devices combine a low cost FPGA fabric with advanced features such as pre-engineered source synchronous support (including 400Mbps DDR2), high-performance embedded DSP blocks that provide up to 33GMACs of DSP bandwidth and enhanced configuration including bitstream encryption ("S-Series" Only), dual boot and TransFR I/O.



* Available in Industrial Grade

For quantities greater than listed, call for quote.

MOUSER STOCK NO.	Lattice Part No.	Package	Voltage (V)	LUTs	I/O Combin.	DSP Blocks	Distributed RAM (Kbits)	# of GPLL	Speed Grade	Price Each		
										1	25	125
* 842-LFE2-6E-5FN256C	LFE2-6E-5FN256C	fpBGA-256	1.2	6K	190	3	6	2	-5	14.25	12.5	25
* 842-LFE212E5FN256C	LFE2-12E-5FN256C	fpBGA-256	1.2	12K	193	6	12	2	-5	28.50	24.75	25
* 842-LFE212E5TN144C	LFE2-12E-5TN144C	TQFP-144	1.2	12K	93	6	12	2	-5	20.50	18.00	25

LatticeECP2M FPGAs

LatticeECP2M FPGA devices provide the same feature set as the LatticeECP2 family but have embedded 3.125Gbps SERDES and increase memory capacity to 5.3Mbits and DSP capability to 63GMACs.

* Available in Industrial Grade

For quantities greater than listed, call for quote.

MOUSER STOCK NO.	Lattice Part No.	Package	Voltage (V)	LUTs	I/O Combin.	DSP Blocks	Distributed RAM (Kbits)	# of GPLL	Speed Grade	Price Each		
										1	25	25
* 842-LFE2M20E-5FN484C	LFE2M20E-5FN484C	fpBGA-484	1.2V	20K	304	64	2	8	-5	54.75	47.75	75
* 842-LFE2M35SE5FN484C	LFE2M35SE-5FN484C	fpBGA-484	1.2V	35K	303	64	8	2	-5	80.75	70.50	75
842-LFE2-20E-5FN484C	LFE2-20E-5FN484C	FPBGA-484	1.26	20K	331	7	282.6	2	-5	42.25	36.75	75
842-LFE2M20E-5FN256C	LFE2M20E-5FN256C	FPBGA-256	1.26	20K	140	6	124.6	2	-5	46.75	40.75	75
842-LFE2M20E-6FN256C	LFE2M20E-6FN256C	FPBGA-256	1.26	20K	140	6	1246.2	2	-6	56.00	49.00	75
842-LFE2M20E-6FN484C	LFE2M20E-6FN484C	FPBGA-484	1.26	20K	304	6	1246.2	2	-6	64.00	55.75	75
842-LFE2M20SE5FN256C	LFE2M20SE-5FN256C	FPBGA-256	1.26	20K	140	6	1246.2	2	-5	46.75	40.75	75
842-LFE2M20SE5FN484C	LFE2M20SE-5FN484C	FPBGA-484	1.26	20K	304	6	1246.2	2	-5	54.75	47.75	75
842-LFE2M35E5FN484C	LFE2M35E-5FN484C	FPBGA-484	1.26	35K	303	8	2151.4	2	-5	80.75	70.50	75
842-LFE2M35E6FN484C	LFE2M35E-6FN484C	FPBGA-484	1.26	35K	303	8	2151.4	2	-6	97.00	84.50	75

LatticeSC (System Chip) FPGAs

LatticeSC (System Chip) FPGA couples the industry's fastest FPGA fabric with system level features like 2Gbps PURESPEED I/O, 32 channels of SERDES and pre-engineered embedded IP using on-chip structured ASIC blocks for best-in-class programmable connectivity solutions.

* Available in Industrial Grade

For quantities greater than listed, call for quote.

MOUSER STOCK NO.	Lattice Part No.	Package	Voltage (V)	I/O Combin.	DSP Blocks	Distributed RAM (Kbits)	# of GPLL	Speed Grade	Price Each		
									1	25	100
842-LFS3GA25E7FN900C	LFSC3GA25E-7FN900C	fpBGA-900	1.2V	378	8	104	8	-7	350.00	305.00	305.00
* 842-L3GA15EP16FN256C	LFSCM3GA15EP1-6FN256C	fpBGA-256	1.2V	139	4	56	8	-6	200.00	175.00	175.00
842-L3GA15EP16FN256I	LFSCM3GA15EP1-6FN256I	fpBGA-256	1.2V	139	4	56	8	-6	250.00	220.00	220.00

MOUSER STOCK NO.	Lattice Part No.	Description	Price Each
842-LFXP2-5E-B2-EVN	LFXP2-5E-B2-EVN	XP2 Brevia Development Kit	49.00

LATTICE ispXPGA FAMILY

The ispXPGA of devices provides the ideal vehicle for the creation of high-performance logic designs that are both non-volatile and infinitely re-programmable. Other FPGA solution force a compromise, being either reprogrammable or non-volatile. This family couples this capability with a mainstream architecture containing with a mainstream architecture containing the features required for today's system-level design.

For quantities greater than listed, call for quote.

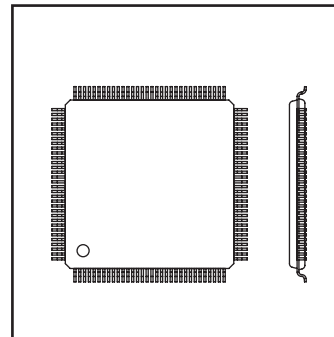
MOUSER STOCK NO.	Lattice Part No.	Package	Gates	Voltage (V)	Speed Grade	Balls/Pins	Price Each		
							1	25	100
842-LFX125EB04FN256C	LFX125EB-04FN256C	fpBGA	139K	2.5/3.3V	-4	256	48.45	43.70	40.56
842-X200EB04F256I	LFX200EB-04F256I	fpBGA	210K	2.5/3.3V	-4	256	106.50	96.50	89.06

LATTICE XP2/3 FAMILY

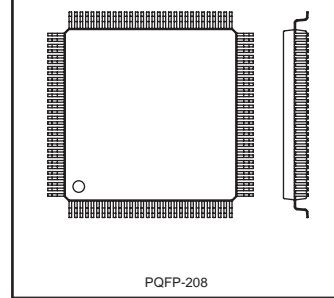


For quantities greater than listed, call for quote.

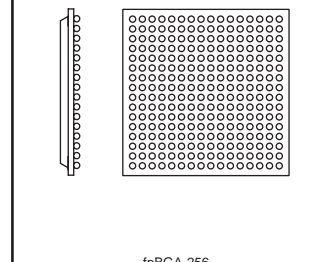
MOUSER STOCK NO.	Lattice Part No.	Package	LUTs	Voltage (V)	Speed Grade	Balls/Pins	Price Each		
							1	25	100
XP Family									
842-LFXP10C3FN256I	LFXP10C-3FN256I	fpBGA	10K	1.8/2.5/3.3V	-3	256	36.10	31.45	29.06
842-LFXP10E3FN256I	LFXP10E-3FN256I	fpBGA	10K	1.2/3.3V	-3	256	36.10	31.45	29.06
842-LFXP15C3FN256C	LFXP15C-3FN256C	fpBGA	15K	1.8/2.5/3.3V	-3	256	47.75	41.75	38.50
842-LFXP20C3FN256C	LFXP20C-3FN256C	fpBGA	20K	1.8/2.5/3.3V	-3	256	57.25	49.75	46.00
842-LFXP3C3TN100C	LFXP3C-3TN100C	TQFP	3K	1.8/2.5/3.3V	-3	100	11.95	10.40	9.62
842-LFXP3C3TN100I	LFXP3C-3TN100I	TQFP	3K	1.8/2.5/3.3V	-3	100	13.75	11.95	11.06
842-LFXP3C3TN144C	LFXP3C-3TN144C	TQFP	3K	1.8/2.5/3.3V	-3	144	12.95	11.25	10.43
842-LFXP3C3TN144I	LFXP3C-3TN144I	TQFP	3K	1.8/2.5/3.3V	-3	144	14.70	12.80	11.87
842-LFXP3C5TN100C	LFXP3C-5TN100C	TQFP	3K	1.8/2.5/3.3V	-5	100	15.75	13.75	12.68
842-LFXP6C3QN208C	LFXP6C-3QN208C	PQFP	6K	1.8/2.5/3.3V	-3	208	21.05	18.35	16.93
842-LFXP10C3FN256C	LFXP10C-3FN256C	FPBGA	10K	3.465	-3	256	31.40	27.35	25.31
842-LFXP10C4FN256C	LFXP10C-4FN256C	FPBGA	10K	3.465	-4	256	36.10	31.45	29.06
842-LFXP3C3QN208C	LFXP3C-3QN208C	PQFP	3K	3.465	-3	208	13.95	12.15	11.18
842-LFXP3C4TN144C	LFXP3C-4TN144C	TQFP-144	3K	3.465	-4	144	14.70	12.80	11.87
842-LFXP6C4FN256C	LFXP6C-4FN256C	FPBGA	6K	3.465	-4	256	25.10	21.85	20.18
XP2 Family									
842-LFXP40E-5FN484I	LFXP2-40E-5FN484I	fpBGA	40K	1.2/5V	-5	484	107.70	93.85	86.68
842-LFXP217E5FN484I	LFXP2-17E-5FN484I	fpBGA	17K	1.2/5V	-5	484	47.60	41.45	38.31
842-LFXP217E-5QN208C	LFXP2-17E-5QN208C	PQFP	17K	1.2/5V	-5	208	35.90	31.30	28.87
842-LFXP28E5FTN256C	LFXP2-8E-5FTN256C	TQFP	8K	1.2/5V	-5	256	19.85	17.30	16.00
842-LFXP28E-5TN144C	LFXP2-8E-5TN144C	TQFP	8K	1.2/5V	-5	144	16.90	14.70	13.62
842-LFXP217E6FTN256	LFXP2-17E-6FTN256C	FTBGA	17K	1.26	-6	256	43.65	38.00	35.12
842-LFXP25E5FTN256I	LFXP2-5E-5FTN256I	FTBGA	5K	1.26	-5	256	18.80	16.40	15.12
842-LFXP28E5FTN256I	LFXP2-8E-5FTN256I	FTBGA	8K	1.26	-5	256	23.25	20.25	18.68
842-LFXP2-5E-5QN208C	LFXP2-5E-5QN208C	PQFP	5K	1.2	-5	208	15.70	13.70	12.62
842-LFXP2-5E-5TN144C	LFXP2-5E-5TN144C	TQFP	5K	1.2	-5	144	13.20	11.50	10.62
842-LFXP25E5TN144I	LFXP2-5E-5TN144I	TQFP	5K	1.2	-5	144	15.85	13.80	12.75
842-LFXP28E5TN144I	LFXP2-8E-5TN144I	TQFP	8K	1.2	-8	144	20.25	17.65	16.31
XP3 Family									
842-LFXP3E3TN100C	LFXP3E-3TN100C	TQFP	3.1K	1.2	-3	100	11.95	10.40	9.62



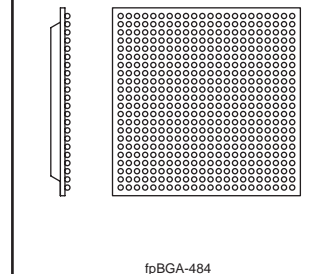
TQFP-144



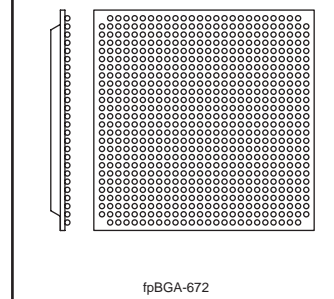
PQFP-208



fpBGA-256



fpBGA-484



fpBGA-672