

MURATA Common Mode Choke Coils



NEW AT MOUSER

Inductors

Murata

NEW AT MOUSER

NEW AT MOUSER

NEW AT MOUSER

PLA10 SERIES

Features:

- Compact and lightweight
- Low profile in vertical core layout
- Both a standard winding type and a sectional winding for higher frequency noise is available

Specifications:

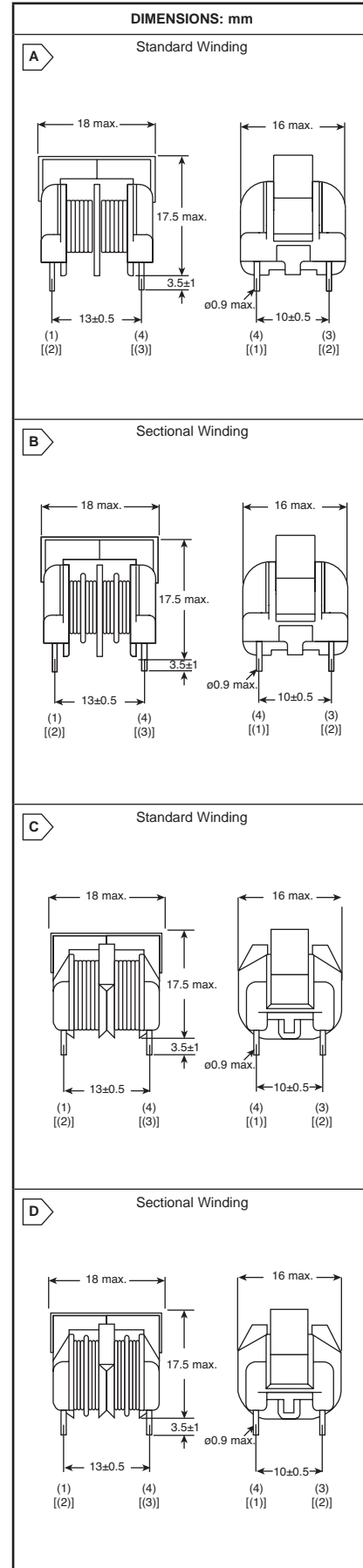
- Operating Temperature Range: -25°C to 60°C



* Safety standards: EN60065

For quantities greater than listed, call for quote

MOUSER STOCK NO.		Fig.	Common Mode Inductance (min.) (mH)	Rated Voltage (V)	Rated Current (A)	Insulation Resistance (min.) (M ohm)	Price Each		
Mfr.	Mfr. Part No.						1	10	25
Standard Winding									
81	PLA10AN1522R0R2B	A	1.5	300	2.0	100	1.57	1.53	1.41
81	PLA10AN2221R5R2B	A	2.2	300	1.5	100	1.57	1.53	1.48
81	PLA10AN3021R3R2B	A	3.0	300	1.3	100	1.57	1.53	1.48
81	PLA10AN3521R2R2B	A	3.5	300	1.2	100	1.57	1.53	1.48
81	PLA10AN5521R0R2B	A	5.5	300	1.0	100	1.57	1.53	1.41
81	PLA10AN7420R8R2B	A	7.4	300	0.8	100	1.57	1.53	1.48
81	PLA10AN1030R7R2B	A	10.0	300	0.7	100	1.57	1.53	1.48
81	PLA10AN2030R5R2B	A	20.0	300	0.5	100	1.57	1.53	1.41
81	PLA10AN3030R4R2B	A	30.0	300	0.4	100	1.57	1.53	1.48
81	PLA10AN4330R3R2B	A	43.0	300	0.3	100	1.57	1.53	1.48
*	81-PLA10AS1522R0R2B	A	1.5	250	2.0	100	1.57	1.53	1.48
*	81-PLA10AS1821R7R2B	A	1.8	250	1.7	100	1.57	1.53	1.48
*	81-PLA10AS1030R7R2B	A	10.0	250	0.7	100	1.57	1.53	1.48
*	81-PLA10AS1230R6R2B	A	12.0	250	0.6	100	1.57	1.53	1.48
*	81-PLA10AS3030R4R2B	A	30.0	250	0.4	100	1.57	1.53	1.48
Sectional Winding									
81	PLA10AN9012R0D2B	B	0.9	300	2.0	100	1.57	1.53	1.48
81	PLA10AN1321R7D2B	B	1.3	300	1.7	100	1.57	1.53	1.48
81	PLA10AN1821R5D2B	B	1.8	300	1.5	100	1.57	1.53	1.48
81	PLA10AN3621R0D2B	B	3.6	300	1.0	100	1.57	1.53	1.40
81	PLA10AN7720R7D2B	B	7.7	300	0.7	100	1.57	1.53	1.48
81	PLA10AN1330R5D2B	B	13.0	300	0.5	100	1.57	1.53	1.48
81	PLA10AN2230R4D2B	B	22.0	300	0.4	100	1.57	1.53	1.48
81	PLA10AN3630R3D2B	B	36.0	300	0.3	100	1.57	1.53	1.48



PLH10 SERIES

Features:

- High performance in high frequency range
- Low profile in vertical core layout
- Compact and lightweight

Specifications:

- Operating Temperature Range: -25°C to 60°C



* Safety standards: EN60065

For quantities greater than listed, call for quote

MOUSER STOCK NO.		Fig.	Common Mode Inductance (min.) (mH)	Rated Voltage (V)	Rated Current (A)	Insulation Resistance (min.) (M ohm)	Price Each		
Mfr.	Mfr. Part No.						1	10	25
81	PLH10AN7003R6P2B	A	70	300	3.6	100	1.57	1.53	1.48
81	PLH10AN1612R1P2B	A	160	300	2.1	100	1.57	1.53	1.48
81	PLH10AN2211R5P2B	A	220	300	1.5	100	1.57	1.53	1.48
81	PLH10AN2911R2P2B	A	290	300	1.2	100	1.57	1.53	1.48
81	PLH10AN3711R0P2B	A	370	300	1.0	100	1.57	1.53	1.48
*	81-PLH10AS7003R6P2B	A	70	250	3.6	100	1.57	1.53	1.48
*	81-PLH10AS1612R1P2B	A	160	250	2.1	100	1.57	1.53	1.48
*	81-PLH10AS2211R5P2B	A	220	250	1.5	100	1.57	1.53	1.41

PLY10 SERIES HYBRID CHOKE COIL

Features:

- PLY10 has both functions of a common mode choke coil and a differential mode choke coil in its compact body
- Low profile in vertical core layout
- PHY10 has the same pin layout as a general common mode choke coil which enables it to replace conventional components

Specifications:

- Operating Temperature Range: -25°C to 60°C



* Safety standards: EN60065

For quantities greater than listed, call for quote

MOUSER STOCK NO.		Fig.	Common Mode Inductance (min.) (mH)	Rated Voltage (V)	Rated Current (A)	Insulation Resistance (min.) (M ohm)	Price Each		
Mfr.	Mfr. Part No.						1	10	25
Standard Winding									
81	PLY10AN1121R8R2B	C	1.1	1.8	90	300	2.93	2.84	2.74
81	PLY10AN1521R6R2B	C	1.5	1.6	110	300	2.93	2.84	2.74
81	PLY10AN1430R5R2B	C	14.0	1000	0.5	300	2.93	2.84	2.74
*	81-PLY10AS1430R5R2B	C	14.0	0.5	1000	300	2.93	2.84	2.74
*	81-PLY10AS6220R8R2B	C	6.2	0.8	400	300	2.93	2.84	2.74
Sectional Winding									
81	PLY10AN7012R0D2B	D	0.7	2.0	50	300	2.93	2.84	2.57
81	PLY10AN1121R7D2B	D	1.1	1.7	65	300	2.93	2.84	2.74
81	PLY10AN1421R4D2B	D	1.4	1.4	110	300	2.93	2.84	2.74
81	PLY10AN2321R2D2B	D	2.3	1.2	160	300	2.93	2.84	2.74
81	PLY10AN8720R7D2B	D	8.7	0.7	500	300	2.93	2.84	2.74
*	81-PLY10AS1421R4D2B	D	1.4	1.4	110	300	2.93	2.84	2.74
*	81-PLY10AS8720R7D2B	D	8.7	0.7	500	300	2.93	2.84	2.74

© Copyright 2011 Mouser Electronics

© Copyright 2011 Mouser Electronics