

ON SEMICONDUCTOR Serial EEPROMs

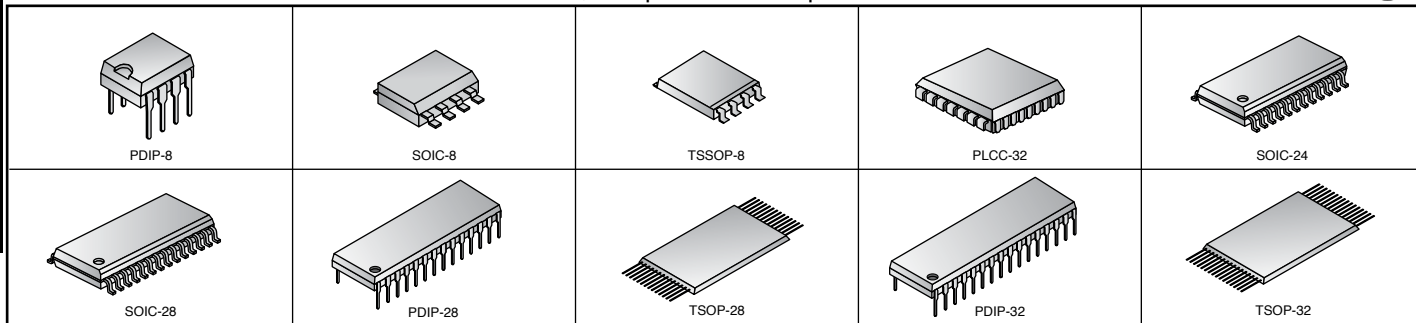
ON Semiconductor®



RoHS Compliant This product is RoHS compliant.

Memory

Catalyst



CATALYST DUAL PORT SERIAL CMOS EEPROM

The CAT24C208 is an 8 kb Dual Port Serial CMOS EEPROM internally organized as 4 segments of 256 bytes each. The CAT24C208 features a 16-byte page write buffer and can be accessed from either of two separate I2C compatible ports, DSP (SDA, SCL) and DDC (SDA, SCL). Arbitration between the two interface ports is automatic and allows the appearance of individual access to the memory from each interface.

◆ Surface Mount

MOUSER STOCK NO.	Catalyst Part No.	Case Type	Density	Organization	Temperature Range (°C)	Operating Voltage (V)	Price Each			
							1	25	100	250
◆ 698-CAT24C208WI-G	CAT24C208WI-G	SOIC-8	8K	1K x 8	- 40 to + 85	2.5 to 5.5	2.90	2.12	1.75	1.50

Features:

- Supports Standard and Fast I2C Protocol
- 2.5 V to 5.5 V Supply Voltage Range
- 16-Byte Page Write Buffer
- Schmitt Triggers and Noise Suppression Filters on I2C Bus Inputs
- Low Power CMOS Technology
- 1,000,000 Program/Erase Cycles
- 1 Year Data Retention



RoHS Compliant

CATALYST MICROWIRE BUS (3-WIRE)

These Microwire Serial EEPROMs are configured as either registers of 16 bits (ORG pin at VCC) or 8 bits (ORG pin at GND). Each register can be written (or read) serially by using the DI (or DO) pin. They are manufactured using Catalyst's advanced CMOS EEPROM floating gate technology. The devices are designed to endure 1,000,000 program/erase cycles and has a data retention of 100 years.

◆ Surface Mount

MOUSER STOCK NO.	Catalyst Part No.	Case Type	Density	Organization	Temperature Range (°C)	Operating Voltage (V)	Price Each			
							1	25	100	250
◆ 698-CAT93C46LI-G	CAT93C46LI-G	PDIP-8	1K	128 x 8/64 x 16	- 40 to + 85	2.5 to 5.5	.62	.48	.418	.364
◆ 698-CAT93C46VI-G	CAT93C46VI-G	SOIC-8	1K	128 x 8/64 x 16	- 40 to + 85	2.5 to 5.5	.44	.32	.28	.243
◆ 698-CAT93C46VI-GT3	CAT93C46VI-GT3	SOIC-8	1K	128 x 8/64 x 16	- 40 to + 85	2.5 to 5.5	.59	.38	.315	.262
◆ 698-CAT93C46WI-G	CAT93C46WI-G	SOIC-8	1K	128 x 8/64 x 16	- 40 to + 85	2.5 to 5.5	.44	.32	.28	.243
◆ 698-CAT93C46WI-GT3	CAT93C46WI-GT3	SOIC-8	1K	128 x 8/64 x 16	- 40 to + 85	2.5 to 5.5	.59	.38	.315	.262
◆ 698-CAT93C46YI-G	CAT93C46YI-G	TSSOP-8	1K	128 x 8/64 x 16	- 40 to + 85	2.5 to 5.5	.44	.32	.28	.243
◆ 698-CAT93C56LI-G	CAT93C56LI-G	PDIP-8	2K	256 x 8/128 x 16	- 40 to + 85	2.5 to 5.5	.66	.51	.445	.387
◆ 698-CAT93C56VI-G	CAT93C56VI-G	SOIC-8	2K	256 x 8/128 x 16	- 40 to + 85	2.5 to 5.5	.54	.42	.418	.385
◆ 698-CAT93C56YI-G	CAT93C56YI-G	TSSOP-8	2K	256 x 8/128 x 16	- 40 to + 85	2.5 to 5.5	.54	.42	.418	.385
◆ 698-CAT93C66LI-G	CAT93C66LI-G	PDIP-8	4K	512 x 8/256 x 16	- 40 to + 85	2.5 to 5.5	.70	.54	.472	.411
◆ 698-CAT93C66VI-G	CAT93C66VI-G	SOIC-8	4K	512 x 8/256 x 16	- 40 to + 85	2.5 to 5.5	.65	.48	.411	.356
◆ 698-CAT93C66YI-G	CAT93C66YI-G	TSSOP-8	4K	512 x 8/256 x 16	- 40 to + 85	2.5 to 5.5	.50	.40	.38	.353
◆ 698-CAT93C86LI-G	CAT93C86LI-G	PDIP-8	8K	2048 x 8/1024 x 16	- 40 to + 85	2.5 to 5.5	.90	.69	.607	.528
◆ 698-CAT93C86VI-G	CAT93C86VI-G	SOIC-8	8K	2048 x 8/1024 x 16	- 40 to + 85	2.5 to 5.5	.81	.62	.545	.474
◆ 698-CAT93C86YI-GT3	CAT93C86YI-GT3	SOIC-8	8K	2048 x 8/1024 x 16	- 40 to + 85	2.5 to 5.5	.68	.52	.465	.403

Features:

- High speed operation: 1MHz
- Low power CMOS technology
- 1.8 to 6.0 volt operation
- Selectable x8 or x16 memory organization
- Self-timed write cycle with auto-clear
- Hardware and software write protection
- Power-up inadvertent write protection
- 1,000,000 Program/erase cycles
- 100 year data retention
- Sequential read



RoHS Compliant

For quantities of 500 and up, call for quote.

CATALYST SPI BUS WITH LOW STANDBY CURRENT (MOTOROLA COMPATIBLE)

These SPI Serial CMOS EEPROMs use Catalyst's advanced CMOS Technology that substantially reduces device power requirements. They operate via the SPI bus serial interface and is enabled through a Chip Select (CS). In addition to the Chip Select, the clock input (SCK), data in (SI) and data out (SO) are required to access the device. The HOLD pin may be used to suspend any serial communication without resetting the serial sequence.

Features:

- 10 MHz SPI compatible
- 1.8 to 5.5 volt operation
- Hardware and software protection
- Low power CMOS technology
- SPI modes (0,0 & 1,1)
- 1,000,000 program/erase cycles
- 100 year data retention
- Self-timed write cycle
- 16-byte page write buffer
- Block write protection – Protect 1/4, 1/2 or all of EEPROM array



RoHS Compliant

For quantities of 500 and up, call for quote.

MOUSER STOCK NO.	Catalyst Part No.	Case Type	Density	Organization	Temperature Range (°C)	Operating Voltage (V)	Price Each			
							1	25	100	250
◆ 698-CAT25010LI-G	CAT25010LI-G	PDIP-8	1K	128 x 8	- 40 to + 85	1.8 to 5.5	.70	.54	.472	.411
◆ 863-CAT25010VE-GT3D	CAT25010VE-GT3D	SOIC-8	1K	128 x 8	- 40 to + 125	1.8 to 5.5	2.02	1.68	1.28	.962
◆ 698-CAT25010YI-G	CAT25010YI-G	TSSOP-8	1K	128 x 8	- 40 to + 85	1.8 to 5.5	.57	.42	.36	.312
◆ 698-CAT25020LI-G	CAT25020LI-G	PDIP-8	2K	256 x 8	- 40 to + 85	1.8 to 5.5	.74	.57	.499	.434
◆ 863-CAT25020VE-GT3	CAT25020VE-GT3	SOIC-8	2K	256 x 8	- 40 to + 125	1.8 to 5.5	2.49	2.07	1.57	1.18
◆ 698-CAT25020VI-G	CAT25020VI-G	SOIC-8	2K	256 x 8	- 40 to + 85	1.8 to 5.5	.85	.69	.629	.527
◆ 698-CAT25020YI-G	CAT25020YI-G	TSSOP-8	2K	256 x 8	- 40 to + 85	1.8 to 5.5	.38	.30	.30	.272
◆ 698-CAT25040LI-G	CAT25040LI-G	PDIP-8	4K	512 x 8	- 40 to + 85	1.8 to 5.5	.52	.42	.39	.36
◆ 698-CAT25040VI-G	CAT25040VI-G	SOIC-8	4K	512 x 8	- 40 to + 85	1.8 to 5.5	.66	.51	.447	.389
◆ 698-CAT25040YI-G	CAT25040YI-G	TSSOP-8	4K	512 x 8	- 40 to + 85	1.8 to 5.5	.62	.49	.472	.445
◆ 698-CAT25080LI-G	CAT25080LI-G	PDIP-8	8K	1024 x 8	- 40 to + 85	1.8 to 5.5	.52	.42	.39	.36
◆ 698-CAT25080VI-G	CAT25080VI-G	SOIC-8	8K	1024 x 8	- 40 to + 85	1.8 to 5.5	.94	.83	.73	.621
◆ 698-CAT25080YI-GT3	CAT25080YI-GT3	SOIC-8	8K	1024 x 8	- 40 to + 85	1.8 to 5.5	.67	.47	.404	.389
◆ 698-CAT25080YI-G	CAT25080YI-G	TSSOP-8	8K	1024 x 8	- 40 to + 85	1.8 to 5.5	.63	.50	.48	.454
◆ 698-CAT25080YI-GT3	CAT25080YI-GT3	TSSOP-8	8K	1024 x 8	- 40 to + 85	1.8 to 5.5	.79	.55	.471	.407
◆ 698-CAT25160LI-G	CAT25160LI-G	PDIP-8	16K	2048 x 8	- 40 to + 85	1.8 to 5.5	.98	.78	.686	.602
◆ 698-CAT25160VI-G	CAT25160VI-G	SOIC-8	16K	2048 x 8	- 40 to + 85	1.8 to 5.5	.83	.64	.558	.486
◆ 698-CAT25160YI-GT3	CAT25160YI-GT3	SOIC-8	16K	2048 x 8	- 40 to + 85	1.8 to 5.5	.68	.52	.465	.403
◆ 698-CAT25160YI-G	CAT25160YI-G	TSSOP-8	16K	2048 x 8	- 40 to + 85	1.8 to 5.5	.90	.70	.61	.531
◆ 698-CAT25160YI-GT3	CAT25160YI-GT3	TSSOP-8	16K	2048 x 8	- 40 to + 85	1.8 to 5.5	.54	.43	.417	.383
◆ 698-CAT25320LI-G	CAT25320LI-G	PDIP-8	32K	4096 x 8	- 40 to + 85	1.8 to 5.5	1.15	.99	.869	.745
◆ 698-CAT25320VI-G	CAT25320VI-G	SOIC-8	32K	4096 x 8	- 40 to + 85	1.8 to 5.5	.96	.76	.672	.59
◆ 698-CAT25320YI-GT3	CAT25320YI-GT3	SOIC-8	32K	4096 x 8	- 40 to + 85	1.8 to 5.5	.82	.63	.558	.484
◆ 698-CAT25320YI-GT3	CAT25320YI-GT3	TSSOP-8	32K	4096 x 8	- 40 to + 85	1.8 to 5.5	1.20	.92	.832	.703
◆ 698-CAT25128VI-G	CAT25128VI-G	SOIC-8	128K	16384 x 8	- 40 to + 85	1.8 to 5.5	1.51	1.20	1.05	.925
◆ 698-CAT25128YI-G	CAT25128YI-G	TSSOP-8	128K	16384 x 8	- 40 to + 85	1.8 to 5.5	1.80	1.44	1.35	1.26
◆ 698-CAT25256LI-G	CAT25256LI-G	PDIP-8	256K	32768 x 8	- 40 to + 85	1.8 to 5.5	2.15	1.78	1.60	1.35
◆ 698-CAT25256VI-G	CAT25256VI-G	SOIC-8	256K	32768 x 8	- 40 to + 85	1.8 to 5.5	2.66	2.30	2.03	1.67
◆ 698-CAT25256YI-G	CAT25256YI-G	SOIC-8	256K	32768 x 8	- 40 to + 85	1.8 to 5.5	1.90	1.52	1.43	1.33
◆ 698-CAT25256YI-G	CAT25256YI-G	TSSOP-8	256K	32768 x 8	- 40 to + 85	1.8 to 5.5	1.80	1.45	1.30	1.16