

# C&K SMT Tactile Switches



NEW AT MOUSER NEW AT MOUSER

## SERIES KMT NANO-MINATURE SMT TOP ACTUATED

**Features:**

- Smallest footprint
- High number of cycles within the smallest packaging
- Smallest thickness with integrated actuator
- Ground pin option
- Halogen free

**Applications:**

- Mobile Phones
- Hearing Aids
- MP3 accessories
- Bluetooth Headset

**Specification:**

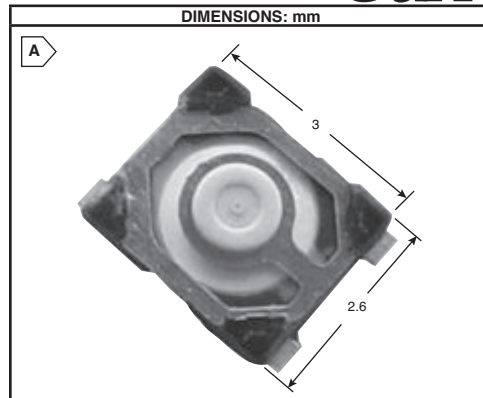
- Function: Momentary action
- Contact arrangement: 1 make contact = SPST, N.O.
- Terminals: J lead type for SMT



RoHS Compliant

For quantities of 250 and up, call for quote.

MOUSER STOCK NO.	C&K Part No	Fig.	Operating Force	Height (mm)	Price Each		
					1	25	100
611-KMT211GLFS	KMT211G LFS	A	100	0.65	.49	.45	.41
611-KMT211NGLFS	KMT211NG LFS	A	100	0.65	.49	.45	.41
611-KMT221GLFS	KMT221G LFS	A	160	0.65	.49	.45	.41
611-KMT221NGHFLFS	KMT221NGHFLFS	A	160	0.65	.46	.34	.27



## SERIES KMT0 NANO-MINATURE SMT TOP ACTUATED

**Features:**

- Smallest footprint
- High number of cycles within the smallest packaging
- Smallest thickness with integrated actuator
- Ground pin option
- IP57

**Applications:**

- Mobile Phones
- Hearing Aids
- MP3 accessories
- Bluetooth Headset

**Specification:**

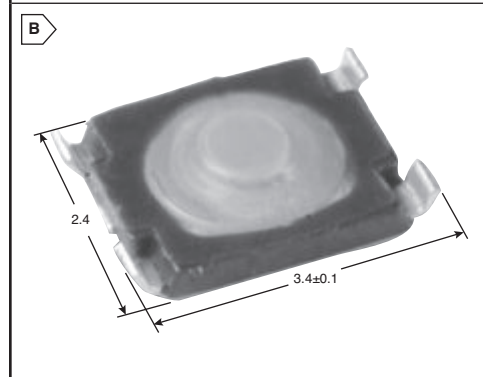
- Function: Momentary action
- Contact arrangement: 1 make contact = SPST, N.O.
- Terminals: J lead type for SMT



RoHS Compliant

For quantities of 250 and up, call for quote.

MOUSER STOCK NO.	C&K Part No	Fig.	Operating Force	Height (mm)	Price Each		
					1	25	100
611-KMT011NGJLHS	KMT011 NGJ LHS	B	100	0.65/0.63	.26	.24	.22
611-KMT021NGJLHS	KMT021 NGJ LHS	B	160	0.65/0.63	.26	.24	.22
611-KMT031NGJLHS	KMT031 NGJ LHS	B	340	0.65/0.63	.26	.24	.22
611-KMT071NGJLHS	KMT071 NGJ LHS	B	230	0.65/0.63	.26	.24	.22



C&K Tactile Switches

NEW AT MOUSER NEW AT MOUSER