

# MURATA SMD Inductors

RoHS Compliant This product is RoHS compliant.

**murata**  
Innovator in Electronics

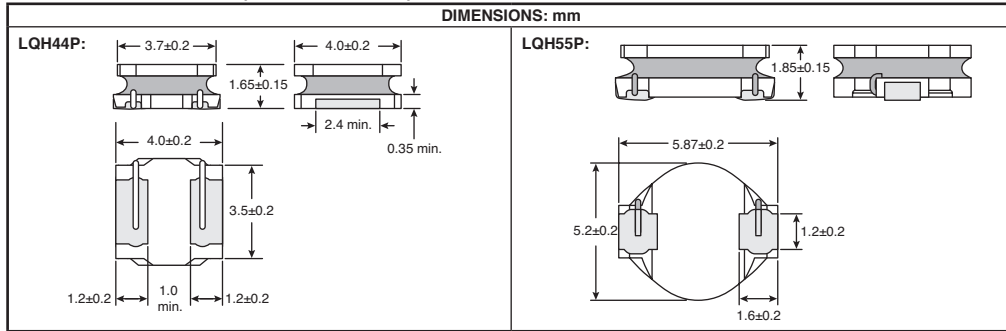
## LQH44P AND LQH55P SERIES

**Features:**

- Magnetically shielded structure
- Reflowable

**Specifications:**

- Temperature Range: -40°C to +85°C
- Inductance Range: 1.0uH to 22uH



For quantities of 5000 and up, call for quote.

MOUSER STOCK NO.	Murata Part No.	Case Size	Value (μH)	Tol.	Test Freq. (MHz)	SRF (Min.)	DCR (Max.)	Current (mA)	Price Each				Reel Qty.	Price Per Piece
									1	25	50	100		
<b>LQH44PP</b>														
81-LQH44PN1R0NP0L	LQH44PN1R0NP0L	1515	1	30%	1	90	0.03	2450	.53	.41	.397	.353	1000	.155
81-LQH44PN2R2MP0L	LQH44PN2R2MP0L	1515	2.2	20%	1	70	0.049	1800	.53	.41	.397	.353	1000	.155
81-LQH44PN3R3MP0L	LQH44PN3R3MP0L	1515	3.3	20%	1	50	0.065	1770	.53	.41	.397	.353	1000	.155
81-LQH44PN4R7MP0L	LQH44PN4R7MP0L	1515	4.7	20%	1	40	0.08	1700	.53	.41	.397	.353	1000	.155
81-LQH44PN6R8MP0L	LQH44PN6R8MP0L	1515	6.8	20%	1	35	0.12	1340	.53	.41	.397	.353	1000	.155
81-LQH44PN100MP0L	LQH44PN100MP0L	1515	10	20%	1	25	0.16	1170	.53	.41	.397	.353	1000	.155
81-LQH44PN220MP0L	LQH44PN220MP0L	1515	22	20%	1	17	0.37	790	.53	.41	.397	.353	1000	.155
81-LQH44PN1R0NJ0L	LQH44PN1R0NJ0L	1515	1	30%	100kHz	120	0.048	1530	.53	.41	.397	.353	2000	.15
81-LQH44PN1R5MJ0L	LQH44PN1R5MJ0L	1515	2	20%	100kHz	90	0.061	1380	.53	.41	.397	.353	2000	.15
81-LQH44PN2R2MJ0L	LQH44PN2R2MJ0L	1515	2.2	20%	100kHz	68	0.074	1230	.53	.41	.397	.353	2000	.15
81-LQH44PN3R3MJ0L	LQH44PN3R3MJ0L	1515	3.3	20%	100kHz	55	0.088	1000	.53	.41	.397	.353	2000	.15
81-LQH44PN4R7MJ0L	LQH44PN4R7MJ0L	1515	4.7	20%	100kHz	50	0.117	980	.53	.41	.397	.353	2000	.15
81-LQH44PN6R8MJ0L	LQH44PN6R8MJ0L	1515	6.8	20%	100kHz	38	0.143	860	.53	.41	.397	.353	2000	.15
81-LQH44PN100MJ0L	LQH44PN100MJ0L	1515	10	20%	100kHz	30	0.207	790	.53	.41	.397	.353	2000	.15
81-LQH44PN150MJ0L	LQH44PN150MJ0L	1515	15	20%	100kHz	25	0.385	610	.53	.41	.397	.353	2000	.15
81-LQH44PN220MJ0L	LQH44PN220MJ0L	1515	22	20%	100kHz	18	0.480	550	.53	.41	.397	.353	2000	.15
81-LQH44PN330MJ0L	LQH44PN330MJ0L	1515	33	20%	100kHz	15	0.740	430	.53	.41	.397	.353	2000	.15
81-LQH44PN470MJ0L	LQH44PN470MJ0L	1515	47	20%	100kHz	13	1.014	380	.53	.41	.397	.353	2000	.15
<b>LQH55PP</b>														
81-LQH55PN1R2NR0L	LQH55PN1R2NR0L	2220	1.2	30%	100kHz	80	0.021	2900	.62	.50	.463	.412	500	.18
81-LQH55PN2R2NR0L	LQH55PN2R2NR0L	2220	2.2	30%	100kHz	60	0.031	2500	.62	.50	.463	.412	500	.18
81-LQH55PN2R7NR0L	LQH55PN2R7NR0L	2220	2.7	30%	100kHz	50	0.04	2150	.62	.50	.463	.412	500	.18
81-LQH55PN4R7NR0L	LQH55PN4R7NR0L	2220	4.7	30%	100kHz	30	0.06	1750	.62	.50	.463	.412	500	.18
81-LQH55PN6R8NR0L	LQH55PN6R8NR0L	2220	6.8	30%	100kHz	25	0.087	1450	.62	.50	.463	.412	500	.26
81-LQH55PN100MR0L	LQH55PN100MR0L	2220	10	20%	100kHz	20	0.11	1250	.62	.50	.463	.412	500	.18
81-LQH55PN220MR0L	LQH55PN220MR0L	2220	22	20%	100kHz	10	0.26	850	.62	.50	.463	.412	500	.18