

Polymer Aluminum Electrolytic Capacitors



This product is RoHS compliant.

CORNELL DUBILIER

ULTRA LOW ESR 105°C SMD SOLID POLYMER ALUMINUM CAPACITORS

Solid polymer aluminum capacitors combine the high capacitance capability of an electrolytic component with the high frequency performance of film capacitors. When the need for low impedance at high frequency is critical for your design, one SPA chip is capable of replacing several liquid electrolyte aluminum or tantalum capacitors connected in parallel.

-Ideal for bypassing high frequency noise, and for switching frequency filtering in DC/DC conversion.
-The solid electrolyte delivers a typical expected operating life of more than 50 years.

Specifications:

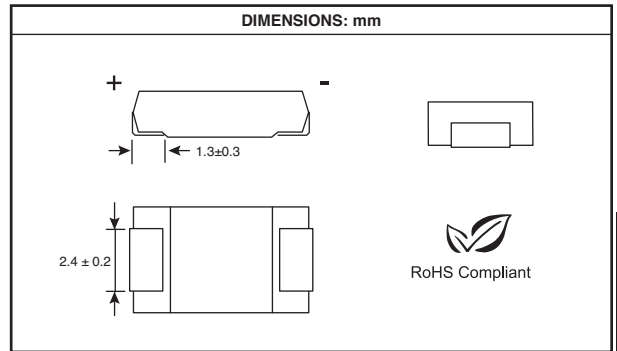
- Operating temperature range: -55°C to +105°C
- Surge voltage: 125% of rated voltage
- Capacitance tolerance: ±20% @ 120Hz and +20°C
- DC leakage current: ≤4V; to I ≤ .06CV (μA)
>4V; to I ≤ .04CV (μA) or 3μA

Applications:

- Motherboard By-Pass
- Switching supply input/output filters
- Power supply decoupling
- High frequency noise reduction
- Laptop LCD displays
- Automotive digital equipment
- Portable electronic equipment

Features:

- Ultra low E.S.R.
- High ripple current rating - up to 3.0 Amps
- Ultra stable - no change in imp. & e.s.r. from -55°C to +105°C
- Reduced parts count - replaces three or more tantalum caps
- Inherently more reliable, and ignition free



Aluminum Polymer Caps

ESRD

MOUSER STOCK NO.	CDE Part No.	Volt (DC)	Value (μF)	Max. ESR 1000KHz/20°C (Ω)	Max. Ripple Current 100KHz/105°C (Amps)	Case Size: mm (L x W x H)	Price Each					Reel Qty.	Price Per Piece
							1	50	100	500	1000		
5987-2V180D/R	ESRD181M02R	2.0	180	0.015	3.0	7.3 x 4.3 x 1.8	2.31	2.13	1.81	1.48	1.32	2000	1.18
598-ESRD100M06R	ESRD100M06R	6.3	10	0.055	1.4	7.3 x 4.3 x 2.8	1.22	1.13	.962	.787	.70	3500	.631
598-ESRD101M06R	ESRD101M06R	6.3	100	0.015	3.0	7.3 x 4.3 x 1.8	2.31	2.13	1.81	1.48	1.32	2000	1.18
598-ESRD330M08R	ESRD330M08R	8.0	33	0.018	2.5	7.3 x 4.3 x 2.8	1.30	1.20	1.01	.831	.735	3500	.666
5987-8V68/R	ESRD680M08R	8.0	68	0.015	3.0	7.3 x 4.3 x 1.8	2.31	2.13	1.81	1.48	1.32	2000	1.18
598-ESRD100M12R	ESRD100M12R	12.5	10	0.06	1.0	7.3 x 4.3 x 2.8	1.26	1.16	.99	.814	.717	3500	.648
5987-12.5V22DB	ESRD220M12R	12.5	22	0.03	1.6	7.3 x 4.3 x 2.8	1.30	1.20	1.01	.831	.735	3500	.666
598-ESRD2R2M16R	ESRD2R2M16R	16.0	2.2	0.11	1.0	7.3 x 4.3 x 2.8	1.22	1.13	.962	.787	.70	3500	.631
598-ESRD8R2M16R	ESRD8R2M16R	16.0	8.2	0.045	1.3	7.3 x 4.3 x 2.8	1.30	1.20	1.01	.831	.735	3500	.666

ESRE

598-ESRE271M02R	ESRE271M02R	2.0	270	0.012	3.3	7.3 x 4.3 x 4.1	3.46	3.21	2.72	2.23	1.97	2000	1.81
598-ESRE181M04R	ESRE181M04R	4.0	180	0.012	3.3	7.3 x 4.3 x 4.1	3.46	3.21	2.72	2.23	1.97	2000	1.81
598-ESRE151M06R	ESRE151M06R	6.3	150	0.012	3.3	7.3 x 4.3 x 4.1	3.46	3.21	2.72	2.23	1.97	2000	1.81

CORNELL DUBILIER

ENGINEERING DESIGN KITS



RoHS Compliant

ESRE

MOUSER STOCK NO.	CDE Part No.	Description	Cap. Range (μF)	Vdc	Price Each	
					1	5
5987-ESRE-KIT1	ESRE-KIT1	Polymer/Aluminum Electrolytics, Kit includes 6 pcs. each of 4 ratings (24 capacitors)	100-270	2-8	60.96	55.42
5987-ESRE-KIT2	ESRE-KIT2	Polymer/Aluminum Electrolytics, All Cap Values (7.3 x 4.3 x 4.2 mm high case); Kit includes 6 pcs. each of 7 ratings (42 capacitors)	100-330	2-8	48.62	44.48

ESRD

5987-ESRD-KIT4	ESRD-KIT4	Polymer/Aluminum Electrolytics, Kit includes 12 pcs. each of 6 ratings (72 capacitors)	4.7-47	6.3-16	44.70	40.63
5987-ESRD-KIT6	ESRD-KIT6	Polymer/Aluminum Electrolytics, Highest ESRD Cap Values, With A Low Profile Case, (7.3 x 4.3 x 1.8 mm high case); Kit includes 6 pcs. each of 5 ratings (30 capacitors)	8.2-56	4-16	32.22	29.32
5987-ESRD-KIT7	ESRD-KIT7	Polymer/Aluminum Electrolytics, Kit includes 10 pcs. each of 17 ratings (170 capacitors)	2.2-56	-	74.45	67.94
5987-ESRD-KIT8	ESRD-KIT8	Polymer/Aluminum Electrolytics, Kit includes 6 pcs. each of 5 ratings (30 capacitors)	68-180	2-8	33.41	30.48
5987-ESRD-KIT9	ESRD-KIT9	Polymer/Aluminum Electrolytics, Highest ESRD Cap Values (7.3 x 4.3 x 3.1 mm high case); Kit includes 6 pcs. each of 5 ratings (30 capacitors)	100-220	2-6.3	68.14	62.34

VISHAY ORGANIC POLYMER - SURFACE MOUNT ALUMINUM ELECTROLYTIC CAPACITORS

94SVP Series, OS-CON - SMD

Specifications:

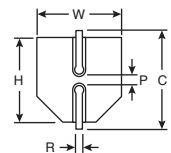
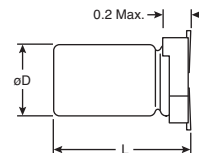
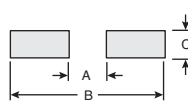
- Operating temperature: -55°C to +105°C
- Capacitance tolerance @20Hz: M; ±20%

Features:

- Superior heat-proof characteristics
- Rated ripple current values are guaranteed @ 105°C
- No need to consider derating on maximum allowable ripple current



Recommended Land Pattern



For quantities of 500 and up, call for quote.

MOUSER STOCK NO.	Vishay Part No.	Value (μF)	Voltage	Case Code	Dimensions: mm							Max. ESR	Max Allowable Ripple	Price Each			
					øD ±0.5	L (Max.)	W ±0.2	H ±0.2	C ±0.2	R	P ±0.2			1	50	100	200
75-94SVP476X0020E7	94SVP476X0020E7	47	20	E7	8	7	8.3	8.3	9	0.5 to 0.8	3.2	50	1700	6.90	5.86	4.33	3.52
75-94SVP686X0020F8	94SVP686X0020F8	68	20	F8	10	8	10.3	10.3	11	0.5 to 0.8	4.6	45	2200	5.85	4.71	3.76	3.46
75-94SVP107X0016F8	94SVP107X0016F8	100	16	F8	10	8	10.3	10.3	11	0.5 to 0.8	4.6	40	2400	5.39	4.35	3.47	3.19
75-94SVP107X0020E12	94SVP107X0020E12	100	20	E12	8	12	8.3	8.3	9	0.8 to 1.1	3.2	25	3260	5.95	4.57	3.64	3.36
75-94SVP157X0020F12	94SVP157X0020F12	150	20	F12	10	12.7	10.3	10.3	11	0.8 to 1.1	4.6	21	4220	6.61	5.34	4.26	4.02