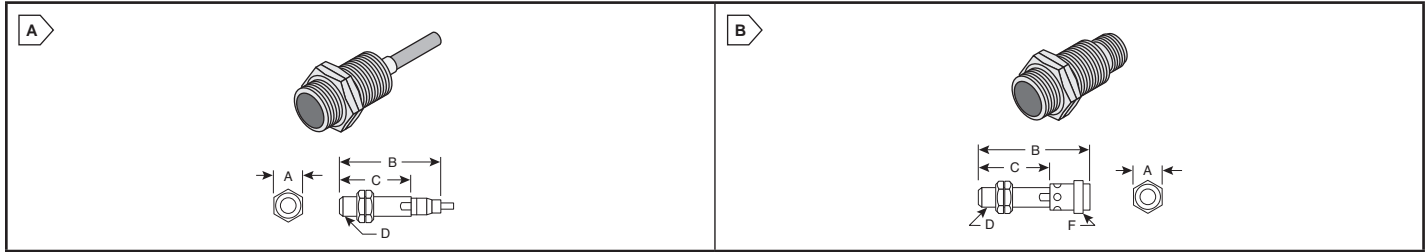


# OMRON Proximity Sensors

RoHS Compliant This product is RoHS compliant.

**OMRON**  
INDUSTRIAL AUTOMATION



## OMRON E2A SERIES: EXTENDED RANGED DC 3-WIRE PROXIMITY SENSORS

(For connectors see Phoenix Contact M8/M12 Connectors page.)

### Specifications:

- Operation with sensing object approaching: NO
- Supply voltage: 12-24 VDC
- Sensing object: Ferrous metal (Sensing distance decreases with non-ferrous metal)
- Differential travel (Hysteresis) : 10% max. of sensing distance
- Indicators: Operation indicator (yellow LED)
- Pre-wired versions have 2 meters of 3-conductor cable (6.56 ft.)

### Features:

- Ensures a sensing distance 1.5-2 times longer than standard proximity sensors
- Minimizes collisions
- Reduces the cost and frequency of proximity sensor replacement due to mechanical damage to the sensing face



RoHS Compliant

### Prewired, Shielded

For quantities greater than listed, call for quote.

MOUSER STOCK NO.	Omron Part No.	Fig.	Dimensions: mm						Size	Output	Thread Length	Sensing Distance	Price Each		
			A	B	C	D	E	F					1	5	10
<b>Nickel Plated Brass</b>															
653-E2AS08KN04WPB1	E2A-M12KS04-WP-B1-2M	A	17	50.3	34	M12x1	-	-	M12	PNP	34mm	4mm	63.52	55.78	53.57
653-E2AM18KS08WPB1	E2A-M18KS08-WP-B1-2M	A	24	59.5	39	M18x1	-	-	M18	PNP	39mm	8mm	69.15	61.21	57.48

For quantities greater than listed, call for quote.

MOUSER STOCK NO.	Omron Part No.	Fig.	Dimensions: mm						Size	Output	Thread Length	Sensing Distance	Price Each		
			A	B	C	D	E	F					1	5	10
<b>Stainless Steel</b>															
653-E2AS08KN04WPC12M	E2A-S08KN04-WP-C1 2M	A	13	40	27	M8x1	-	-	M8	NPN	27mm	4mm	73.14	67.51	64.18
653-E2AS08KS02WPC1	E2A-S08KS02-WP-C1-2M	A	13	40	27	M8x1	-	-	M8	NPN	27mm	2mm	66.45	59.46	57.00
653-E2AS08LS02WPC1	E2A-S08LS02-WP-C1-2M	A	13	62	49	M8x1	-	-	M8	NPN	49mm	2mm	79.63	72.96	70.39

### M12 Connector, Shielded

For quantities greater than listed, call for quote.

MOUSER STOCK NO.	Omron Part No.	Fig.	Dimensions: mm						Size	Output	Thread Length	Sensing Distance	Price Each		
			A	B	C	D	E	F					1	5	10
<b>Nickel Plated Brass</b>															
653-E2AM12LS04M1B1	E2A-M12LS04-M1-B1	B	17	70	56	M12x1	-	-	M12x1	PNP	56mm	4mm	89.95	80.18	76.71
653-E2AM12KS04WPB22M	E2A-M12KS04-WP-B2 2M	B	17	50.3	34	M12x1	-	-	M12	PNP	34mm	4mm	64.13	59.92	58.01
653-E2AM12LS04M1B2	E2A-M12LS04-M1-B2	B	17	70	56	M12x1	-	-	M12	PNP	56mm	4mm	79.05	72.97	69.36
653-E2AM18KS08M1B1	E2A-M18KS08-M1-B1	B	24	53	39	M18x1	-	M12x1	M18	PNP	39mm	8mm	95.03	86.21	85.08

For quantities greater than listed, call for quote.

MOUSER STOCK NO.	Omron Part No.	Fig.	Dimensions: mm						Size	Output	Thread Length	Sensing Distance	Price Each		
			A	B	C	D	E	F					1	5	10
<b>Stainless Steel</b>															
653-E2AS08KS02M1B1	E2A-S08KS02-M1-B1	B	13	43	27	M8x1	-	M12x1	M8	PNP	27mm	2mm	84.63	76.95	74.11
653-E2AS08KN04M1B1	E2A-S08KN04-M1-B1	B	13	43	27	M8x1	6	M12x1	M8	PNP	27mm	4mm	73.92	68.24	64.86

## OMRON E2E SERIES: SHORT BARREL INDUCTIVE PROXIMITY SENSORS

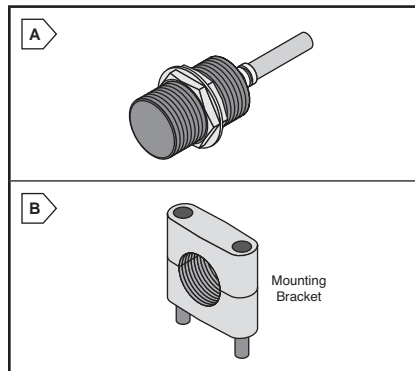
For quantities greater than listed, call for quote.

### Specifications:

- Supply voltage: 3-Wire miniature sensors: 10 - 30 VDC  
3-Wire and 2-Wire standard sensors: 12 - 24 VDC  
2-Wire AC sensors: 249-240 VACs
- Sensing material: Magnetic metal
- Housing materials: Stainless steel (SS), nickel-plated brass (NPB), brass

### Features:

- High visibility indicator
- NEMA 1, 3, 4, 6, 12, 13, and IP67 enclosure rating for miniature sensors
- NEMA 1, 4, 6, 12, 13, and IP67 enclosure rating for standard sensors
- Pre-wired with 2m cable



MOUSER STOCK NO.	Omron Part No.	Fig.	Barrel Size	Sensing Distance	Output	Housing Material	Price Each		
							1	5	10
<b>2-Wire Shielded</b>									
653-E2E-X2D1-M1	E2E-X2D1-M1	A	M8	2mm	NO	SS	81.05	76.34	72.94
653-E2E-X3D1-M1G	E2E-X3D1-M1G	A	M12	3mm	NO	NPB	93.56	85.06	77.97
653-E2E-X3D2-N	E2E-X3D2-N	A	M12	3mm	NO	NPB	114.52	104.11	95.44
653-E2E-X3D1-N-5M	E2E-X3D1-N-5M	A	M12	3mm	NO	NPB	84.40	80.67	76.20
<b>2-Wire Unshielded</b>									
653-E2E-X5MY1	E2E-X5MY1	A	M12	5mm	NO	NPB	105.27	94.74	91.59
<b>3-Wire Shielded</b>									
653-E2E-X1B1	E2E-X1B1	A	M5	1mm	PNP-NO	NPB	98.47	94.67	91.76
653-E2E-X1B2	E2E-X1B2	A	M5	1mm	PNP-NC	NPB	133.83	123.43	118.15
653-E2E-X1R5F1	E2E-X1R5F1	A	M8	1.5mm	PNP-NO	NPB	72.13	69.24	68.51
653-E2E-X2E1	E2E-X2E1	A	M12	2mm	NPN-NO	NPB	69.01	66.95	64.86
653-E2E-X10E1	E2E-X10E1	A	M30	10mm	NPN-NO	NPB	78.05	73.13	69.85
653-E2E-X10F1-M1	E2E-X10F1-M1	A	M30	10mm	PNP-NO	NPB	79.96	76.43	72.18
653-E2E-X1R5E1	E2E-X1R5E1	A	M8	1.5mm	NPN-NO	SS	65.35	57.72	54.11
653-E2E-X1R5F1-M1	E2E-X1R5F1-M1	A	M8	1.5mm	PNP-NO	SS	77.15	74.07	73.27
653-E2E-X2D1-M3G	E2E-X2D1-M3G	A	M8	2mm	NPN-NO	SS	81.12	77.54	73.23
653-E2E-X2F1	E2E-X2F1	A	M12	2mm	PNP-NO	NPB	71.01	66.90	62.62
<b>3-Wire Unshielded</b>									
653-E2E-X10ME1-M1	E2E-X10ME1-M1	A	M18	10mm	NPN-NO	NPB	68.33	66.60	64.89
653-E2E-X5ME1	E2E-X5ME1	A	M12	5mm	NPN-NO	NPB	88.43	79.59	76.94
653-E2E-X18ME1	E2E-X18ME1	A	M30	18mm	NPN-NO	NPB	71.76	68.59	64.78

### 2-Wire Shielded Accessories

MOUSER STOCK NO.	Omron Part No.	Fig.	Description	Price Each		
				1	5	10
653-Y92E-B12	Y92E-B12	B	Mounting bracket-M12 sensors	5.32	4.85	4.61
653-Y92E-B18	Y92E-B18	B	Mounting bracket-M18 sensors	3.78	3.49	3.26