

E-SWITCH Tactile Switches



This product is RoHS compliant.



TL SERIES TACTILE SWITCHES (CONT.)

Thru-hole

For quantities of 250 and up, call for quote.

MOUSER STOCK NO.	E-Switch Part No.	Fig.	Contact Material	Act. Height Dim. (A)	Operating Force (g)	Price Each			
						1	10	50	100
7.2mm x 5.08mm, Thru-hole									
612-TL6110AF13	TL6110AF130QP	A	Silver	4.7	130g	1.38	1.25	1.05	.833
612-TL6110BF13	TL6110BF130QP	A	Silver	5.2	130g	1.30	1.17	.99	.78
612-TL6110DF1	TL6110DF160QP	A	Silver	10	160g	1.32	1.19	1.01	.79
612-TL6110DF3	TL6110DF300QP	A	Silver	10	300g	1.42	1.28	1.09	.855
6.2mm, Long Life, Thru-hole									
612-TL1140AF070Q	TL1140AF070Q	B	Silver	7.35	70g	.55	.49	.42	.33

Features & Benefits:

- Right Angle, thru hole terminations
- Multiple single, and bi-color LED options
- Gold plated contacts for high reliability switching
- Sharp, tactile response
- Long travel

LED Specs.	Units	Blue	Red	Green	Yellow
Forward Current	mA	30	40	30	30
Forward Voltage	20mA	3.5-4.0 VDC	1.5-2.4 VDC	1.7-2.8 VDC	1.7-2.8 VDC
Luminous Intensity	mcd	350-700	75-120	60-100	45-75

8mm x 9.05mm, Right Angle, LED

For quantities of 250 and up, call for quote.

MOUSER STOCK NO.	E-Switch Part No.	Fig.	Plating	Act. Hght. Dim. (A)	Operating Force (g)	LED Color	Price Each			
							1	10	50	100
612-TL1290AF500BR	TL1290AF500BR	C	Gold	9.0	F500	Blue	4.97	4.47	3.64	3.06
612-TL1290AF500RR	TL1290AF500RR	C	Gold	9.0	F500	Red	5.40	4.86	3.96	3.33
612-TL1290AF500GR	TL1290AF500GR	C	Gold	9.0	F500	Green	5.77	5.19	4.23	3.56

6mm x 6mm

For quantities of 250 and up, call for quote.

MOUSER STOCK NO.	E-Switch Part No.	Fig.	Contact Material	Act. Hght. Dim. (A)	Operating Force (g)	Price Each			
						1	10	50	100
612-TL1150AF070Q	TL1150AF070Q	D	Silver	5.75mm	F070	.50	.45	.38	.30

4.5mm, SMT Low Profile

For quantities of 250 and up, call for quote.

MOUSER STOCK NO.	E-Switch Part No.	Fig.	Contact Material	Act. Hght. Dim. (A)	Operating Force (g)	Price Each					
						1	10	50	100		
612-TL3315NF100Q	TL3315NF100Q	C	Silver	100g	Gull Wing	.16	.15	.12	.10		
612-TL3315NF160Q	TL3315NF160Q	E	Silver	160g	Gull Wing	.16	.15	.12	.10		
612-TL3315NF250Q	TL3315NF250Q	E	Silver	250g	Gull Wing	.16	.15	.12	.10		

Specifications:

- Contact Rating: 50mA @ 12 VDC
- Life Expectancy: 30,000 cycles
- Contact Resistance: 500mΩ
- Operating Temperature: -25°C to 85°C

LED Specs.	Units	Green	Red	Yellow	Blue	White
Forward Current	mA	30	15	20	15	30
Forward Voltage	V	1.7-2.6	1.7-2.6	1.7-2.6	3.5-3.8	3.5-4.0
Luminous Intensity @ 20mA	mcd	6	4	5	45	180

4.5mm x 6.8mm, SMT, LED

For quantities of 250 and up, call for quote.

MOUSER STOCK NO.	E-Switch Part No.	Fig.	Contact Material	Act. Height Dim. (A)	Operating Force (g)	LED #1	LED #2	Price Each			
								1	10	50	100
612-TL3200AF160GRQ	TL3200AF160GRQ	F	Silver	2.5mm	F160	Green	Red	2.51	2.26	1.93	1.51
612-TL3200AF160RRQ	TL3200AF160RRQ	F	Silver	2.5mm	F160	Red	Red	2.51	2.26	1.93	1.51

Gull Wing and Right Angle

For quantities of 250 and up, call for quote.

MOUSER STOCK NO.	E-Switch Part No.	Fig.	Contact Material	Act. Height Dim. (A)	Operating Force (g)	Price Each			
						1	10	50	100
6.9mm x 2.5mm, Right Angle SMT, Gull Wing									
612-TL3330AF130QG	TL3330AF130QG	G	Silver	3.5	130g	.30	.27	.24	.21
612-TL3330AF260QG	TL3330AF260QG	G	Silver	3.5	260g	.30	.27	.24	.21

7.1mm, Right Angle SMT, Gull Wing

612-TL3320BF100QG	TL3320BF100QG	H	Silver	3.85	100g	.57	.51	.43	.34
612-TL3320AF130QG	TL3320AF130QG	H	Silver	3.15	130g	.57	.51	.43	.34
612-TL3320AF160QG	TL3320AF160QG	H	Silver	3.15	160g	.57	.51	.43	.34
612-TL3320BF250QG	TL3320BF250QG	H	Silver	3.85	250g	.47	.42	.36	.28

Features & Benefits:

- Dual Action Tact Switch
- Positive tactile feedback in 2 distinct positions
- Low profile, SMT design
- With or without actuator

TL3350 TACT SWITCHES SMT - DUAL ACTION

For quantities of 250 and up, call for quote.

MOUSER STOCK NO.	E-Switch Part No.	Fig.	Contact Material	Act. Height Dim. (A)	Operating Force (g)	Price Each		
						1	10	100
612-TL3350BF100Q	TL3350BF100Q	I	Silver	3.8	F100	.78	.73	.689
612-TL3350AF100Q	TL3350AF100Q	I	Silver	2.0	F100	1.27	1.02	.92

7.2mm x 5.08mm, SMT, Gull Wing

For quantities of 250 and up, call for quote.

MOUSER STOCK NO.	E-Switch Part No.	Fig.	Contact Material	Act. Height Dim. (A)	Operating Force (g)	Price Each			
						1	10	50	100
612-TL6120AF1	TL6120AF160QG	J	Silver	4.7	160g	.89	.80	.69	.56
612-TL6120AF3	TL6120AF300QG	J	Silver	4.7	300g	.95	.85	.738	.577
612-TL6120BF1	TL6120BF130QG	J	Silver	5.2	130g	.95	.85	.738	.599
612-TL6120CF1	TL6120CF160QG	J	Silver	6.9	160g	.90	.81	.69	.54
612-TL6120CF3	TL6120CF300QG	J	Silver	10	300g	.96	.86	.737	.598
612-TL6120DF3	TL6120DF300QG	J	Silver	10	300g	.90	.81	.69	.56

11.5mm Sealed Right Angle

612-TL6190AF220R	TL6190AF220R	K	Gold	2.9	220g	1.48	1.41	1.27	1.14
------------------	--------------	---	------	-----	------	------	------	------	------

TL6190 Tact Switches Cap

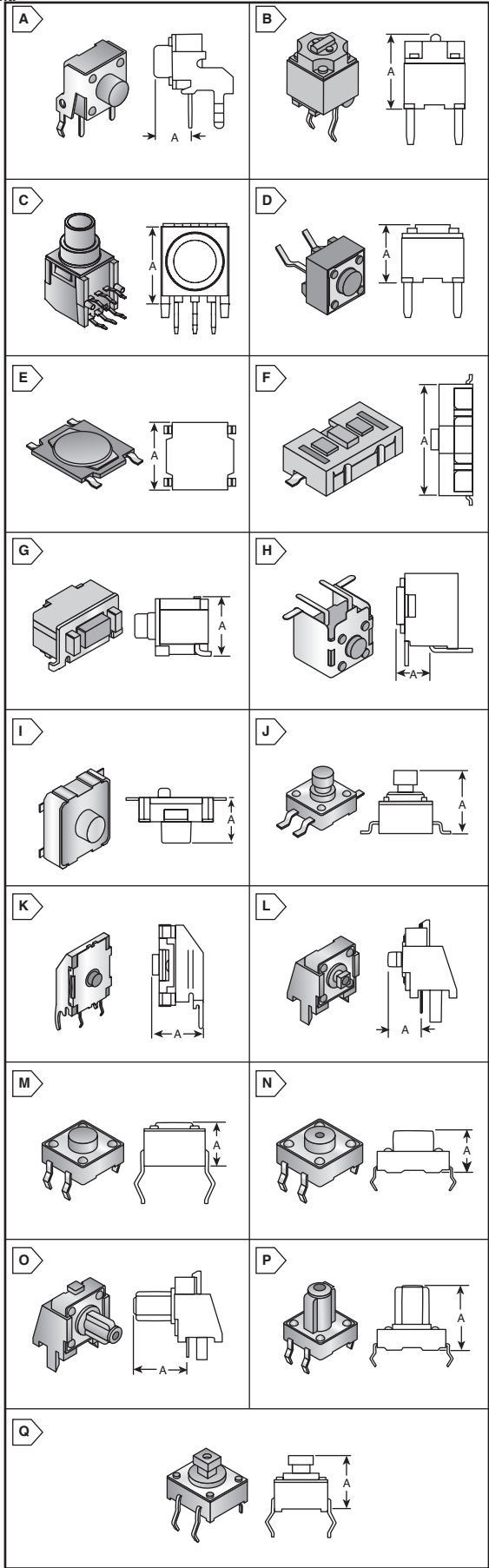
For quantities of 250 and up, call for quote.

MOUSER STOCK NO.	E-Switch Part No.	Shape	Price Each			
			1	10	50	100
612-TL6190CAP	TL6190CAP	Round	.25	.21	.20	.18

12mm, Thru-hole

For quantities of 250 and up, call for quote.

MOUSER STOCK NO.	E-Switch Part No.	Fig.	Contact Material	Act. Height Dim. (A)	Operating Force (g)	Price Each			
						1	10	50	100
612-TL1100C	TL1100CF160Q	L	Silver	6.45	160g	.73	.66	.565	.437
612-TL1100D	TL1100DF160Q	M	Silver	4.3	160g	.44	.40	.341	.266
612-TL1100E	TL1100EF160Q	N	Silver	7.5	160g	.46	.42	.352	.288
612-TL1100G	TL1100GF160Q	O	Silver	11.2	160g	.40	.37	.33	.30
612-TL1100F	TL1100FF160Q	P	Silver	12	160g	.42	.38	.32	.25
612-TL1100	TL1100F160Q	Q	Silver	3.3	160g	.42	.38	.32	.25



E-Switch Tactile Switches