

# Snap Action, Hook and Leaf Switches

RoHS Compliant This product is RoHS compliant.

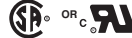
## CHERRY E SERIES: MINIATURE LOW TORQUE SNAP ACTION SWITCHES

**Specifications:**

- Package Size (In.) 1.218L x .580W x .687H

**Features:**

- Standard Force: 4.0 inch gms. max.
- Overtravel: 15f min.
- Movement Differential : 3f min.

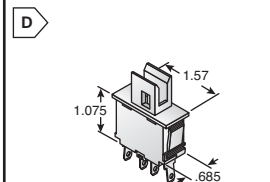
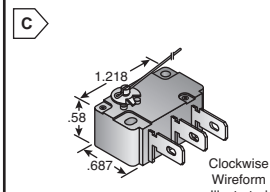
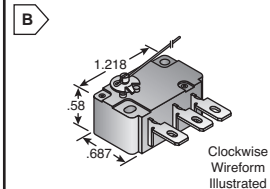
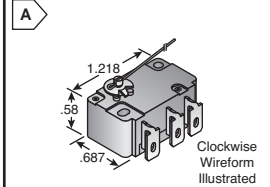


RoHS Compliant

For quantities greater than listed, call for quote.

| MOUSER STOCK NO. | Cherry Part No. | Fig. | Terminal Type            | Actuator Style             | Price Each |      |      |      |
|------------------|-----------------|------|--------------------------|----------------------------|------------|------|------|------|
|                  |                 |      |                          |                            | 1          | 50   | 100  | 250  |
| <b>6A 250VAC</b> |                 |      |                          |                            |            |      |      |      |
| 540-E51-00B      | E51-00B         | A    | .205 Std Parallel Q.C.   | Clockwise Wireform         | 9.83       | 7.87 | 6.49 | 5.89 |
| 540-E51-00E      | E51-00E         | A    | .205 Std Parallel Q.C.   | Counter-clockwise Wireform | 9.83       | 7.87 | 6.49 | 5.89 |
| 540-E51-00R      | E51-00R         | A    | .187 Std. Parallel Q.C.  | Clockwise Wireform         | 9.83       | 7.87 | 6.49 | 5.89 |
| 540-E51-00T      | E51-00T         | A    | .187 Std. Parallel Q.C.  | Counter-clockwise Wireform | 9.83       | 7.87 | 6.49 | 5.89 |
| 540-E51-50B      | E51-50B         | B    | .205 Vertical Twist Q.C. | Clockwise Wireform         | 9.83       | 7.87 | 6.49 | 5.89 |
| 540-E51-50E      | E51-50E         | B    | .205 Vertical Twist Q.C. | Counter-clockwise Wireform | 9.83       | 7.87 | 6.49 | 5.89 |
| 540-E51-50T      | E51-50T         | B    | .187 Vertical Twist Q.C. | Counter-clockwise Wireform | 9.83       | 7.87 | 6.49 | 5.89 |
| 540-E51-60B      | E51-60B         | C    | .205 Vertical Straight   | Clockwise Wireform         | 8.04       | 6.44 | 5.30 | 4.82 |
| 540-E51-60E      | E51-60E         | C    | .205 Vertical Straight   | Counter-clockwise Wireform | 9.55       | 7.64 | 6.30 | 5.72 |

**DIMENSIONS: in.**



**Accessories**

RoHS Compliant

For quantities greater than listed, call for quote.

| MOUSER STOCK NO. | Cherry Part No. | Description       | Price Each |     |     |     |
|------------------|-----------------|-------------------|------------|-----|-----|-----|
|                  |                 |                   | 1          | 50  | 100 | 250 |
| 540-0014-0645    | 0014-0645       | Wireform Actuator | .16        | .13 | .12 | .11 |

## CHERRY F80 SERIES: LINE INTERRUPT SWITCHES

**Specifications:**

- Package Size (In.) 1.570L x .685W x 1.075H

**Typical Applications:**

- Office Equipment
- Vending Machines

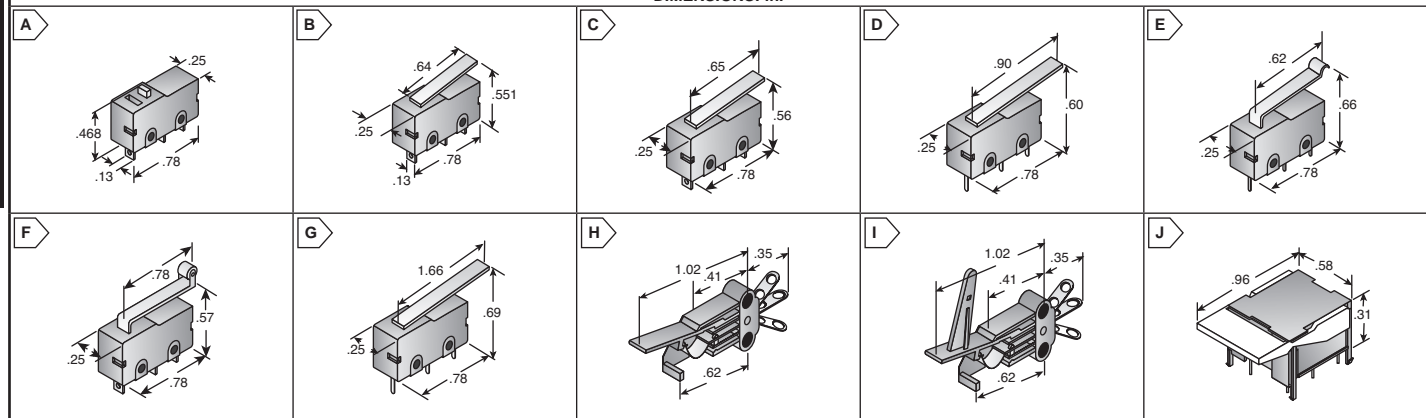


RoHS Compliant

For quantities greater than listed, call for quote.

| MOUSER STOCK NO.   | Cherry Part No. | Fig. | Terminal Type | Actuator Length (in.) | Actuator Style | Operating Force | Operating Position (in.) | Price Each |      |      |      |
|--|-----------------|------|---------------|-----------------------|----------------|-----------------|--------------------------|------------|------|------|------|
|  |                 |      |               |                       |                |                 |                          | 1          | 50   | 100  | 250  |
| <b>10A, 125/250VAC, 3/4 H.P., 125VAC, 1-1/2 H.P., 250VAC, 6A @ 30VDC</b> |                 |      |               |                       |                |                 |                          |            |      |      |      |
| 540-F81A-B120  | F81A-B120       | D    | .250 Q.C.     | ----                  | Button         | 866g            | .315±.393                | 9.87       | 8.54 | 7.40 | 6.63 |

**DIMENSIONS: in.**



Snap Action Switches

## Mountain Switch MINIATURE SNAP SWITCHES (SPDT)



RoHS Compliant

For quantities greater than listed, call for quote.

| MOUSER STOCK NO. | Fig. | Current Rating |           | Oper. Force (GMS.) | Travel (in.) | Price Each |      |      |      |
|------------------|------|----------------|-----------|--------------------|--------------|------------|------|------|------|
|                  |      | @ 125 VAC      | @ 250 VAC |                    |              | 1          | 50   | 100  | 500  |
| 101-1200-EV      | A    | 5A             | 5A        | 115                | .030         | 1.24       | 1.04 | .94  | .85  |
| 101-1201-EV      | B    | 5A             | 3A        | 50                 | .05          | 1.24       | 1.04 | .94  | .85  |
| 101-1202-EV      | C    | 5A             | 5A        | 25                 | .079         | 1.24       | 1.04 | .94  | .85  |
| 101-1203-EV      | D    | 5A             | 5A        | 18                 | .125         | 1.24       | 1.04 | .94  | .85  |
| 101-1204-EV      | E    | 5A             | 5A        | 28                 | .86          | 1.35       | 1.13 | 1.02 | .93  |
| 101-1205-EV      | F    | 5A             | 5A        | 30                 | .063         | 1.61       | 1.34 | 1.23 | 1.12 |
| 101-1206-EV      | G    | 5A             | 5A        | 10                 | .224         | 1.35       | 1.13 | 1.02 | .93  |



## HOOK AND LEAF SWITCHES



RoHS Compliant

( ) = Momentary

For quantities greater than listed, call for quote.

| MOUSER STOCK NO. | Fig. | Description | Type | Circuit | Price Each |     |     |     |
|------------------|------|-------------|------|---------|------------|-----|-----|-----|
|                  |      |             |      |         | 1          | 50  | 100 | 500 |
| 101-1302-EV      | H    | Leaf        | SPST | On-(On) | .31        | .27 | .26 | .24 |
| 101-1306-EV      | I    | Leaf        | SPST | On-(On) | .31        | .27 | .26 | .24 |
| 101-1401-EV      | J    | Hook        | DPDT | - - -   | .86        | .77 | .73 | .68 |