

PHOENIX CONTACT Terminal Blocks, Modules & Accessories



DEVICE TERMINAL BLOCKS FOR DIRECT MOUNTING

These G5 & G10 compact terminal blocks are used for main connections in electric and electronic equipment. They provide touch proof shock protection and have interlocking tongues and grooves. Two screws are provided with each.

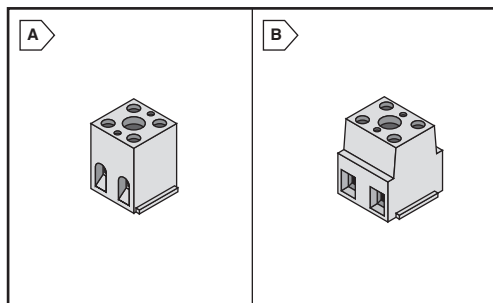


RoHS Compliant

• RoHS Compliant per Phoenix documentation

For quantities of 500 and up, call for quote.

MOUSER STOCK NO.		Fig.	Phoenix Type	No. of Pos.	AWG	Voltage Rating	Current Rating	Price Each			
Mfr.	Mfr. Part No.							1	10	50	100
651	—2716020	A	G 5/2	2	26 - 10	300V	30A	2.87	2.58	2.45	2.23
651	—2716033	A	G 5/3	3	26 - 10	300V	30A	4.08	3.65	3.28	3.16
651	—2716046	A	G 5/4	4	26 - 10	300V	30A	5.18	4.65	4.42	4.02
651	—2716703	B	G 10/2	2	24 - 6	600V	65A	7.58	6.80	6.46	5.88
651	—2716716	B	G 10/3	3	24 - 6	600V	65A	11.38	10.21	9.16	8.83
651	—2716729	B	G 10/4	4	24 - 6	600V	65A	15.18	13.61	12.94	11.78



VIOK 4 LEVEL SENSOR & ACTUATOR TERM. BLOCKS FOR DIN RAIL MNTG.

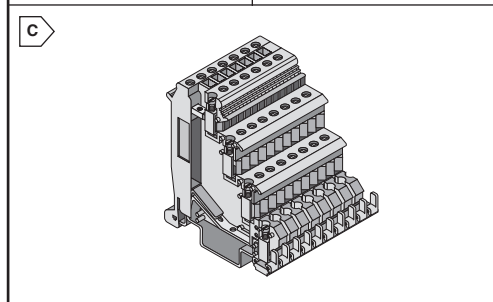
- The VIOK 1,5-2D offers 2 feed-Through and 2 Busbar levels
- The VIOK 1,5-3D/PE offers 4 conductor feed-through terminal blocks which serves for the power supply of the VIOK terminal blocks
- Only one terminal block is needed for sensors and actuators
- RoHS Compliant per Phoenix documentation



RoHS Compliant

For quantities of 100 and up, call for quote.

MOUSER STOCK NO.		Fig.	Phoenix Type	AWG	Voltage Rating	Current Rating	Width (mm)	Length (mm)	Price Each		
Mfr.	Mfr. Part No.								1	10	50
651	—2718015	C	VIOK 1,5	30 - 14	300V	15A	6.2	62.5	9.02	8.09	7.69
651	—2718196	C	VIOK 1,5-2D	30 - 14	300V	15A	6.2	73	9.01	8.08	7.61
651	—2718206	C	VIOK 1,5-3D/PE	30 - 14	300V	15A	6.2	82.5	11.98	10.75	10.21

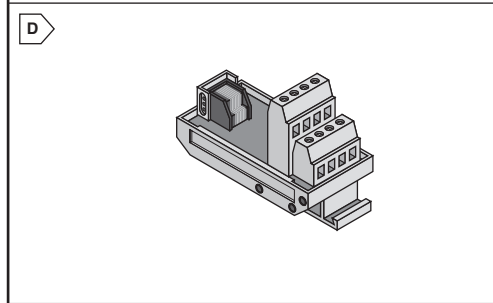


UMKRJ SERIES RJ-11/45 MODULE FOR DIN RAIL MOUNTING

The RJ-11/45 module allows the modular jack connection to be converted to discrete wiring. This module is ideal for the use of Ethernet breakouts.

For quantities of 50 and up, call for quote.

MOUSER STOCK NO.		Fig.	Phoenix Type	Description	Price Each			
Mfr.	Mfr. Part No.				1	5	10	25
651	—5543643	D	UMK-RJ11/6	Converts 1 RJ11 jack to 6 discrete wires	50.59	45.07	41.84	39.27
651	—5543630	D	UMK-RJ11/8	Converts 1 RJ11 jack to 8 discrete wires	53.70	48.15	44.41	41.67
651	—5525946	D	UMK-RJ 45/10	Converts 1 RJ45 jack to 10 discrete wires	56.58	51.51	47.84	44.90

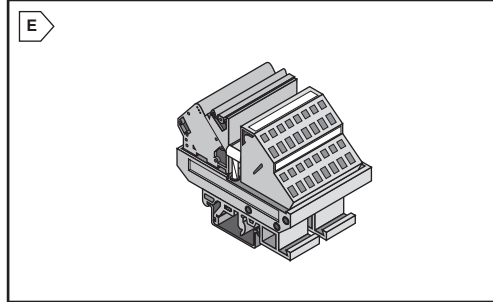


VARIOFACE MODULES AS COMPACT POTENTIAL DISTRIBUTORS FOR DIN RAIL MOUNTING

Each module allows potential distribution for two potentials (P1, P2) using spring cage terminals.

For quantities of 50 and up, call for quote.

MOUSER STOCK NO.		Fig.	Phoenix Type	No. of Terminal Connections	Module Width	AWG	Price Each			
Mfr.	Mfr. Part No.						1	5	10	25
651	—2302353	E	UMK-PVB2/16 ZFKDS	16	450	24 - 12	55.58	50.59	46.99	44.29
651	—2302366	E	UMK-PVB2/24 ZFKDS	24	67.5	24 - 12	61.62	56.11	52.09	49.12

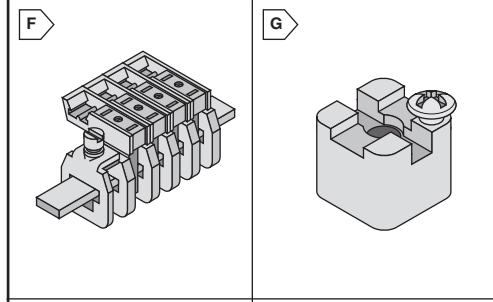


BUSBAR SYSTEMS

Used in Neutral(N), Ground(PE), and Phase Conductors (L1,L2,L3) Terminal Block Connections.

For quantities of 100 and up, call for quote.

MOUSER STOCK NO.		Fig.	Phoenix Type	Description	Price Each		
Mfr.	Mfr. Part No.				1	5	50
651	—0404017	F	AK 4	Terminal Block Connection without Insulating Cap	.76	.668	.637
651	—0421032	F	AKG 4 BK	Terminal Block Conn., Black Insulating Cap for L1, L2, L3	1.09	.968	.932
651	—0421016	F	AKG 4 BU	Terminal Block Connection, Blue Insulating Cap for N	1.09	.968	.932
651	—0421029	F	AKG 4 GNYE	Terminal Block Conn., Green-Yellow Insulating Cap for PE	1.03	.93	.885
651	—0404428	G	AB/SS	Busbar support with screw, 3x10 mm or 6x6mm busbar	1.83	1.63	1.55
651	—0404431	H	AB2/SS	Double Busbar Support, 48mm high, 3x10mm or 6x6mm	3.00	2.68	2.56
651	—0402174	I	NLS-CU 3/10	Neutral Busbar, 3x10mm, 1m long, Nominal Current: 140A	16.67	15.95	15.16



ACCESSORIES

For Device Terminal Blocks

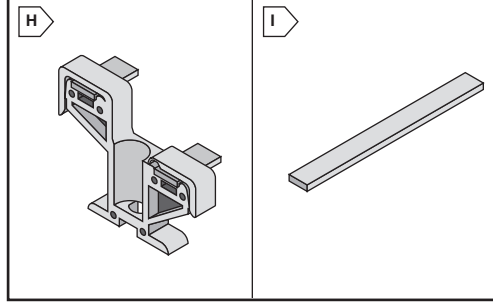
For quantities of 100 and up, call for quote.

MOUSER STOCK NO.		Phoenix Type	Description	Price Each		
Mfr.	Mfr. Part No.			1	5	50
651	—1401404	BN WH	Unprinted Marker Pin to use with M-Pen	.22	.20	.188
651	—1205053	SZS 0,6 X 3,5	Screwdriver	13.58	13.05	12.46

For High Current Feed-Through Terminal Blocks

For quantities of 100 and up, call for quote.

MOUSER STOCK NO.		Phoenix Type	Description	Price Each		
Mfr.	Mfr. Part No.			1	5	50
651	—3118135	EBS-10-8	Fully insulated Insertion Bridge, Divisible	5.41	4.85	4.31
651	—1205053	SZS 0,6 X 3,5	Screwdriver	13.58	13.05	12.46



For VIOK Four Level Terminal Blocks

For quantities of 100 and up, call for quote.

MOUSER STOCK NO.		Phoenix Type	Description	Price Each		
Mfr.	Mfr. Part No.			1	5	50
651	—0203250	FBI 10-6	10 Position Fixed Bridge, Divisible	7.90	7.08	6.37
651	—2715940	EB 80-DIK-BU	80 Position Insertion Bridge, (Middle), Divisible	51.29	44.20	40.85
651	—2715953	EB 80-DIK-RD	80 Position Insertion Bridge, (Lower), Divisible	51.29	44.20	40.85