

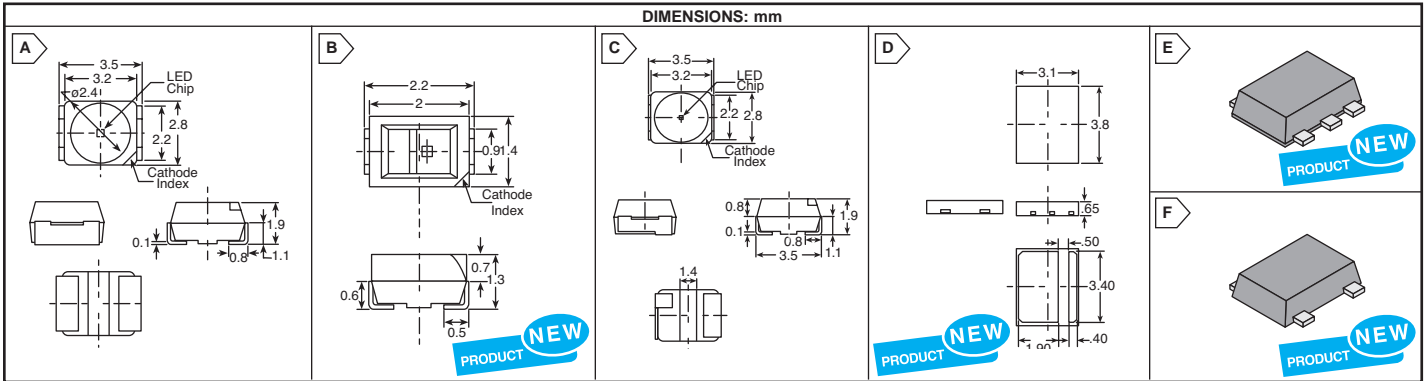
TOSHIBA Visible LEDs

TOSHIBA
Leading Innovation >>>

RoHS Compliant This product is RoHS compliant.

LED Indication

Toshiba



Toshiba America Electronic Components, Inc., (TAEC)* has expanded its lineup of compact, high-efficiency white light emitting diodes (LEDs) with new devices in PLCC-2 packages. Toshiba ranks in the top 10 (2005 Marketing Eye) as a leading, worldwide supplier of white LED drivers (W-LEDD). Toshiba's family of W-LEDDs feature high brightness with low-power consumption and small package size, making them ideal for LCD backlight and secondary camera flash applications.

LEDS FOR DISPLAY APPLICATIONS

For quantities greater than listed, call for quote.

MOUSER STOCK NO.	Toshiba Part No.	Fig.	Package Size	Case Size	LED Size	Color	Wavelength	Luminous Intensity Typ (mcd)	Current @ IF (mA)	Voltage (Max.)	Viewing Angle	Price Each			
												1	10	100	250
757-TLRE1100BT11	TLRE1100B(T11)	A	3.5 x 2.8	PLCC	2.2mm	Red	630nm	100	20	2.4	120	.28	.21	.19	.16
757-TLRK1100CT11	TLRK1100C(T11)	A	3.5 x 2.8	PLCC	2.2mm	Red	630nm	300	20	2.5	120	.28	.21	.19	.16
757-TLRM1060T18	TLRM1060(T18)	B	2.2 x 1.4	Mini PLCC	.09mm	Red	630nm	350	20	2.5	100	.46	.42	.39	.35
757-TLRM1108T11	TLRM1108(T11)	A	3.2 x 2.9	PLCC	2.2mm	Red	630nm	1300	50	2.5	120	.50	.46	.42	.38
757-TLRMK1100CT11	TLRMK1100C(T11)	A	3.5 x 2.8	PLCC	2.2mm	Red	626nm	400	20	2.5	120	.28	.21	.19	.16
757-TLRMM1060T18	TLRMM1060(T18)	B	2.2 x 1.4	Mini PLCC	.09mm	Red	626nm	450	20	2.5	100	.46	.42	.39	.35
757-TLRMM1108T11	TLRMM1108(T11)	A	3.2 x 2.9	PLCC	2.2mm	Red	626nm	1600	50	2.5	120	.50	.46	.42	.38
757-TLSE1100BT11	TLSE1100B(T11)	A	3.5 x 2.8	PLCC	2.2mm	Red	613nm	180	20	2.4	120	.28	.21	.19	.16
757-TLSH1100BT11	TLSH1100B(T11)	A	3.5 x 2.8	PLCC	2.2mm	Red	613nm	260	20	2.3	120	.28	.21	.19	.16
757-TLSH1106T11	TLSH1106(T11)	C	3.2 x 2.8	PLCC	2.2mm	Red	613nm	500	50	2.5	120	.28	.21	.19	.16
757-TLSK1100CT11	TLSK1100C(T11)	A	3.5 x 2.8	PLCC	2.2mm	Red	613nm	500	20	2.5	120	.28	.21	.19	.16
757-TLSM1060T18	TLSM1060(T18)	B	2.2 x 1.4	Mini PLCC	.09mm	Red	613nm	650	20	2.5	100	.46	.42	.39	.35
757-TLSM1108T11	TLSM1108(T11)	A	3.2 x 2.9	PLCC	2.2mm	Red	613nm	2400	50	2.5	120	.50	.46	.42	.38
757-TLOE1100BT11	TLOE1100B(T11)	A	3.5 x 2.8	PLCC	2.2mm	Orange	605nm	150	20	2.4	120	.28	.21	.19	.16
757-TLOH1100BT11	TLOH1100B(T11)	A	3.5 x 2.8	PLCC	2.2mm	Orange	605nm	270	20	2.3	120	.28	.21	.19	.16
757-TLOM1108T11	TLOM1108(T11)	B	3.2 x 2.9	Mini PLCC	2.2mm	Orange	605nm	2500	50	2.55	120	.50	.46	.42	.38
757-TLYK1100CT11	TLYK1100C(T11)	A	3.5 x 2.8	PLCC	2.2mm	Yellow	590nm	400	20	2.5	120	.28	.21	.19	.16
757-TLYM1060T18	TLYM1060(T18)	B	2.2 x 1.4	Mini PLCC	.09mm	Yellow	590nm	650	20	2.5	100	.46	.42	.39	.35
757-TLYM1108T11	TLYM1108(T11)	A	3.5 x 2.9	PLCC	2.2mm	Yellow	590nm	2200	50	2.55	120	.50	.46	.42	.38
757-TLYE1100BT11	TLYE1100B(T11)	A	3.5 x 2.8	PLCC	2.2mm	Yellow	587nm	150	20	2.4	120	.28	.21	.19	.16
757-TLYH1106T11	TLYH1106(T11)	A	3.2 x 2.8	PLCC	2.2mm	Yellow	587nm	220	20	2.5	120	.28	.21	.19	.16
757-TLYH1100BT11	TLYH1100B(T11)	A	3.5 x 2.8	PLCC	2.2mm	Yellow	587nm	220	20	2.3	120	.28	.21	.19	.16
757-TLPYF1060T18	TLPYF1060(T18)	B	2.2 x 1.4	Mini PLCC	.09mm	Yellow	580nm	180	20	2.5	100	.38	.297	.246	.184
757-TLGF1060T18	TLGF1060(T18)	B	2.2 x 1.4	Mini PLCC	.09mm	Green	571nm	80	20	2.5	100	.38	.297	.246	.184
757-TLGH1100BT11	TLGH1100B(T11)	A	3.5 x 2.8	PLCC	2.2mm	Green	571nm	150	20	2.5	120	.38	.297	.246	.184
757-TLGH1106T11	TLGH1106(T11)	A	3.5 x 2.8	PLCC	2.2mm	Green	571nm	200	50	2.5	120	.38	.297	.246	.184
757-TLPGF1060T18	TLPGF1060(T18)	B	2.2 x 1.4	Mini PLCC	.09mm	Green	558nm	20	20	2.5	100	.38	.297	.246	.184
757-TLPGF1100BT11	TLPGF1100B(T11)	A	3.5 x 2.8	PLCC	2.2mm	Green	558nm	25	20	2.4	120	.38	.297	.246	.184
757-TLEGD1060T18	TLEGD1060(T18)	B	2.2 x 1.4	Mini PLCC	.09mm	Green	528nm	150	20	4	100	.67	.546	.412	.328
757-TLEGD1100BT11	TLEGD1100B(T11)	A	3.5 x 2.8	PLCC	2.2mm	Green	528nm	200	20	4	120	.24	.220	.200	.180
757-TLEGE1100BT11	TLEGE1100B(T11)	A	3.5 x 2.8	PLCC	2.2mm	Green	528nm	350	20	4.4	120	.56	.51	.45	.42
757-TLEGF1100CT11	TLEGF1100C(T11)	A	3.2 x 2.9	PLCC	2.2mm	Green	528nm	700	30	3.2	120	.50	.46	.42	.38
757-TLGTE1100BT11	TLGTE1100B(T11)	A	3.5 x 2.8	PLCC	2.2mm	Green	505nm	300	20	4.5	120	.82	.67	.56	.53
757-TLEGF1108T11	TLEGF1108(T11)	A	3.5 x 2.9	PLCC	2.2mm	Green	528nm	2000	50	3.5	120	.50	.46	.42	.38
757-TLBD1100BT11	TLBD1100B(T11)	A	3.5 x 2.8	PLCC	2.2mm	Blue	470nm	70	10	4	120	.24	.22	.20	.18
757-TLBF1108T11	TLBF1108(T11)	A	3.5 x 2.9	PLCC	2.2mm	Blue	470nm	560	50	3.5	120	.50	.46	.42	.38
757-TLBF1100CT11	TLBF1100C(T11)	A	3.2 x 2.8	PLCC	2.2mm	Blue	468nm	300	30	3.2	120	.50	.46	.42	.38
757-TLCBD1060T18	TLCBD1060(T18)	B	2.2 x 1.4	Mini PLCC	.09mm	ICE Blue	-----	90	10	3.8	-----	.47	.44	.40	.36
757-TLWD1060T18	TLWD1060(T18)	B	2.2 x 1.4	Mini PLCC	.09mm	White	-----	90	10	3	100	.31	.28	.26	.23
757-TLWF1100CT11	TLWF1100C(T11)	A	3.2 x 2.9	PLCC	2.2mm	White	-----	1600	30	3.2	120	.36	.33	.31	.28
757-TLWLF1108T11	TLWLF1108(T11)	A	3.5 x 2.9	PLCC	2.2mm	White	-----	2500	50	3.5	120	.50	.46	.42	.38
757-TLWLF1108T11	TLWLF1108(T11)	A	3.5 x 2.9	PLCC	2.2mm	White	-----	3200	50	3.5	120	.52	.48	.44	.41
757-TLWNF1108T11	TLWNF1108(T11)	A	3.5 x 2.9	PLCC	2.2mm	White	-----	3200	50	3.5	120	.50	.46	.42	.38
757-TLWF1109T11	TLWF1109(T11)	A	3.5 x 2.9	PLCC	2.2mm	White	-----	3200	50	3.5	120	.52	.48	.44	.40
757-TLWNF1109T11	TLWNF1109(T11)	A	3.5 x 2.9	PLCC	2.2mm	White	-----	3200	50	3.5	120	.52	.48	.44	.40

LEDS FOR LIGHTING APPLICATIONS

For quantities greater than listed, call for quote.

MOUSER STOCK NO.	Toshiba Part No.	Fig.	Package Size	Color	Color/Temp Wavelength	Luminous Flux ov (lm)	Chromaticity		Current @ IF (mA)	Forward Voltage (Max.)	Half-Value Angle (°)	Price Each			
							Cx @ 300mA	Cy @ 300mA				1	10	100	250
757-TL19W01L-T32	TL19W01-L(T32)	D	3.1 x 3.8	White	3000K	100	0.434	0.403	300	3.3	130	3.92	3.53	2.87	2.61
757-TL19W01-LH2T32	TL19W01-LH2(T32)	D	3.1 x 3.8	White	3000K	80	0.434	0.403	300	3.3	130	3.92	3.53	2.87	2.61
757-TL19W01-WWT32	TL19W01-WW(T32)	D	3.1 x 3.8	White	3500K	100	0.407	0.392	300	3.3	130	3.92	3.53	2.87	2.61
757-TL19W01-WT32	TL19W01-W(T32)	D	3.1 x 3.8	White	4000K	110	0.382	0.380	300	3.3	130	3.92	3.53	2.87	2.61
757-TL19W01-NT32	TL19W01-N(T32)	D	3.1 x 3.8	White	5000K	120	0.345	0.355	300	3.3	140	3.92	3.53	2.87	2.61
757-TL19W01-NH2T32	TL19W01-NH2(T32)	D	3.1 x 3.8	White	5000K	90	0.345	0.355	300	3.3	130	3.92	3.53	2.87	2.61
757-TL19W01-DT32	TL19W01-D(T32)	D	3.1 x 3.8	White	6500K	110	0.313	0.329	300	3.3	140	3.92	3.53	2.87	2.61

DIGITAL OUTPUT MAGNETIC SENSORS

For quantities greater than listed, call for quote.

MOUSER STOCK NO.	Toshiba Part No.	Fig.	Package Type	Detection Polarity	Output Structure	Power Supply Voltage (V)	Magnetic Flux Sensitivity (mT)		Output Current (mA)	Operating Temp. (°C)	Half-Value Angle (°)	Price Each			
							Operating Point	Releasing Point				1	10	100	250
757-TCS10DLUTE85LF	TCS10DLU(TE85L,F)	E	UFV	Dual	Open-Drain Push-Pull	2.3 to 3.6	±1.8	±1.8	±0.8	5	-40 to 85	.66	.528	.396	.342
757-TCS10DPUTE85LF	TCS10DP(U)TE85L,F)	E	UFV	Dual	Push-Pull	2.3 to 3.6	±1.8	±0.8	±1.0	-40 to 85	.66	.528	.396	.342	
757-TCS20DLRLFT	TCS20DLR,LF(T)	F	SOT-23F	Dual	Open-Drain	2.3 to 3.6	±3.4	±2.0	±5	-65 to 150	.58	.58	.456	.312	.26
757-TCS20DPRLFT	TCS20DPR,LF(T)	F	SOT-23F	Dual	Push-Pull	2.3 to 3.6	±3.4	±2.0	±5	-65 to 150	.58	.58	.456	.312	.26