

# JAE Connectors



This product is RoHS compliant.

## MX19 SERIES 2.5MM WATERPROOF CABLE-TO-CABLE CONNECTORS

- Mechanical lock system enables complete mating with a click
- Rear cover protects the grommet from damage on terminal insertion
- Terminals have a two-plate spring mechanism with long beam length, which results in a low force insertion and stress dispersion
- Contact Spacing 2.5mm (.098")
- Current Rating: 5A
- Insulation Resistance: 100 Megohm min.
- Waterproofing: Compliant with JIS D0203 S1
- Applicable wire: Type CAVS,AVSS, 22-20AWG

For quantities of 500 and up, call for quote.

MOUSER STOCK NO.	JAE Part No.	Fig.	No. of Pos.	Description	Price Each			
					1	25	100	250
656-MX19002P51	MX19002P51	A	2	Pin Housing Black	.62	.568	.477	.446
656-MX19004P51	MX19004P51	A	4	Pin Housing Black	.77	.694	.575	.555
656-MX19002S51	MX19002S51	B	2	Socket Housing Black	1.02	.926	.775	.735
656-MX19004S51	MX19004S51	B	4	Socket Housing Black	1.20	1.08	.90	.84
<b>Contacts</b>								
656-MX19P10K451	MX19P10K451-C100	-	-	Crimp Pin Contact	.11	.09	.07	.06
656-MX19S10K451	MX19S10K451-C100	-	-	Crimp Socket Contact	.12	.11	.09	.08

## MX23 SERIES 2.5MM WATERPROOF WIRE TO BOARD CONNECTORS

- Full water proof grommet is used for socket contact crimping area in order to reduce size
- Low profile type with board mounting height of 18.3 mm and socket connector height of 22.2mm max.
- Contact Spacing 2.5mm (.098")
- Current Rating: 3A
- Applicable wire: Type AVSS, AVS, 22-16AWG
- Dielectric withstanding voltage: 1000 VACr.m.s. (1 minute)

For quantities of 500 and up, call for quote.

MOUSER STOCK NO.	JAE Part No.	Fig.	No. of Pos.	Description	Price Each			
					1	25	100	250
656-MX23A18NF1	MX23A18NF1	C	18	Pin Header	5.89	5.45	4.83	4.53
656-MX23A26NF1	MX23A26NF1	C	26	Pin Header	7.96	6.08	5.37	5.19
656-MX23A34NF1	MX23A34NF1	C	34	Pin Header	8.16	7.56	6.28	6.00
656-MX23A18SF1	MX23A18SF1	D	18	Socket Housing	4.67	4.21	3.51	3.34
656-MX23A26SF1	MX23A26SF1	D	26	Socket Housing	7.62	5.83	5.12	4.95
656-MX23A34SF1	MX23A34SF1	D	34	Socket Housing	8.51	5.91	5.22	5.04
656-MX23A18XF1	MX23A18XF1	E	18	Front Cap	1.23	1.11	.926	.886
656-MX23A26XF1	MX23A26XF1	E	26	Front Cap	1.72	1.54	1.28	1.23
656-MX23A34XF1	MX23A34XF1	E	34	Front Cap	2.15	1.72	1.43	1.32
<b>Contacts</b>								
656-M23S05K351	M23S05K351	-	-	Crimp Socket Contact	.11	.09	.07	.06
656-M120-55780	M120-55780	-	-	Dummy Plug	.16	.147	.126	.115

## IL-Z SERIES 1.25MM SMT PCB TO CABLE CRIMP CONNECTORS

- Low Profile, 3.45mm above board
- Pin headers suited for automatic packaging
- Crimp to wire sockets
- Operating Temperature: -40° to +70°C
- RoHS Compliance per JAE documentation
- Current Rating: 1 A
- AWG Range: 28-30
- Crimp contacts sold separately

For quantities of 500 and up, call for quote.

MOUSER STOCK NO.	JAE Part No.	Fig.	No. of Pos.	Description	Price Each			
					1	25	100	250
656-IL-Z-2PL-SMTYE	IL-Z-2PL-SMTYE	F	2	Right Angle SMT Pin Header	.33	.28	.24	.24
656-IL-Z-5PL-SMTYE	IL-Z-5PL-SMTYE	F	5	Right Angle SMT Pin Header	.41	.35	.30	.29
656-IL-Z-6PL-SMTYE	IL-Z-6PL-SMTYE	F	6	Right Angle SMT Pin Header	.41	.36	.32	.29
656-IL-Z-7PL-SMTYE	IL-Z-7PL-SMTYE	F	7	Right Angle SMT Pin Header	.46	.38	.33	.32
656-IL-Z-8PL-SMTYE	IL-Z-8PL-SMTYE	F	8	Right Angle SMT Pin Header	.47	.402	.331	.311
656-IL-Z-9PL-SMTYE	IL-Z-9PL-SMTYE	F	9	Right Angle SMT Pin Header	.47	.402	.331	.311
656-IL-Z-10PL-SMTYE	IL-Z-10PL-SMTYE	F	10	Right Angle SMT Pin Header	.77	.504	.423	.393
656-IL-Z-12PL-SMTYE	IL-Z-12PL-SMTYE	F	12	Right Angle SMT Pin Header	.53	.454	.383	.363
656-IL-Z-15PL-SMTYE	IL-Z-15PL-SMTYE	F	15	Right Angle SMT Pin Header	.56	.516	.446	.405
656-IL-Z-2S-S125C3	IL-Z-2S-S125C3	G	2	Socket Housing	.11	.094	.073	.063
656-IL-Z-5S-S125C3	IL-Z-5S-S125C3	G	5	Socket Housing	.11	.094	.073	.063
656-IL-Z-6S-S125C3	IL-Z-6S-S125C3	G	6	Socket Housing	.11	.094	.073	.063
656-IL-Z-7S-S125C3	IL-Z-7S-S125C3	G	7	Socket Housing	.15	.126	.105	.094
656-IL-Z-8S-S125C3	IL-Z-8S-S125C3	G	8	Socket Housing	.14	.121	.099	.088
656-IL-Z-9S-S125C3	IL-Z-9S-S125C3	G	9	Socket Housing	.13	.115	.094	.084
656-IL-Z-10S-S125C3	IL-Z-10S-S125C3	G	10	Socket Housing	.15	.126	.105	.094
656-IL-Z-12S-S125C3	IL-Z-12S-S125C3	G	12	Socket Housing	.16	.147	.115	.105
656-IL-Z-15S-S125C3	IL-Z-15S-S125C3	G	15	Socket Housing	.19	.178	.157	.147
<b>Contacts</b>								
656-IL-Z-C3-A-15000	IL-Z-C3-A-15000	-	-	Crimp Contacts 28-30 AWG	.09	.07	.05	.04

## TOOL

For quantities of 5 and up, call for quote.

MOUSER STOCK NO.	JAE Part No.	Description	Price Each
656-CT150-4C-ILZ	CT150-4C-ILZ	Hand Crimp Tool	923.92

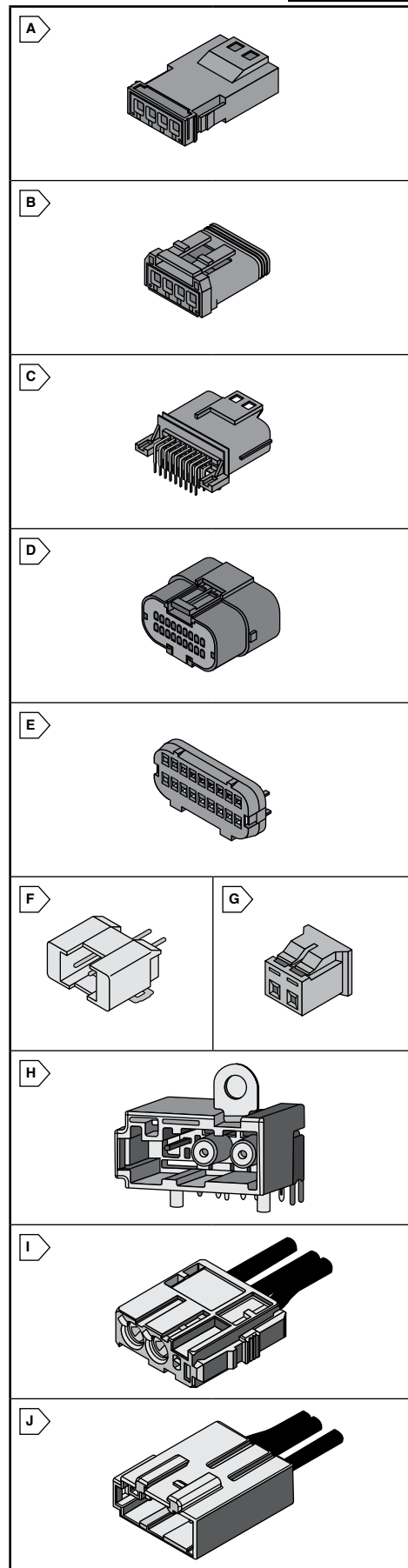
## CE2 SERIES COAXIAL CONNECTORS

- Small and robust coaxial connectors for antenna connection in transportation applications.
- Applicable Frequency: DC to 1GHz
- Impedance: 75 Ohms
- Insertion loss: 0.3 dB max
- Operating temperature: -30C to +70oC



For quantities of 100 and up, call for quote.

MOUSER STOCK NO.	JAE Part No.	Fig.	Description	Price Each				
				1	10	25	50	
<b>Board Connectors</b>								
656-CE2S101C02	CE2S101C02	H	Coaxial 1 Pos., Bracket Upward	3.57	2.85	2.14	2.03	
656-CE2S111C01	CE2S111C01	H	Coaxial 1 Pos. Power 1 Pos., Bracket Upward	8.23	6.92	5.59	5.25	
656-CE2S211C02	CE2S211C02	H	Coaxial 2 Pos. Power 1 Pos., Bracket Upward	3.63	2.90	2.17	2.04	
<b>Cable Connectors</b>								
656-CE2A111Z00	CE2A111Z00	I	Coaxial 1 Pos., Power 1 Pos.	1.08	.76	.60	.55	
<b>Relay Connectors</b>								
656-CE2G111Z00	CE2G111Z00	J	Coaxial 1 Pos., Power 1 Pos.	1.24	.97	.69	.62	
<b>Terminals</b>								
656-CE2A001C01	CE2A001C01	-	Coaxial Terminal for Cable	1.56	1.22	.87	.79	
656-CE2G001C01	CE2G001C01	-	Coaxial Terminal for Relay	1.24	.97	.69	.62	



Automotive

JAE