

POMONA Broadcast Connectors

VIDEO BROADCAST

For quantities of 100 and up, call for quote.

MOUSER STOCK NO.		Fig.	Description	Price Each		
Mfr.	Mfr. Part No.			1	25	50
75 Ohm Digital BNC Connectors						
565—6705		A	BNC (F/F) Isolated Panel Connector for Digital Video	13.97	12.60	12.14
75 Ohm BNC Connectors and Adapters						
565—6752A		B	BNC (m) Crimp for RG59, 59A, 59B, 62, 210 cable	3.46	3.36	3.19
565—6746A		C	BNC (m) Comp Style, field inst., for RG59, 59A, 59B, 62, 210 cable	2.40	2.34	2.22
75 Ohm BNC Within Series Adapters						
565—6738		D	BNC (f/f) Adapter	3.70	3.60	3.41
565—6739		E	BNC (f/m) Adapter	3.56	3.38	3.21
565—6754		F	BNC (f/m) Adapter, In-line	3.79	3.65	3.46
565—6740		G	BNC (m/m) Adapter	2.09	2.04	1.93
565—6737		H	BNC (f/f) Adapter	2.51	2.44	2.32
565—6744		I	BNC (f/f) Panel Mount, Hermetically Sealed Adapter	3.10	3.01	2.86
75 Ohm BNC Panel Receptacles						
565—6736		J	BNC (f) Panel Receptacle, 0.50 in. (13.46mm) hole spacing	2.52	2.37	2.28
565—6735		K	BNC (m) Panel Receptacle, 0.50 in. (13.46mm) hole spacing	2.97	2.81	2.71
75 Ohm BNC Female PCB Mount						
565—6748		L	BNC (f) PCB Mount, Right Angle	3.20	3.12	2.96
565—6747		M	BNC (f) PCB Mount, Vertical	2.69	2.60	2.56
565—6718		N	BNC (f) PCB Mount, Dual Right Angle, White Valox	15.71	14.17	13.66
75 Ohm BNC Bulkhead Receptacles						
565—6745		O	BNC (f) Bulkhead Receptacle, 75 Ohm	2.30	2.23	2.12
565—6741		O	BNC (f) Bulkhead Receptacle, Isolated Ground, 75 Ohm	2.58	2.52	2.39
75 Ohm BNC Terminators, Dust Cap, Shorting Cap						
565—4391-75		P	BNC 75 Ohm Attenuator	39.49	35.63	34.32
565—384075		Q	BNC Male Terminator Plug, 75 Ohm	13.19	12.57	11.94
565—4119-75		R	BNC Feed-Thru Termination, 75 Ohm	58.99	53.21	51.27
565—5085		S	BNC Shorting Cap	5.03	4.71	4.44
565—3839		S	BNC Dust Cap	2.67	2.45	2.31

75 OHM BETWEEN SERIES ADAPTER

For quantities of 100 and up, call for quote.

MOUSER STOCK NO.		Fig.	Description	Price Each		
Mfr.	Mfr. Part No.			1	25	50
565—6779		T	BNC (m) 75 Ohm / F (f)	3.35	3.25	3.09
565—6780		U	BNC (f) 75 Ohm / F (f)	3.50	3.40	3.23
565—6781		V	BNC (f) 75 Ohm / F (m)	3.50	3.40	3.23
565—6782		W	BNC (m) 75 Ohm / F (m)	3.50	3.40	3.23
565—5319		X	BNC Female to Phono Plug	6.90	6.56	6.40
565—4054		Y	BNC Male to Phono Jack	19.00	17.13	16.32
565—1297		Z	BNC Female to 1/4in (6.35mm) Phone Plug	11.50	11.38	11.00
565—3837		AA	BNC Female to Two Conductor, 0.14in (3.5mm) Dia. Tini Plug	14.27	13.69	13.23
565—4043		BB	BNC Male to 1/4in (6.35mm) Two Conductor Phone Jack	39.49	38.34	36.42
565—6519		CC	BNC Female to Mini-WECO Plug Adapter	32.50	31.55	29.97
565—5008		CC	BNC Female to Standard WECO Plug Adapter	44.50	43.21	41.04
565—4719		DD	BNC Female to Bantam Plug Adapter	21.98	21.36	20.29

75 OHM CABLE ASSEMBLIES

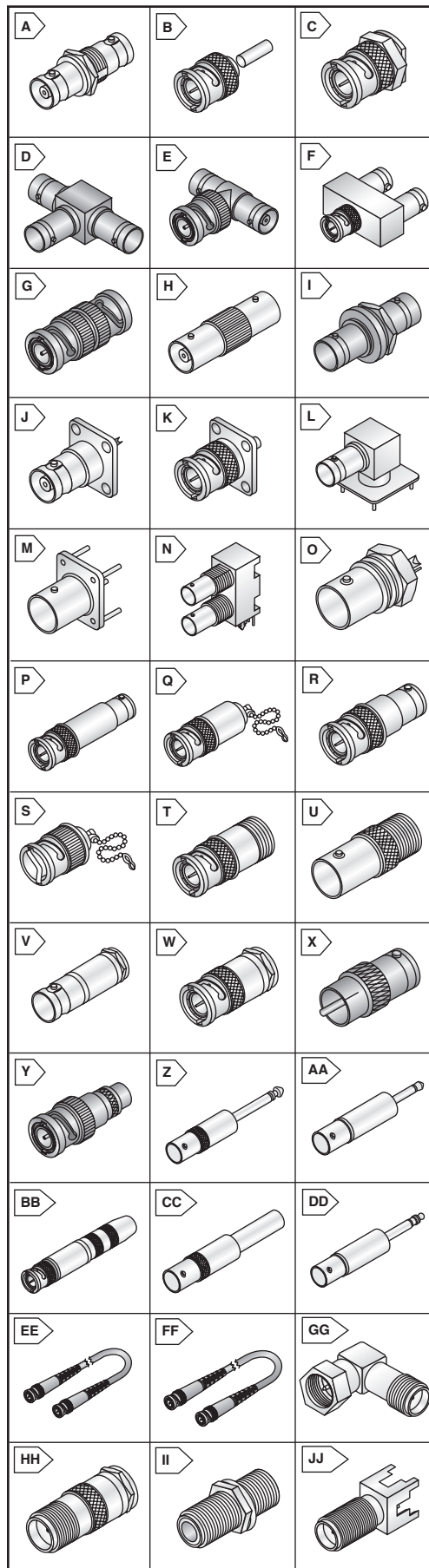
For quantities of 100 and up, call for quote.

MOUSER STOCK NO.		Fig.	Description	Length	Price Each		
Mfr.	Mfr. Part No.				1	25	50
565—6510-V-36-0		EE	BNC Male True 75 Ohm High Flex Cable	36in (0.9m)	18.16	17.64	16.76
565—6510-V-48-0		EE	BNC Male True 75 Ohm High Flex Cable	48in (1.2m)	22.20	21.56	20.48
565—6510-V-60-0		EE	BNC Male True 75 Ohm High Flex Cable	60in (1.5m)	22.20	21.56	20.48
565—6510-V-72-0		EE	BNC Male True 75 Ohm High Flex Cable	72in (1.8m)	26.00	25.25	23.87
565—2249-E-36		FF	BNC Male Cable with Molded Strain Reliefs	3ft (0.9m)	15.75	14.61	14.11
565—2249-E-72		FF	BNC Male Cable with Molded Strain Reliefs	6ft (1.8m)	18.79	18.04	17.43
565—2249-E-120		FF	BNC Male Cable with Molded Strain Reliefs	10ft (3.0m)	22.57	21.93	20.83
565—2249-E-144		FF	BNC Male Cable with Molded Strain Reliefs	12ft (3.7m)	24.88	23.70	22.51
565—2249-E-180		FF	BNC Male Cable with Molded Strain Reliefs	15ft (4.6m)	26.98	26.20	24.89
565—2249-E-240		FF	BNC Male Cable with Molded Strain Reliefs	20ft (6.1m)	31.99	31.06	29.50
565—2249-E-300		FF	BNC Male Cable with Molded Strain Reliefs	25ft (7.6m)	37.00	35.93	34.12
565—2249-E-600		FF	BNC Male Cable with Molded Strain Reliefs	50ft (15.2m)	60.99	59.22	56.25

F CONNECTORS

For quantities of 100 and up, call for quote.

MOUSER STOCK NO.		Fig.	Description	Price Each		
Mfr.	Mfr. Part No.			1	25	50
75 Ohm Type "F" Within Series Adapters						
565—6800		GG	75Ω Type F (m/f) Right Angle Adapter	3.31	3.21	3.05
565—6801		HH	75Ω Type F (m/f) in-line Adapter	1.27	1.16	1.12
75 Ohm Type "F" Bulkhead Receptacle						
565—6802		II	75Ω Type F (f/f) in-line, with nut and washer	1.40	1.37	1.29
75 Ohm Type "F" PCB Mount						
565—6803		JJ	75Ω Type F(f), vertical mount with PTFE insulator.	2.08	2.03	1.92



Audio/Video Connectors Pomona