

# AMPHENOL Audio Connectors

RoHS Compliant This page of product is compliant.

## SP LOUDSPEAKER CONNECTORS

NEW PRODUCT

For quantities greater than listed, call for quote.

MOUSER STOCK NO.	Amphenol Part No.	Fig.	No. of Contacts	Description	Price Each			
					1	10	50	100
523-SP-2-MDH	SP-2-MDH	A	2	D Flange, Thru-hole, Horizontal PCB, Black	2.93	2.66	2.43	2.25
523-SP-2-MDV	SP-2-MDV	B	2	D Flange, Thru-hole, Vertical PCB, Black	2.93	2.66	2.43	2.25
523-SP-4-MDV-2	SP-4-MDV-2	B	4	D Flange, Thru-hole, Vertical PCB, Red	3.90	3.34	2.86	2.51
523-SP-4-MD-8	SP-4-MD-8	C	4	D Flange, Thru-hole, Solder Tabs 3/16", Grey	2.36	2.15	1.98	1.83
523-SP-4-MDHT	SP-4-MDHT	A	4	D Flange, Self Tapping Holes, Horizontal PCB, Black	3.82	3.48	3.18	2.94
523-SP-4-MDHT-8	SP-4-MDHT-8	A	4	D Flange, Self Tapping Holes, Horizontal PCB, Grey	3.82	3.48	3.18	2.94
523-SP-4-MDVT-8	SP-4-MDVT-8	B	4	D Flange, Self Tapping Holes, Vertical PCB, Grey	3.28	2.99	2.74	2.53
523-SP-4-MDT	SP-4-MDT	C	4	D Flange, Self Tapping Holes, Solder Tabs 3/16", Black	2.44	2.23	2.05	1.90

## XLR AC SERIES

Cable Connectors: Metal Shell

For quantities greater than listed, call for quote.

MOUSER STOCK NO.	Amphenol Part No.	Fig.	No. of Contacts	Description	Price Each			
					1	10	50	100
<b>Male Solder</b>								
523-AC3MMB	AC3MMB	D	3	Machined Contacts, Black Finish	4.93	4.09	3.73	3.51
523-AC3MM	AC3MM	D	3	Machined Contacts, Nickel Finish	4.33	3.53	3.41	3.28
523-AC3M	AC3M	D	3	Stamped Contacts, Nickel Finish	3.25	2.71	2.32	2.03
523-AC4MJ	AC4MJ	D	3	Machined Contacts, Nickel Finish	6.06	5.04	4.31	3.78
523-AC5MJ	AC5MJ	D	5	Machined Contacts, Nickel Finish	5.38	4.60	4.03	3.57
<b>Female Solder</b>								
523-AC3F	AC3F	E	3	Stamped Contacts, Nickel Finish	3.16	2.70	2.37	2.10
523-AC3FB	AC3FB	E	3	Stamped Contacts, Black Finish	4.52	3.72	3.46	3.14
523-AC5FJ	AC5FJ	E	5	Machined Contacts, Nickel Finish	10.89	9.06	7.77	6.79
<b>Male Type D Chassis</b>								
523-AC3MMDZ	AC3MMDZ	F	3	Machined Contacts, Nickel Finish	4.37	3.63	3.11	2.73
523-AC3-MMDZB	AC3-MMDZB	F	3	Machined Contacts, Black Finish	5.24	4.37	3.74	3.27
523-AC4MDZ	AC4MDZ	F	4	Machined Contacts, Nickel Finish	4.75	4.31	4.06	3.74
523-AC5MDZ	AC5MDZ	F	5	Machined Contacts, Nickel Finish	6.97	5.80	4.97	4.36
<b>Female Type P Chassis</b>								
523-AC3FDZ	AC3FDZ	G	3	Stamped Contacts, Nickel Finish	4.35	3.63	3.11	2.72
523-AC3FDZB	AC3FDZB	G	3	Stamped Contacts, Black Finish	6.12	5.08	4.36	3.82
523-AC4FDZ	AC4FDZ	G	4	Stamped Contacts, Nickel Finish	9.85	8.20	7.03	6.15
523-AC5FDZ	AC5FDZ	G	5	Machined Contacts, Nickel Finish	11.78	10.79	9.69	8.88
<b>Male IDC</b>								
523-AC3MI	AC3MI	D	3	IDC Contacts, Nickel Finish	2.98	2.61	2.32	2.08
<b>Female IDC</b>								
523-AC3FI	AC3FI	E	3	IDC Contacts, Nickel Finish	4.17	3.46	2.96	2.60

## Chassis Connectors: Thermoplastic Type A Flange

For quantities greater than listed, call for quote.

<b>Male</b>								
MOUSER STOCK NO.	Amphenol Part No.	Fig.	No. of Contacts	Description	1	10	50	100
523-AC3MAH1-AU-B	AC3MAH1-AU-B	H	3	Horizontal Pin 1 to Chassis to Mating Shell	1.56	1.33	1.17	1.03
523-AC3MAH2-AU-B	AC3MAH2-AU-B	H	3	Horizontal Shell to Chassis Pin 1 Sep. Ground	1.42	1.20	1.06	.937
523-AC3MAH-AU-B	AC3MAH-AU-B	H	3	Horizontal No Ground Link	1.38	1.18	1.03	.918
523-AC3MAV1-AU-B	AC3MAV1-AU-B	I	3	Vertical Pin 1 to Chassis to Mating Shell	1.88	1.56	1.33	1.17
523-AC3MAV2-AU-B	AC3MAV2-AU-B	I	3	Vertical Shell to Chassis-Pin 1 Sep. Ground	1.83	1.52	1.30	1.14
523-AC3MAV-AU-B	AC3MAV-AU-B	J	3	Vertical No Ground Link	1.56	1.29	1.11	.975
<b>Female</b>								
523-AC3FAH1-AU-B	AC3FAH1-AU-B	K	3	Horizontal Pin 1 to Chassis to Mating Shell	1.49	1.23	1.06	.928
523-AC3FAH2-AU-B	AC3FAH2-AU-B	K	3	Horizontal Shell to Chassis-Pin 1 Sep. Ground	1.54	1.27	1.10	.965
523-AC3FAH-AU-B	AC3FAH-AU-B	K	3	Horizontal No Ground Link	1.53	1.26	1.09	.957
523-AC3FAV1-AU-B	AC3FAV1-AU-B	L	3	Vertical Pin 1 to Chassis to Mating Shell	1.49	1.23	1.06	.928
523-AC3FAV2-AU-B	AC3FAV2-AU-B	L	3	Vertical Shell to Chassis-Pin 1 Sep. Ground	1.49	1.23	1.06	.927
523-AC3FAV-AU-B	AC3FAV-AU-B	L	3	Vertical No Ground Link	1.49	1.23	1.06	.928

## RCA PLUGS AND JACKS

For quantities greater than listed, call for quote.

MOUSER STOCK NO.	Amphenol Part No.	Fig.	Description	Price Each			
				1	10	50	100
523-ACJD-BLK	ACJD-BLK	M	Female Nickel Housing Black Insulator	5.65	4.84	4.24	3.75
523-ACJD-RED	ACJD-RED	M	Female Nickel Housing Red Insulator	5.65	4.84	4.24	3.75
523-ACJR-BLK	ACJR-BLK	N	Female Black Housing Flexible Black Grommet	4.02	3.35	2.87	2.52
523-ACJR-RED	ACJR-RED	N	Female Red Housing Flexible Red Grommet	3.04	2.52	2.17	1.90
523-ACPR-BLK	ACPR-BLK	O	Male Black Housing Flexible Black Grommet	3.30	2.74	2.35	2.06
523-ACPR-RED	ACPR-RED	O	Male Red Housing Flexible Red Grommet	3.29	2.74	2.35	2.06

## HIGH POWER CONNECTORS EP SERIES METAL SHELL TYPE - SOLDER

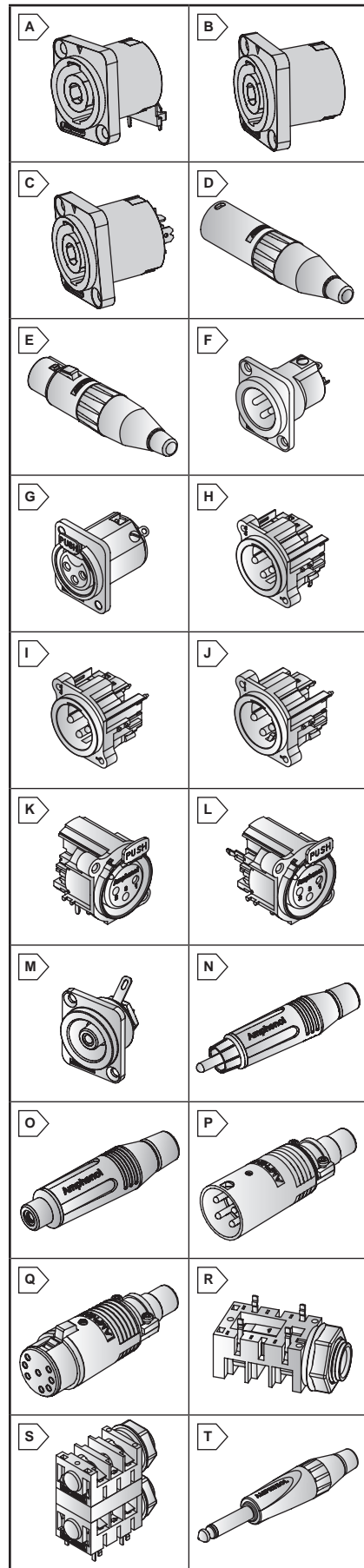
For quantities greater than listed, call for quote.

MOUSER STOCK NO.	Amphenol Part No.	Fig.	Description	1	10	50	100
523-EP4-12	EP4-12	P	4 Pole Male Nickel Finish Metal Shell	12.10	10.66	9.84	8.94
523-EP6-12	EP6-12	P	6 Pole Male Nickel Finish Metal Shell	13.48	11.78	10.47	9.42
523-EP4-11P	EP4-11P	Q	4 Pole Female Nickel Finish Metal Shell	33.69	28.07	24.06	21.04
523-EP6-11PB	EP6-11PB	Q	6 Pole Female Black Finish Metal Shell	26.95	22.45	19.23	16.83

## PHONE PLUGS AND JACKS

For quantities greater than listed, call for quote.

<b>Mono M Series</b>								
MOUSER STOCK NO.	Amphenol Part No.	Fig.	Description	1	10	50	100	
523-ACJM-MHDR	ACJM-MHDR	R	Single Jack Metal Nut & Entry Bore	1.68	1.40	1.20	1.05	
523-ACJM-MHD	ACJM-MHD	S	Dual Jack (Piggyback) Metal Nut & Entry Bore	3.10	2.59	2.21	1.94	
<b>Stereo M Series</b>								
523-ACJS-MHDR	ACJS-MHDR	R	Single Jack Metal Nut & Entry Bore	1.84	1.53	1.31	1.15	
523-ACJS-MHD	ACJS-MHD	S	Dual Jack (Piggyback) Metal Nut & Entry Bore	3.99	3.33	2.85	2.50	
<b>Mono T Series</b>								
523-TM2PB	TM2PB	T	Black Finish Nickel Tip and Sleeve	6.63	5.53	4.74	4.14	
523-TM2PB-AU	TM2PB-AU	T	Black Finish Gold Tip and Sleeve	7.35	6.12	5.25	4.60	
523-TM2P	TM2P	T	Satin Finish Nickel Tip and Sleeve	4.77	4.53	4.17	3.44	
523-TM2P-AU	TM2P-AU	T	Satin Finish Gold Tip and Sleeve	7.27	6.06	5.20	4.55	
<b>Stereo T Series</b>								
523-TS3PB-AU	TS3PB-AU	T	Black Finish Gold Tip Ring and Sleeve	7.95	6.62	5.68	4.97	
523-TS3P	TS3P	T	Satin Finish Nickel Tip Ring and Sleeve	5.79	5.17	4.82	4.14	
523-TS3P-AU	TS3P-AU	T	Satin Finish Gold Tip Ring and Sleeve	6.38	5.31	4.55	3.98	



Audio/Video Connectors Amphenol