

PANDUIT Abrasion Protection

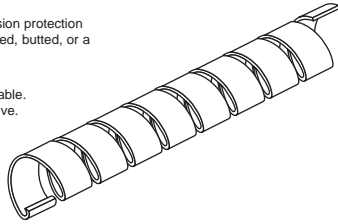


PANDUIT SPIRAL WRAP

Clear polyethylene wrap provides abrasion protection for wire bundles. Can be installed gapped, butted, or a combination of both.

Other sizes, colors, and materials available. Contact a Mouser Service Representative.

- Flammability rating: UL 94 HB



RoHS Compliant

For quantities greater than listed, call for quote.

MOUSER STOCK NO.	Panduit Part No.	O.D. Size: in.	Color	Material	Price Each	
					1	10
644-T12F-C	T12F-C	.125D x 100FT	Natural	Polyethylene	57.59	54.41
644-T25F-C	T25F-C	.250D x 100FT	Natural	Polyethylene	72.32	64.32
644-T25F-C3	T25F-C3	.250D x 100FT	Orange	Polyethylene	77.48	69.02
644-T25F-C4	T25F-C4	.250D x 100FT	Yellow	Polyethylene	65.20	58.01
644-T38F-C	T38F-C	.375D x 100FT	Natural	Polyethylene	94.96	91.11
644-T50F-C	T50F-C	.500D x 100FT	Natural	Polyethylene	205.74	183.02

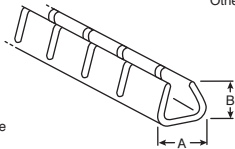
PANDUIT GROMMET EDGING

Protects and insulates wires and cables from chafing against sharp edges.

Other sizes and materials available. Contact a Mouser Service Representative.

- Slotted wall

F= Natural polyethylene
FR= UL94V-0, flame retardant polyethylene



RoHS Compliant

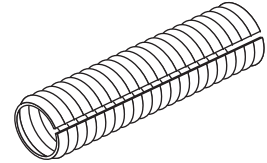
MOUSER STOCK NO.	Panduit Part No.	Dimensions: in.		Price Each		
		A	B	1	10	25
644-GEE36F-C	GEE36F-C	.026	.036	39.00	34.59	32.82
644-GEE62F-C	GEE62F-C	.036	.062	48.00	42.69	40.50
644-GEE99F-C	GEE99F-C	.062	.099	62.39	58.54	56.32
644-GEE144F-C	GEE144F-CY	.099	.144	76.40	67.98	64.48
644-GEE62FR-CY	GEE62FR-CY	.036	.062	61.46	57.77	55.93
644-GEE99FR-CY	GEE99FR-CY	.062	.099	84.97	75.30	71.68
644-GEE144FR-CY	GEE144FR-CY	.099	.144	80.97	72.03	68.35

PANDUIT CORRUGATED LOOM TUBING

Used where spiral wrap or braided expandable sleeving may be difficult to install.

- Material: Black polyethylene
- Temp Range: -40°F to 122°F
- Flammability Rating: UL94 HB

Other sizes available. Contact a Mouser Service Representative.



RoHS Compliant

MOUSER STOCK NO.	Panduit Part No.	Size: in. (ID x OD)	Loom Tubing Wall	Reel Length	Price Each	
					1	5
644-CLT25F-C20	CLT25F-C20	.28 x .40	Slit	100 feet	44.22	39.80
644-CLT50F-C20	CLT50F-C20	.51 x .670	Slit	100 feet	62.13	55.06
644-CLTS25F-C	CLTS25F-C	.28 x .40	Solid	100 feet	45.03	40.08
644-CLTS38F-C	CLTS38F-C	.42 x .56	Solid	100 feet	64.39	57.14
644-CLTS50F-C	CLTS50F-C	.51 x .670	Solid	100 feet	79.80	72.86

PANDUIT BRAIDED EXPANDABLE SLEEVING

Provides continuous abrasion resistance for wires, cables and tubing. Lightweight, durable protection. Highly flexible open weave will not trap heat or humidity.

- Material: black polyethylene terephthalate
- Flammability rating: UL 94 HB



E116868



RoHS Compliant

MOUSER STOCK NO.	Panduit Part No.	Nominal ID: in.	Nominal Diameter Range: in.	Reel Length	Price Each	
					1	5
644-SE12P-TR0	SE12P-TR0	1/8	.094 to .250	200 feet	115.69	101.08
644-SE25P-TR0	SE25P-TR0	1/4	.125 to .375	200 feet	155.39	135.76
644-SE38P-TR0	SE38P-TR0	3/8	.188 to .562	200 feet	218.09	190.53
644-SE50P-CR0	SE50P-CR0	1/2	.250 to .750	100 feet	165.23	150.21
644-SE75P-CR0	SE75P-CR0	3/4	.500 to 1.25	100 feet	195.04	170.40
644-SE125P-LR0	SE125P-LR0	1 1/4	.750 to 1.50	50 feet	110.67	96.69
644-SE150P-LR0	SE150P-LR0	1 1/2	1.00 to 2.25	50 feet	160.96	144.86

PANDUIT J-PRO CABLE SUPPORT SYSTEM

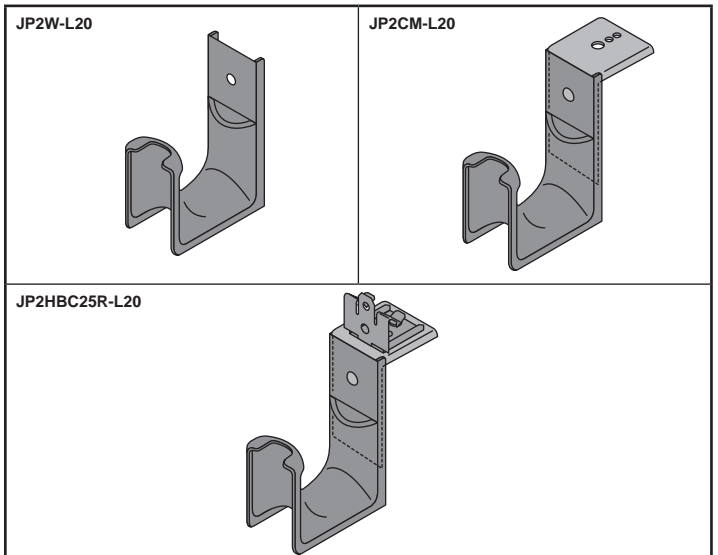
The J-Pro Cable Support System is designed to provide a competitive alternative to metal J Hooks for routing communication cables. It is suitable for use in air handling space and prevents pinch points that could cause damage to cable. The pre-riveted assemblies allow for attachment to ceilings, beams, threaded rods, drop wires and under floor supports to meet requirements of a variety of applications.

- Max bundle capacity: 2"
- Max static load: 30lbs.
- Material: Nylon 6/6



RoHS Compliant

MOUSER STOCK NO.	Panduit Part No.	Description	Price Each		
			1	10	25
Wall Mount					
644-JP2W-L20	JP2W-L20	One 1/4" mounting hole for user supplied screw	2.58	2.32	2.09
Ceiling Mount					
644-JP2CM-L20	JP2CM-L20	One 3/16", 1/4" & 3/8" mtg hole	3.46	3.12	2.80
Hammer-On Beam Clamp					
644-JP2HBC25R-L20	JP2HBC25R-L20	For use w/flanges 1/8"-1/4" thick. Rotates 360°	4.38	3.94	3.55

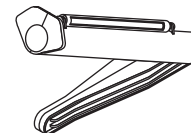


PANDUIT PAN-WRAP™ INSTALLATION TOOLS

Installation tool with 180° opening allows easy loading of maximum bundle diameters to speed installation, providing the lowest installed cost.

- For split harness wrap
- Material: Polyethylene
- 180° opening allows easy loading

MOUSER STOCK NO.	Panduit Part No.	Size	Color	For use with:	Price Each	
					1	5
644-PWT50	PWT50	1/2"	White	PW50F	6.60	6.14
644-PWT75	PWT75	3/4"	White	PW75F	9.37	8.87



RoHS Compliant