

# CHICAGO MINIATURE INDICATORS

**Chicago Miniature Lighting, LLC**  
Lighting the world since 1910

Products may be RoHS compliant. Check mouser.com for RoHS status.

Chicago Miniature LED Indication

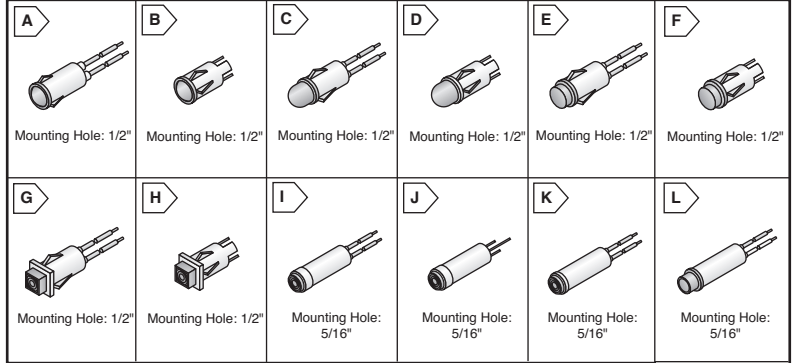
**Chicago Miniature Lighting, LLC**  
Lighting the world since 1910

## NON-RELAMPABLE INDICATORS

### Neon Indicators

For quantities of 500 or more, call for quote.

MOUSER STOCK NO.	Fig.	Color	Voltage (VAC)	Termination	Rated Life (hrs.)	Price Each		
						1	25	100
607-1030D1	A	Red	105-125	Black wire	25,000	2.33	1.87	1.59
607-1030D3	A	Amber	105-125	Black wire	25,000	2.33	1.87	1.59
607-1030D4	A	White	105-125	Black wire	25,000	2.33	1.87	1.59
607-1032D5	A	Green	105-125	Black wire	25,000	3.51	2.80	2.38
607-1031D1	A	Red	208-250	Black/Red wire	25,000	2.33	1.87	1.59
607-1030QD1	B	Red	105-125	Quick connect	25,000	2.55	2.04	1.73
607-1030QD3	B	Amber	105-125	Quick connect	25,000	2.55	2.04	1.73
607-1030QD4	B	White	105-125	Quick connect	25,000	2.55	2.04	1.73
607-1032QD5	B	Green	105-125	Quick connect	25,000	3.74	2.98	2.54
607-1050A1	C	Red	105-125	Black wire	25,000	2.33	1.87	1.59
607-1050A2	C	Clear	105-125	Black wire	25,000	2.33	1.87	1.59
607-1050A3	C	Amber	105-125	Black wire	25,000	2.33	1.87	1.59
607-1050A4	C	White	105-125	Black wire	25,000	2.33	1.87	1.59
607-1052A5	C	Green	105-125	Black wire	25,000	3.51	2.80	2.38
607-1051A1	C	Red	208-250	Black/Red wire	25,000	2.33	1.87	1.59
607-1051A3	C	Amber	208-250	Black/Red wire	25,000	2.33	1.87	1.59
607-1053A5	C	Green	208-250	Black/Red wire	25,000	3.51	2.80	2.38
607-1050QA1	D	Red	105-125	Quick connect	25,000	2.55	2.04	1.73
607-1050QA3	D	Amber	105-125	Quick connect	25,000	2.55	2.04	1.73
607-1052QA5	D	Green	105-125	Quick connect	25,000	3.74	2.98	2.54
607-1051QA1	D	Red	208-250	Quick connect	25,000	2.55	2.04	1.73
607-1051QA3	D	Amber	208-250	Quick connect	25,000	2.55	2.04	1.73
607-1050C1	E	Red	105-125	Black wire	25,000	2.33	1.87	1.59
607-1050C2	E	Clear	105-125	Black wire	25,000	2.33	1.87	1.59
607-1050C3	E	Amber	105-125	Black wire	25,000	2.33	1.87	1.59
607-1050C4	E	White	105-125	Black wire	25,000	2.33	1.87	1.59
607-1052C5	E	Green	105-125	Black wire	25,000	3.51	2.80	2.38
607-1051C1	E	Red	208-250	Black/Red wire	25,000	2.33	1.87	1.59
607-1051C3	E	Amber	208-250	Black/Red wire	25,000	2.33	1.87	1.77
607-1053C5	E	Green	208-250	Black/Red wire	25,000	3.51	2.80	2.38
607-1050QC1	F	Red	105-125	Quick connect	25,000	2.55	2.04	1.73
607-1050QC2	F	Clear	105-125	Quick connect	25,000	2.55	2.04	1.73
607-1050QC3	F	Amber	105-125	Quick connect	25,000	2.55	2.04	1.73
607-1050QC4	F	White	105-125	Quick connect	25,000	2.55	2.04	1.73
607-1052QC5	F	Green	105-125	Quick connect	25,000	3.74	2.98	2.54
607-1051QC1	F	Red	208-250	Quick connect	25,000	2.55	2.04	1.73
607-1051QC3	F	Amber	208-250	Quick connect	25,000	2.55	2.04	1.73
607-1050N1	G	Red	105-125	Black wire	25,000	2.55	2.04	1.73
607-1050N3	G	Amber	105-125	Black wire	25,000	2.55	2.04	1.73
607-1052N5	G	Green	105-125	Black wire	25,000	3.74	2.98	2.54
607-1050QN1	H	Red	105-125	Quick connect	25,000	2.75	2.20	1.87
607-1050QN3	H	Amber	105-125	Quick connect	25,000	2.75	2.20	1.87
607-1052QN5	H	Green	105-125	Quick connect	25,000	3.95	3.16	2.68
607-2110A1	I	Red	105-125	Black wire	25,000	3.06	2.44	2.07
607-2110A2	I	Clear	105-125	Black wire	25,000	2.31	1.85	1.56
607-2110A3	I	Amber	105-125	Black wire	25,000	2.31	1.85	1.56
607-2110A4	I	White	105-125	Black wire	25,000	2.31	1.85	1.56
607-2112A5	J	Green	105-125	Black wire	25,000	3.51	2.80	2.38
607-2110QA1	J	Red	105-125	Quick connect	25,000	2.55	2.04	1.73
607-2112QA5	K	Green	105-125	Quick connect	25,000	3.72	2.96	2.52
607-2120A1	K	Red	105-125	Black wire	25,000	2.31	1.85	1.56
607-2120A3	K	Amber	105-125	Black wire	25,000	2.31	1.85	1.56



### Neon Indicators (Cont.)

For quantities of 500 or more, call for quote.

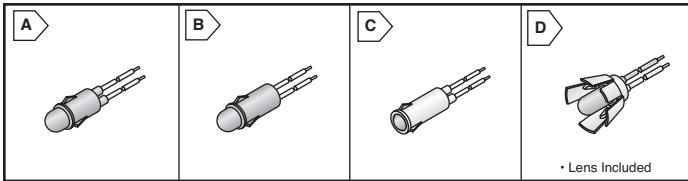
MOUSER STOCK NO.	Fig.	Color	Voltage (VAC)	Termination	Rated Life (hrs.)	Price Each		
						1	25	100
607-2120A4	K	White	105-125	Black wire	25,000	2.31	1.85	1.56
607-2150A1	L	Red	105-125	Black wire	25,000	2.47	1.97	1.67
607-2150A2	L	Clear	105-125	Black wire	25,000	2.47	1.97	1.67
607-2150A3	L	Amber	105-125	Black wire	25,000	2.47	1.97	1.67
607-2150A4	L	White	105-125	Black wire	25,000	2.47	1.97	1.67
607-2152A5	L	Green	105-125	Black wire	25,000	3.98	3.18	2.70
607-2150QA1	M	Red	105-125	Quick connect	25,000	2.67	2.13	1.82
607-2150QA3	M	Amber	105-125	Quick connect	25,000	2.67	2.13	1.82
607-2150QA4	M	White	105-125	Quick connect	25,000	2.67	2.13	1.82
607-2152QA5	M	Green	105-125	Quick connect	25,000	4.18	3.34	2.84
607-2330QD1	N	Red	105-125	Quick connect	25,000	2.82	2.27	1.92
607-2330QD3	N	Amber	105-125	Quick connect	25,000	2.82	2.27	1.92
607-2330QD4	N	White	105-125	Quick connect	25,000	2.82	2.27	1.92
607-2620QK1	O	Red	105-125	Quick connect	25,000	3.38	2.70	2.30
607-2620QK3	O	Amber	105-125	Quick connect	25,000	3.38	2.70	2.30
607-2620QK4	O	White	105-125	Quick connect	25,000	3.38	2.70	2.30
607-2622QK5	O	Green	105-125	Quick connect	25,000	4.46	3.57	3.03
607-6010M1	P	Red	105-125	Black/Red wire	25,000	4.96	3.96	3.37
607-6010M3	P	Amber	105-125	Black/Red wire	25,000	4.96	3.96	3.37
607-6012M5	P	Green	105-125	Black/Red wire	25,000	6.07	4.85	4.13

### Incandescent Indicators

For quantities of 500 or more, call for quote.

MOUSER STOCK NO.	Fig.	Color	Voltage	Termination	Rated Life (hrs.)	Price Each		
						1	25	100
607-1090A1-12V	C	Red	12VDC	Yellow wire	10,000	3.00	2.40	2.05
607-1090A3-12V	C	Amber	12VDC	Yellow wire	10,000	3.00	2.40	2.05
607-1090A5-12V	C	Green	12VDC	Yellow wire	10,000	3.00	2.40	2.05
607-1090A1-28V	C	Red	28VDC	Purple wire	7,000	3.00	2.40	2.05
607-1090A3-28V	C	Amber	28VDC	Purple wire	7,000	3.00	2.40	2.05
607-1090A5-28V	C	Green	28VDC	Purple wire	7,000	3.00	2.40	2.05
607-1090C1-12V	E	Red	12VDC	Yellow wire	10,000	3.00	2.40	2.05
607-1090C1-28V	E	Red	28VDC	Purple wire	7,000	3.00	2.40	2.05
607-1090C3-28V	E	Amber	28VDC	Purple wire	7,000	3.00	2.40	2.05
607-1090C5-28V	E	Green	28VDC	Purple wire	7,000	3.00	2.40	2.05
607-1090QC1-28V	F	Red	28VDC	Quick connect	7,000	3.20	2.55	2.17
607-1090QC3-28V	F	Amber	28VDC	Quick connect	7,000	3.20	2.55	2.17
607-1090QC5-28V	F	Green	28VDC	Quick connect	7,000	3.20	2.55	2.17

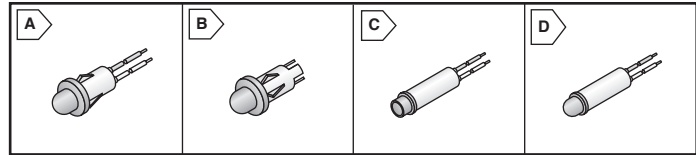
## CIRCUIT BOARD PANEL MOUNT LED INDICATORS



For quantities of 500 or more, call for quote.

MOUSER STOCK NO.	Fig.	Color	Forward Current (mA)		Forward Voltage		Lumin. Intensity (mcd)	Rated Cur. (mA)	Peak Wave Length	Price Each		
			Typ.	Max.	Typ.	Max.				1	25	100
607-5100H1	A	Red	35	2.0	3.0	30.0	20.0	635	1.46	1.18	1.01	
607-5100H1LC	A	Red	7	1.8	2.2	2.0	2.0	635	1.64	1.32	1.13	
607-5100H3	A	Amber	35	2.0	3.0	20.0	20.0	608	1.46	1.18	1.01	
607-5100H5	A	Green	30	2.2	3.0	30.0	20.0	562	1.33	1.08	.69	
607-5100H6	A	Blue	50	3.4	3.9	3.0	45.0	470	2.35	1.83	1.48	
607-5100H7	A	Yellow	35	2.1	3.0	25.0	20.0	585	1.46	1.18	1.01	
607-5100H7LC	A	Yellow	7	1.9	2.7	2.0	2.0	585	1.64	1.32	1.13	
607-5100H1/5	A	Rd/Grn	10	2.2	2.8	6.0	20.0	650/565	2.26	1.83	1.57	
607-5102H1-12V	A	Red	15	12.0	20.0	4.0	13.0	635	1.31	1.23	1.19	
607-5110F1	B	Red	30	2.0	3.0	6.0	10.0	635	1.51	1.22	1.04	
607-5110F5	B	Green	30	2.2	3.0	12.0	20.0	562	1.51	1.22	1.04	
607-5110F7	B	Yellow	30	2.1	3.0	20.0	20.0	585	1.51	1.22	1.04	
607-3990A1	C	Red	30	2.0	3.0	6.0	10.0	635	2.61	2.11	1.81	
607-3990A5	C	Green	30	2.2	3.0	12.0	20.0	562	2.61	2.11	1.81	
607-5400A1	D	Red	35	2.0	3.0	120.0	20.0	635	2.31	1.87	1.60	
607-5400A5	D	Green	35	2.1	2.5	120.0	20.0	555	2.31	1.87	1.60	
607-5400A7	D	Yellow	35	2.1	3.0	120.0	20.0	585	2.31	1.87	1.60	

## LED INDICATORS



For quantities of 500 or more, call for quote.

MOUSER STOCK NO.	Fig.	Color	Voltage (Nom)	Termination	Internal Resis. (Ω)	Mount Hole Sz. (in.)	Price Each		
							1	25	100
607-1091M1-12V	A	Red	12	Red/White wire	390	1/2	3.33	2.66	2.26
607-1091M5-12V	A	Green	12	Red/White wire	390	1/2	3.33	2.66	2.26
607-1091M1-24V	A	Red	24	Red/White wire	1,000	1/2	3.33	2.66	2.26
607-1091M5-24V	A	Green	24	Red/White wire	1,000	1/2	3.33	2.66	2.26
607-1091QM1-12V	A	Yellow	24	Red/White wire	1,000	1/2	3.33	2.66	2.26
607-1091QM1-24V	B	Red	12	Quick connect	390	1/2	3.51	2.80	2.38
607-2191L1-12V	B	Red	24	Quick connect	1,000	1/2	3.51	2.80	2.38
607-2191L1-12V	C	Red	12	Red/White wire	390	5/16	3.34	2.68	2.28
607-2191L5-12V	C	Green	12	Red/White wire	390	5/16	3.34	2.68	2.28
607-2191L7-12V	C	Yellow	12	Red/White wire	390	5/16	3.34	2.68	2.51
607-2191L1-24V	C	Red	24	Red/White wire	1,000	5/16	3.34	2.68	2.28
607-2191L5-24V	C	Green	24	Red/White wire	1,000	5/16			