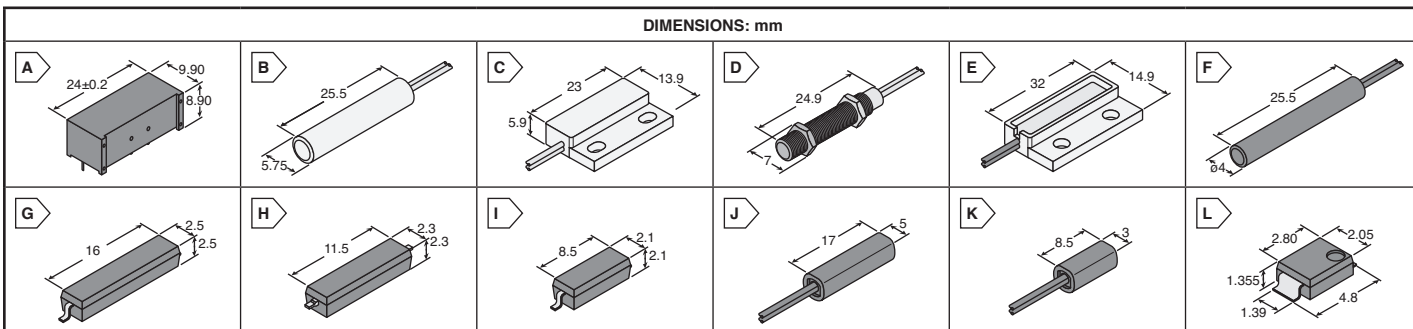


Reed and Tilt Sensors



MEDER MK SERIES - REED SENSORS

* Latching sensor opened or closed by passing magnet and remains in that state until a magnet of opposite polarity or direction passes by again.
 ** Flat, bent SMD leads
 † J-leads



RoHS Compliant
 For quantities of 25 and up, call for quote.

MOUSER STOCK NO.	MEDER Part No.	Fig	Contact Form	Switching Power (max.)	Switching Voltage (max.)	Switching Current (max.)	Carry Current (max.)	Operate Time (incl. bounce) (max.)	Magnetic Sensitivity Pull in Range (mm)	Magnetic Sensitivity Pull in Range (mm)	Price Each	
											1	10
MK2 - Cylindrical												
876-MK0260	MK02/6-0	A	Form A - NO	10 W	170 V	0.5 A	0.7 A	0.7 ms	-	10-15	29.81	27.11
876-MK0261	MK02/6-1	A	Form A - NO	10 W	170 V	0.5 A	0.5 A	0.7 ms	-	10-15	29.31	26.66
876-MK0270	MK02/7-0	A	Form A - NO	10 W	200 V	0.4 A	0.5 A	0.7 ms	-	10-15	25.21	22.93
876-MK0271	MK02/7-1	A	Form A - NO	10 W	170 V	0.4 A	0.5 A	0.7 ms	-	10-15	25.21	22.93
MK3 - Cylindrical												
876-MK3-1A66B-500W	MK03-1A66B-500W	B	Form A	10 W	200 V	0.5 A	1.25 A	0.5 ms	27 / 30 AT	10-15	4.22	3.57
876-MK3-1B90C-500W	MK03-1B90C-500W	B	Form B	3 W	175 V	0.25 A	1.2 A	0.7 ms	30 / 35 AT	15-20	10.96	9.71
MK4 - Screw Fastening												
876-MK4-1A66B-500W	MK04-1A66B-500W	C	Form A	10 W	200 V	0.5 A	1.25 A	0.5 ms	27 / 30 AT	10-15	7.05	5.42
876-MK4-1B90C-500W	MK04-1B90C-500W	C	Form B	3 W	175 V	0.25 A	1.2 A	0.7 ms	30 / 35 AT	15-20	10.12	8.80
876-MK4-1C90C-500W	MK04-1C90C-500W	C	Form C	3 W	175 V	0.25 A	1.2 A	0.7 ms	30 / 35 AT	15-20	13.41	12.12
MK7 - Screw Fastening Holes												
876-MK7-1A66B-500W	MK07-1A66B-500W	D	Form A	10 W	200 V	1.25 A	1.5 A	0.5 ms	30 / 27 AT	10-15	6.99	6.64
MK12 - Screw Fastening Holes												
876-MK12-1A66B-500W	MK12-1A66B-500W	E	Form A	10 W	200 V	0.5 A	1.25 A	0.5 ms	27 / 30 AT	10-15	6.45	5.57
MK14 - Cylindrical												
876-MK14-1A66B-200W	MK14-1A66B-200W	F	Form A	10 W	200 V	0.5 A	1.25 A	0.5 ms	27 / 30 AT	10-15	6.11	5.36
MK15 - Surface Mount												
876-MK15-B-2	MK15-B-2	G	Form A	10 W	200 V	0.5 A	1.25 A	0.5 ms	27 / 30 AT	10-15	1.10	1.00
876-MK15-B-2-OE	MK15-B-2-OE	G	Form A	10 W	200 V	0.5 A	1.25 A	0.5 ms	30 / 27 AT	10-15	4.42	3.95
876-MK15-C-2	MK15-C-2	G	Form A	10 W	200 V	0.5 A	1.25 A	0.5 ms	27 / 30 AT	15-20	1.00	.91
MK16 - Surface Mount												
876-MK16-B-2	MK16-B-2	H	Form A	10 W	200 V	0.5 A	0.5 A	0.6 ms	18 / 20 AT	10-15	1.30	1.18
876-MK16-C-2	MK16-C-2	H	Form A	10 W	200 V	0.5 A	0.5 A	0.6 ms	18 / 20 AT	15-20	1.30	1.18
MK17 - Surface Mount												
876-MK17-B-2	MK17-B-2	I	Form A	10 W	170 V	0.5 A	0.5 A	0.6 ms	18 / 20 AT	10-15	3.47	2.88
876-MK17-B-3	MK17-B-3	I	Form A	10 W	170 V	0.5 A	0.5 A	0.6 ms	18 / 20 AT	10-15	3.35	2.77
876-MK17-C-2	MK17-C-2	I	Form A	10 W	170 V	0.5 A	0.5 A	0.6 ms	20 / 18 AT	15-20	2.67	2.33
MK18 - Cylindrical												
876-MK18-B-100W	MK18-B-100W	J	Form A	10 W	200 V	0.5 A	0.5 A	0.6 ms	22 / 25 AT	10-15	6.12	5.51
876-MK18-C-100W	MK18-C-100W	J	Form A	10 W	200 V	0.5 A	0.5 A	0.6 ms	22 / 25 AT	15-20	6.12	5.51
MK20 - Cylindrical												
876-MK20-B-100W	MK20-B-100W	K	Form A	5 W	175 V	0.25 A	0.5 A	0.4 ms	22 / 25 AT	10-15	9.36	6.86

MEDER SMT MICRO MACHINED REED SENSORS

For quantities of 25 and up, call for quote.

MOUSER STOCK NO.	MEDER Part No.	Fig.	Contact Form	Switching Power (max.)	Switching Voltage (max.)	Switching Current (max.)	Carry Current (max.)	Operate Time (incl. bounce) (max.)	Magnetic Sensitivity Pull in Range (mm)	Price Each	
										1	10
876-MMS-B-2	MMS-B-2	L	Form A	0.3 W	3.0 V	100 A	100 A	1.0 ms	10-15	13.62	13.32

Mountain Switch ROLLING-BALL TILT SENSOR SWITCHES

Mechanical Specifications:

- Differential Angle: 30° max.
- Operating Temperature: 0°~+100°C
- Soldering Process: Temperature: 250°C for 3 seconds (Soldered by hand only)

Electrical Specifications:

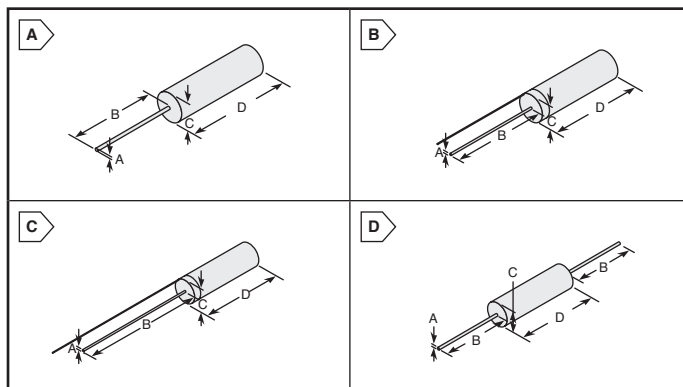
- Rating: <6mA/24VDC
- Differential Angle: 30° max.
- Electrical Life: >50,000 cycles
- Contact Resistance: 2Ω max. (measured at 45° tilt)



RoHS Compliant

For quantities of 1000 and up, call for quote.

MOUSER STOCK NO.	Fig.	Lead (In.)		Body (In.)		Price Each			
		øA	B	øC	D	1	50	100	500
107-2002-EV	A	.035	.39	.157	.43	1.18	.98	.89	.81
107-2003-EV	A	.015	.59	.157	.43	1.51	1.26	1.14	1.04
107-2004-EV	A	.035	.39	.204	.55	1.51	1.26	1.14	1.04
107-2005-EV	B	.035	.39	.204	.55	1.51	1.26	1.14	1.04
107-2006-EV	B	.035	.39	.157	.43	1.51	1.26	1.14	1.04
107-2001-EV	C	.015	.59	.204	.55	1.51	1.26	1.14	1.04
107-2008-EV	C	.015	.59	.157	.43	1.51	1.26	1.14	1.04
107-2007-EV	C	.015	.59	.157	.275	1.82	1.52	1.38	1.25
107-2009-EV	C	.015	.59	.157	.43	1.82	1.52	1.38	1.25
107-2010-EV	D	.015	.59	.157	.47	2.72	2.26	2.06	1.87



OMRON D6BN SERIES: MICRO TILT SENSOR

Features:

- Surface mounting tilt sensor fits space-confined installations
- Detect tilting over range of 40 to 80 degrees in right-and-left inclination

- Low profile 2mm
- Gull wing surface mount terminals
- Operating temperature range: -10°C to 60°C



RoHS Compliant

For quantities of 100 and up, call for quote.

MOUSER STOCK NO.	Omron Part No.	Operating Voltage	Operation Angle	Price Each			
				1	10	25	50
653-D6BN-1(P)	D6BN-1(P)	2.4 to 3.6VDC	40° to 80°	3.95	3.65	3.49	3.25

