

# EAGLE PLASTIC DEVICES Nylon Bushings



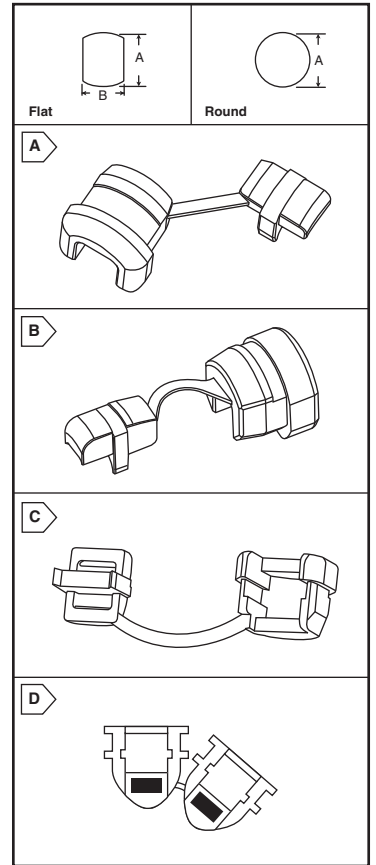
## NYLON STRAIN RELIEF BUSHINGS

One piece strain relief bushings securely anchor, absorb, and protect cables and wires from push/pull and twist forces and insulate them from irregular or sharp panel edges.

### Black Nylon

For quantities of 1000 and up, call for quote.

MOUSER STOCK NO.	Fig.	Cable Cross Section	Cable Type	Dimensions: In.				Price Each	
				Mounting Hole		Max. Panel Thickness	Bushing Length	1	100
				A	B				
561-MP2M4	A	Round	AWN	.0375	---	.062	.41	.10	.08
561-MP3P4	A	Flat	SP-1, SPT-2	.437	.390	.062	.41	.08	.05
561-MP5N4	A	Round	SV, SVT, HPD	.500	---	.062	.438	.13	.09
561-MP5P4	A	Round	SV, SVT, HPD	.500	---	.100	.438	.11	.07
561-MP4K1	A	Flat	SPT-2, HPN	.500	.460	.095	.495	.12	.07
561-MP4K1Z	B	Flat	SPT-2, HPN	.500	.460	.095	.495	.12	.07
561-MP4L1	B	Flat	SPT-1, SPT-2, HPN	.500	.460	.187	.495	.10	.07
561-MP4J4	A	Flat	SPT-1, SPT-2, HPN	.500	.465	.032	.406	.10	.07
561-MP4N4	A	Flat	SPT-1, SPT-2, HPN	.500	.465	.062	.406	.14	.09
561-MP6W1	A	Round	SJ, SJT, SJO	.500	---	.090	.437	.14	.08
561-MP4K4	A	Flat	SPT-1, SPT-2, HPN	.500	.465	.100	.406	.12	.07
561-MP4L4	A	Flat	SPT-1, SPT-2, HPN	.500	.465	.156	.406	.10	.05
561-MP30-1	B	Flat	SPT-2, SPT-1	.560	.730	.125	.67	.22	.12
561-MP5KN4	A	Flat	SPT-2	.562	.530	.062	.609	.23	.13
561-MP5K4	A	Flat	SPT-2	.562	.530	.125	.609	.19	.11
561-MP5W1	A	Flat	SPT-2, HPN	.562	.530	.125	.609	.23	.13
561-MP6N4S	A	Flat	SPT-1	.625	.545	.062	.600	.28	.16
561-MP6N34	A	Round	SJ, SJT	.625	---	.062	.58	.22	.12
561-MP6N4	A	Round	SJT, SJO	.625	---	.062	.58	.23	.13
561-MP6P34	A	Round	SJ, SJT, SJO	.625	---	.125	.58	.19	.09
561-MP6P4	A	Round	SJ, SJT, SJO	.625	---	.125	.58	.22	.11
561-MP6L1	B	Round	SJ, SJT, SJO	.625	---	.125	.666	.27	.15
561-MP6P35	A	Round	SJ, SJT, SJO	.625	---	.125	.580	.26	.15
561-MP7W20	B	Round	SJT, S, STO	.875	---	.125	.75	.35	.17
561-MP7K2	B	Round	SJ, SJT, SJO	.875	---	.125	.750	.14	.11
561-MP7K3	B	Round	SJ, SJT, SJO	.875	---	.125	.750	.14	.11
561-MP31-2	C	Flat, Round	SJT, SPT-3	.875	.840	.125	.812	.22	.19
561-MP33-10	B	Flat	SPT-3, HPN	.750x.875	.875	.125	.770	.22	.19
561-MP9P2	A	Round	S	1.093-1.187	---	.281	.990	.24	.20
561-MP4KEZS	D	Flat	SPT	.500	.470	.100	.580	.19	.12

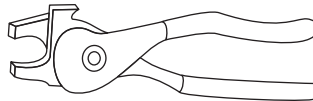


Eagle Plastic Devices

## STRAIN RELIEF INSTALLATION TOOLS

- Makes bushing installation a 'breeze'
- Adjustable to all sizes

MOUSER STOCK NO.	Description	Price Each
561-M0022	Standard handles	51.84
561-M0023	Ergonomic handles	52.34



Standard

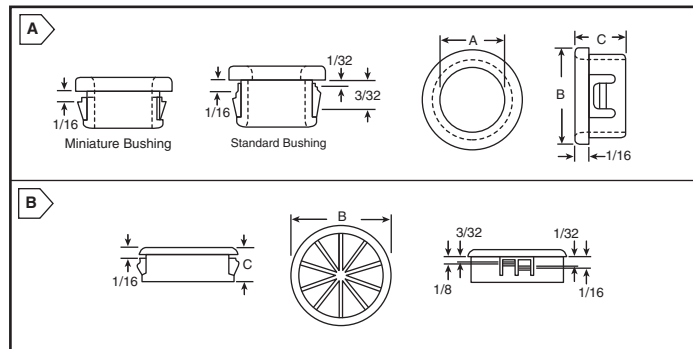


Ergonomic

Hardware

## NYLON BUSHINGS

- UL 94V2
- Stock color black, other colors available on request, please ask for details



### Miniature Insulating Bushings

Accommodates panels up to 1/6" and requires only 1/8" clearance.

For quantities of 5000 and up, call for quote.

MOUSER STOCK NO.	Fig.	Dimensions: In.				Price Each			
		A	B	C	Panel		1	100	1000
					Hole Dia.	Thick. (max.)			
561-MP1010	A	.125	.250	.234	.187	.062	.13	.06	.04
561-MP1015	A	.250	.375	.234	.312	.062	.13	.08	.06
561-MP1030	A	.375	.562	.250	.500	.062	.13	.07	.04
561-MP1050	A	.500	.703	.250	.625	.062	.17	.09	.07
561-MP1060	A	.625	.828	.250	.750	.062	.17	.11	.09
561-MP1080	A	.750	.937	.250	.875	.062	.18	.09	.06

### Standard Insulating Bushings

Designed with multiple locks to positively snap in panels ranging from 1/32" to 1/8".

For quantities of 5000 and up, call for quote.

MOUSER STOCK NO.	Fig.	Dimensions: In.			Panel		Price Each		
		A	B	C	Hole Dia.	Thick. (max.)	1	100	1000
561-MP3753	A	.187	.468	.406	.375	.125	.12	.06	.04
561-MP3754	A	.250	.468	.406	.375	.125	.13	.07	.04
561-MP4374	A	.250	.531	.406	.437	.125	.13	.07	.05
561-MP4375	A	.312	.531	.406	.437	.125	.13	.06	.04
561-MP5004	A	.250	.578	.406	.500	.125	.14	.11	.09
561-MP5005	A	.312	.578	.406	.500	.125	.14	.07	.04
561-MP5006	A	.375	.578	.406	.500	.125	.15	.08	.05
561-MP6254	A	.250	.718	.406	.625	.125	.15	.11	.09
561-MP6257	A	.437	.718	.406	.625	.125	.15	.11	.09
561-MP6258	A	.500	.718	.406	.625	.125	.15	.09	.06
561-MP7508	A	.500	.843	.406	.750	.125	.21	.10	.07
561-MP7510	A	.625	.843	.406	.750	.125	.21	.10	.07
561-MP8706	A	.375	.953	.453	.875	.125	.23	.11	.07
561-MP8710	A	.625	.953	.453	.875	.125	.23	.11	.07
561-MP10012	A	.750	1.125	.453	1.000	.125	.27	.13	.09
561-MP15018	A	1.125	1.609	.453	1.500	.125	.42	.19	.13
561-MP20026	A	1.625	2.125	.453	2.000	.125	.56	.32	.21

### All-Fit Adjustable Bushings

Equipped with multiple locks to positively snap in panel thicknesses ranging from 1/32" to 1/8".

For quantities of 5000 and up, call for quote.

MOUSER STOCK NO.	Fig.	Dimensions: In.			Panel		Price Each		
		A	B	C	Hole Dia.	Thick. (max.)	1	100	1000
561-AF750	B	.500	.859	.390	.750	.125	.25	.14	.10
561-AF875	B	.562	.937	.453	.875	.125	.23	.11	.07
561-AF1000	B	.750	1.062	.453	1.000	.125	.26	.13	.09