

WHITE RODGERS Power Contactors and Thermostats

White
Rodgers

DC POWER CONTACTORS

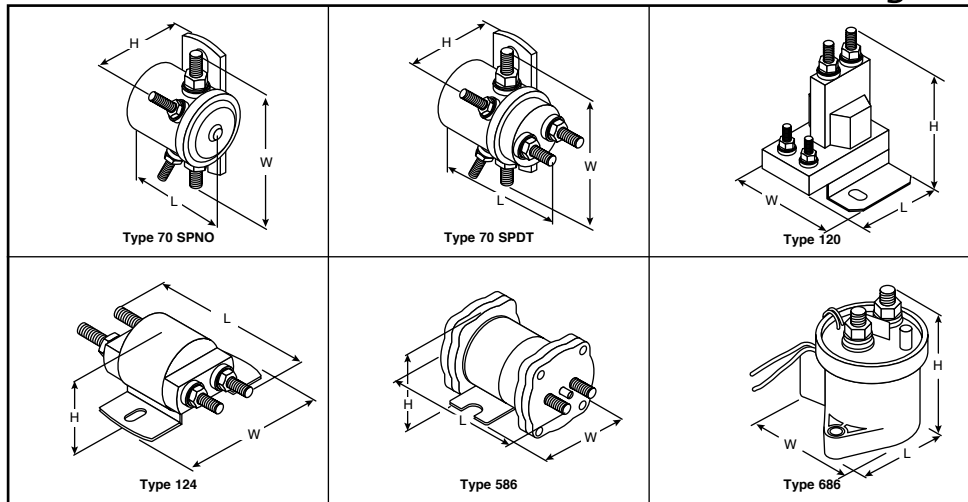
- Industry benchmark designs
- Superior quality and materials
- Broad range of coil voltages and contact ratings
- Long operating life
- Versatile mounting and termination

Features:

- Heavy duty mounting brackets
- Robust 5/16" - 24 studs
- Rated for Continuous Duty or Intermittent Duty
- Isolated, grounded, and common coil configurations available
- Dust and splash proof designs available

Specifications:

- Contact Pole Forms:
 - Single Pole Normally Open (SPNO)
 - Single Pole Double Throw (SPDT)
- Coil Voltages:
 - Ranging from 6VDC to 96VDC
- Operating Temperatures:
 - Ranging from -20°F to 150°F (Ambient)
- Contact Ratings:
 - Normally Open
 - Ranging from 50A to 500A Continuous
 - Ranging from 200A to 1200A Inrush
 - Normally Closed
 - Ranging from 30A to 100A Continuous
 - Ranging from 30A to 300A Inrush
- Duty Cycle: Continuous



For quantities of 100 and up, call for quote.

MOUSER STOCK NO.	White Rodgers Part No.	Pole Form	Bracket Style	Coil Volt DC	Coil Resistance (Ω) @ 25°C	Contact Material	Contact Rating (Amps)				Dimensions: in.			Wt. (lbs.)	Price Each			
							Inductive Load		VOLT DC	L	W	H	1		10	50		
							Norm. Open	Norm. Closed									Cont.	Inrush
Type 70																		
802-70-901	70-901	SPNO	Standard	6	4	Copper	6	80	300	---	---	2.47	3.48	2.40	0.78	16.81	15.22	13.92
802-70-914	70-914	SPNO	Standard	12	16	Copper	12	80	150	---	---	2.47	3.48	2.40	0.78	17.39	15.94	14.49
802-70-902	70-902	SPNO	Standard	12	16	Copper	12	80	150	---	---	2.47	3.48	2.40	0.78	16.84	15.44	14.04
802-70-906	70-906	SPNO	Standard	12	16	Silver	12	80	150	---	---	2.47	3.48	2.40	0.78	38.72	36.83	35.00
802-70-915	70-915	SPNO	Standard	24	60	Copper	24	50	50	---	---	2.47	3.48	2.40	0.78	17.62	16.31	14.97
802-70-903	70-903	SPNO	Standard	24	60	Copper	24	50	50	---	---	2.47	3.48	2.40	0.78	16.93	15.52	14.11
802-70-904	70-904	SPNO	Standard	36	114	Copper	36	50	50	---	---	2.47	3.48	2.40	0.78	17.48	16.18	14.58
802-70-922	70-922	SPDT	Standard	12	16	NO Cop./NC Slvr	12	80	300	60	60	3.31	3.48	2.40	0.88	40.72	37.33	33.93
802-70-910	70-910	SPDT	Standard	12	16	Silver	12	80	150	60	60	3.31	3.48	2.40	0.88	62.79	58.07	53.37
802-70-911	70-911	SPDT	Standard	24	60	Silver	24	50	50	30	30	3.31	3.48	2.40	0.88	63.07	58.34	52.66
Type 120																		
802-120-901	120-901	SPNO	Standard	12	16	Silver Alloy	12	100	400	---	---	2.13	2.88	3.25	0.38	16.32	14.96	13.60
802-120-907	120-907	SPNO	L	12	16	Silver Alloy	12	100	400	---	---	2.50	3.00	3.25	0.38	17.75	16.42	14.82
802-120-902	120-902	SPNO	Standard	15	20.8	Silver Alloy	15	100	400	---	---	2.13	2.88	3.25	0.38	19.06	17.45	16.59
802-120-908	120-908	SPNO	L	15	20.8	Silver Alloy	15	100	400	---	---	2.50	3.00	3.25	0.38	17.24	15.97	14.67
802-120-904	120-904	SPNO	Standard	24	64	Silver Alloy	24	100	400	---	---	2.13	2.88	3.25	0.38	16.89	15.63	14.36
Type 124																		
802-124-906	124-906	SPNO	Standard	12	13.2	Silver Alloy	12	100	400	---	---	3.56	3.13	2.19	1.00	33.88	31.02	29.52
802-124-902	124-902	SPNO	Standard	12	13.2	Silver Alloy	12	100	400	---	---	3.56	3.13	2.19	1.00	29.04	26.62	24.20
802-124-910	124-910	SPDT	Standard	12	13.2	Silver Alloy	12	200	600	50	200	4.69	3.13	2.19	1.19	45.05	41.30	37.54
802-124-903	124-903	SPNO	Standard	24	53	Silver Alloy	24	100	400	---	---	3.56	3.13	2.19	1.00	29.04	26.62	24.20
802-124-911	124-911	SPDT	Standard	24	53	Silver Alloy	24	200	600	50	100	4.69	3.13	2.19	1.19	45.05	41.30	37.54
802-124-904	124-904	SPNO	Standard	36	120	Silver Alloy	36	100	400	---	---	3.56	3.13	2.19	1.00	30.41	27.58	25.25
Type 586																		
802-586-901	586-901	SPNO	Standard	6	5.3	Silver Alloy	6	200	600	---	---	3.69	3.30	2.90	1.50	47.71	43.34	39.68
802-586-902	586-902	SPNO	Standard	12	21	Silver Alloy	12	200	600	---	---	3.69	3.30	2.90	1.50	44.44	40.74	37.04
802-586-905	586-905	SPNO	Standard	24	84	Silver Alloy	24	200	600	---	---	3.69	3.30	2.90	1.50	44.44	40.74	37.04
802-586-906	586-906	SPNO	Standard	36	189	Silver Alloy	36	200	600	---	---	3.69	3.30	2.90	1.50	44.44	40.74	37.04
802-586-907	586-907	SPNO	Standard	48	336	Silver Alloy	36	200	600	---	---	3.69	3.30	2.90	1.50	44.44	40.74	37.04
802-586-911	586-911	SPDT	Standard	12	13.2	Silver Alloy	12	200	600	100	300	4.61	3.30	2.90	1.63	66.07	60.95	55.84
802-586-914	586-914	SPDT	Standard	24	53	Silver Alloy	24	200	600	100	200	4.61	3.30	2.90	1.63	67.10	61.12	56.06
Type 686																		
802-686-905	686-905	SPNO	Vertical	12	10.5	Copper	12	500	1200	---	---	3.17	2.58	2.85	1.30	168.24	155.70	144.06

WHITE RODGERS SNAP ACTION DISC THERMOSTATS

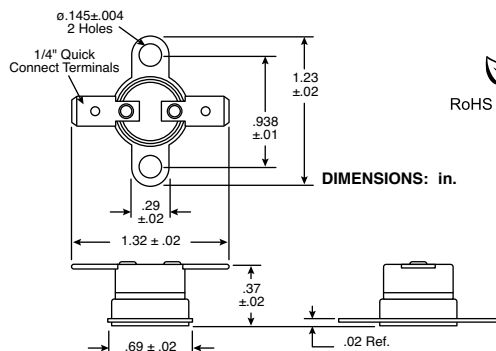
Features:

- Loose ring, stainless steel mounting brackets
- 1/4" quick connect termination
- Automatic reset
- Enclosed Disc
- Aluminum Disc Cup

Specifications:

- Single Pole, Single Throw
- Available in either open or close on temperature rise
- Consult factory for D.C. rating

- General Electrical Ratings
- Resistive: 15A @ 120VAC, 10A @ 240VAC
- Inductive: 3.0FLA-12.0LRA @ 120VAC, 1.5FLA-6.0LRA @ 240VAC
- Pilot Duty: 125VA



RoHS Compliant

For quantities of 100 and up, call for quote.

MOUSER STOCK NO.	White Rodgers Part No.	Operating Range†		Function††	Differential†††	Price Each		
		°F	°C			1	10	50
802-STO-60	3L11-60	55 to 65	13 to 18	Opens	20°F 12°C	4.42	4.14	3.96
802-STO-85	3L11-85	80 to 90	27 to 32	Opens	15°F 8°C	4.70	4.57	4.46
802-STC-100	3F11-100	93 to 107	34 to 42	Closes	30°F 17°C	4.42	4.14	3.96
802-STC-120	3F11-120	113 to 127	45 to 53	Closes	30°F 17°C	4.56	4.41	4.32
802-STO-120	3L11-120	115 to 125	46 to 52	Opens	30°F 17°C	4.70	4.57	4.46
802-STC-140	3F11-140	133 to 147	56 to 64	Closes	30°F 17°C	4.42	4.14	3.96
802-STO-140	3L11-140	135 to 145	57 to 63	Opens	30°F 17°C	4.42	4.14	3.96
802-STO-160	3L11-160	155 to 165	68 to 74	Opens	30°F 17°C	4.56	4.41	4.32
802-STO-170	3L11-170	165 to 175	74 to 79	Opens	30°F 17°C	4.42	4.14	3.96
802-STC-170	3F11-170	162 to 178	72 to 81	Closes	30°F 17°C	4.42	4.14	3.96
802-STO-190	3L11-190	185 to 195	85 to 91	Opens	30°F 17°C	4.53	4.41	4.30
802-STO-210	3L11-210	204 to 216	96 to 102	Opens	30°F 17°C	4.42	4.14	3.96
802-STO-250	3L11-250	244 to 256	118 to 124	Opens	30°F 17°C	4.42	4.14	3.96
802-STO-325	3L11-325	315 to 335	157 to 169	Opens	50°F 28°C	4.42	4.14	3.96

† Operating Range: Range of temperature at which disc thermostat performs switching function.
 †† Function: Opens - Normally closed circuit - opens within specified temperature range.
 Closes - Normally open circuit - closes within specified temperature range.
 ††† Differential: Temperature drop below operating range minimum necessary for disc to reset.