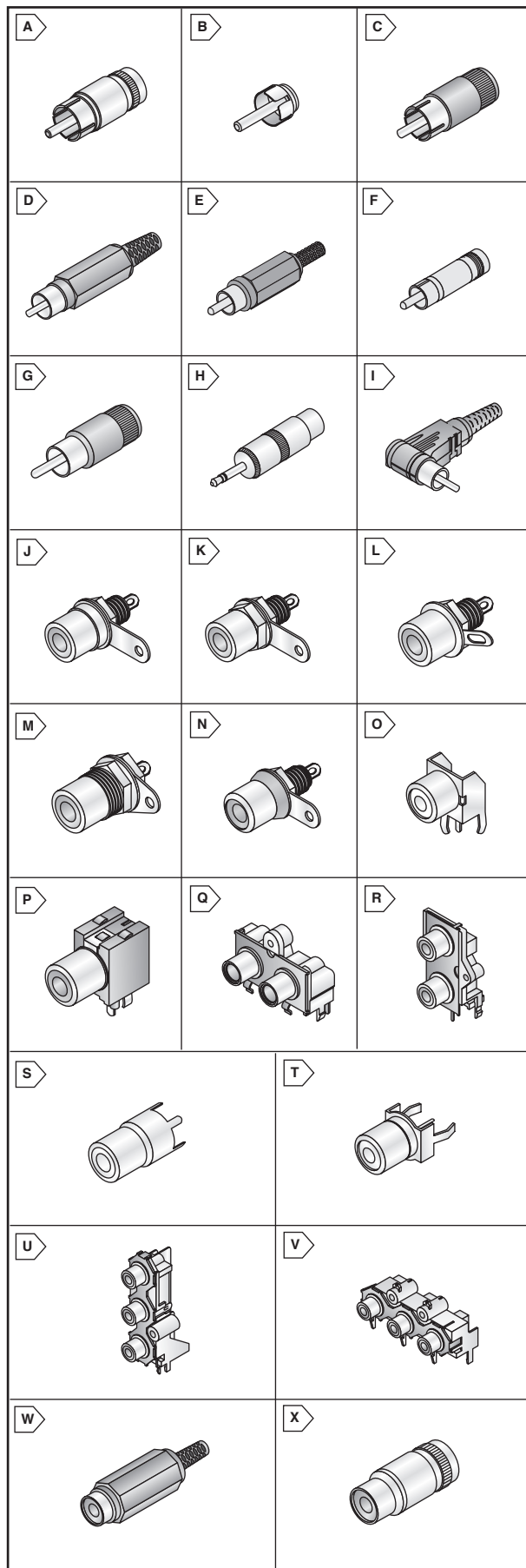


KOBICONN Phono Plugs and Jacks

PHONO PLUGS

For quantities of 1000 and up, call for quote.

MOUSER STOCK NO.	Fig.	Description	Price Each			
			1	10	100	500
Shielded						
17PP058	A	RCA phono plug	1.53	1.18	1.07	.97
Non-Shielded						
17PP050-E	B	Uninsulated brass, .06 Diameter	.30	.20	.18	.16
17PP052	C	Black plastic insulator, hollow center pin	.99	.76	.69	.63
171-0530	C	Hi-temp. phenolic insulator, hollow center pin	1.24	.95	.86	.78
171-0520	C	Black plastic barrel with solid center pin	1.27	.98	.89	.81
174-4356-E	D	General purpose w/strain relief & red ID ring	.71	.50	.45	.41
174-4357-E	D	General purpose w/strain relief & white ID ring	.71	.50	.45	.41
174-4358-E	D	General purpose w/strain relief & yellow ID ring	.71	.50	.45	.41
174-4359-E	D	General purpose w/strain relief & black ID ring	.71	.50	.45	.41
172-RPA1201-E	E	5mm RCA Plug Hexacon Cap	.42	.32	.29	.26
172-RPA1005-E	F	5mm RCA Plug Metal Cap	.90	.69	.63	.50
174-0051-E	G	Red with hollow center pin	.58	.41	.37	.34
174-0052-E	G	Black with hollow center pin	.58	.41	.37	.34
174-AD31RJ-1-E	H	3.5 Mono Plug-RCA Jack	1.53	1.18	1.07	.97
174-0151-E	D	Red body with strain relief	.67	.47	.43	.39
174-0152-E	D	Black body with strain relief	.67	.47	.43	.39
174-0153-E	D	White body with strain relief	.67	.47	.43	.39
174-0154-E	D	Yellow body with strain relief	.67	.47	.43	.39
174-0251-E	I	Red right angle with strain relief	.91	.70	.64	.58
174-0252-E	I	Black right angle with strain relief	.91	.70	.64	.58
174-0253-E	I	White right angle with strain relief	.91	.70	.64	.58
174-0254-E	I	Yellow right angle with strain relief	.91	.70	.64	.58



PHONO JACKS

Panel Mount

For quantities of 1000 and up, call for quote.

MOUSER STOCK NO.	Fig.	Description	Price Each			
			1	10	100	500
16PJ052	J	Nickel plated grounded black insulator	1.27	.98	.89	.81
161-1002	J	Nickel plated grounded red insulator	1.13	.87	.79	.72
161-1004	J	Nickel plated grounded white insulator	1.09	.84	.76	.69
161-1005	J	Nickel plated grounded yellow insulator	1.09	.84	.76	.69
161-1052	K	Front mounting 9mm hex base black insulator	1.26	.97	.88	.80
161-1053	K	Front mounting 9mm hex base red insulator	1.26	.97	.88	.80
161-1054	K	Front mounting 9mm hex base yellow insulator	1.26	.97	.88	.80
161-1055	K	Front mounting 9mm hex base white insulator	1.26	.97	.88	.80
*161-2003	L	Nickel plated grounded black insulator	1.46	1.12	1.02	.93
161-2052	L	Nickel plated grounded black insulator	.85	.65	.60	.48
164-4215	L	Front mounting, grounded jack	2.41	2.20	2.00	1.82
16PJ035	M	Rear mounting, grounded jack, black	2.20	1.69	1.54	1.40
161-0351	M	Rear mounting, grounded jack, red	2.30	1.77	1.61	1.46
161-0251-EX	N	With red outside I.D. ring	1.18	.91	.83	.75
161-0252-EX	N	With black outside I.D. ring	1.18	.91	.83	.75
161-0253-EX	N	With white outside I.D. ring	1.18	.91	.83	.75
161-0254-EX	N	With yellow outside I.D. ring	1.18	.91	.83	.75

*With insulating nylon washers

PCB Mount

For quantities of 1000 and up, call for quote.

161-4216	O	90° nickel plated black phenolic insulator 200°C	.85	.65	.59	.54
161-0340-E	O	90° tin plated blue ABS insulator 70°C	.53	.35	.32	.29
161-0350-E	O	90° tin plated green ABS insulator 70°C	.53	.35	.32	.29
161-0360-E	O	90° tin plated white ABS insulator 70°C	.53	.35	.32	.29
161-0370-E	O	90° tin plated red ABS insulator 70°C	.53	.35	.32	.29
161-0390-E	O	90° tin plated black ABS insulator 70°C	.53	.35	.32	.29
161-0096-E	P	Non-switched PC mount jack, red	.55	.42	.38	.34
161-0097-E	P	Non-switched PC mount jack, black	.55	.42	.38	.34
161-0098-E	P	Non-switched PC mount jack, white	.55	.42	.38	.34
161-0099-E	P	Non-switched PC mount jack, yellow	.55	.42	.38	.34
161-4218-E	Q	Horiz. mounted, dual, with red/white insulator	.75	.57	.52	.48
161-4220-E	Q	Horiz. mount, dual, red/white insul., gold plated	1.04	.69	.63	.57
161-4219-E	R	Vert. mounted, dual, with red/white insulator	.69	.46	.42	.38
16PJ092-E	S	Jack for printed circuit board, black	.91	.70	.64	.58
534-577	T	Jack for printed circuit board	.93	.78	.738	.644
161-0396-E	P	Jack for printed circuit board	.99	.66	.60	.55
161-4221-E	P	Vert. mount, dual, red/white insul., gold plated	1.08	.76	.69	.63
161-4319-E	U	Vert. mount, triple, red, white and yellow	1.50	1.14	1.04	.95
161-4320-E	U	Vert. mount, triple, red, green and blue	1.50	1.14	1.04	.95
161-4222-E	V	Horiz. mount, triple, red, green and blue	1.14	.85	.78	.71
161-4223-E	V	Horiz. mount, triple, red, white and yellow	1.14	.85	.78	.71

Cable Mount

For quantities of 1000 and up, call for quote.

161-4356-E	W	Red ID ring	.66	.50	.45	.41
161-4357-E	W	White ID ring	.66	.50	.45	.41
161-4358-E	W	Yellow ID ring	.66	.50	.45	.41
161-4359-E	W	Black ID ring	.66	.50	.45	.41
16PJ150	X	Shielded	1.59	1.22	1.11	1.01
161-0151-E	W	Red handle with strain relief	.66	.47	.43	.39
161-0152-E	W	Black handle with strain relief	.66	.47	.43	.39
161-0153-E	W	White handle with strain relief	.66	.47	.43	.39
161-0154-E	W	Yellow handle with strain relief	.66	.47	.43	.39