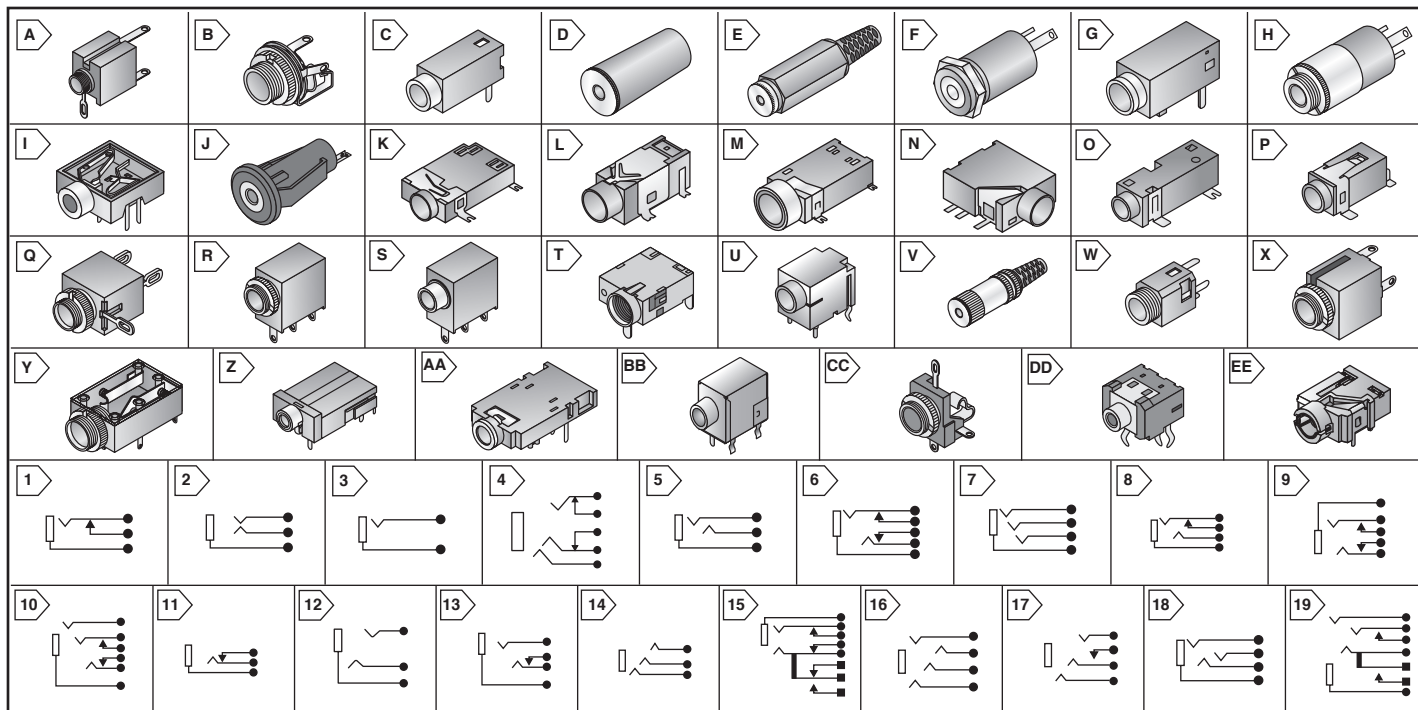


KOBICONN Phone Jacks



2.5MM JACKS

For quantities 500 and up, call for quote.

MOUSER STOCK NO.	Fig.	Mtg. Hole (In.)	Ckt. Dia.	Description	Price Each		
					1	10	100
Mono							
161-0250-E	A	---	1	Gray plastic, N/C swc., chassis mnt	.60	.40	.36
161-3403-E	A	---	1	Black plastic, N/C swc., chassis mnt	.48	.32	.29
16PJ100	B	0.18	1	Knurled nut, washer, N/C swc., chassis mnt	1.05	.81	.74
161-2505-E	C	0.22	2	Enclosed, open circuit, PCB mount	.62	.42	.38
16PJ105-EX	D	---	3	Black plastic handle, in-line	.90	.69	.63
16PJ227-EX	E	---	3	Black PVC molded handle w/strain relief, in-line	.90	.67	.61
161-1650-EX	F	0.32	3	Plastic housing, panel mount	.92	.68	.55
Stereo							
161-3480-EX	G	---	12	3-conductor, PCB mount w/metal sleeve	1.45	1.11	1.01
161-7000-EX	H	---	12	Panel mount plastic/metal housing	1.34	1.03	.94
161-7100-EX	F	---	5	Plastic housing, panel mount	1.02	.68	.62
161-2508-EX	I	---	6	PC mount with two N/C switches - no nut	1.29	.86	.78
161-2225-EX	E	---	5	In-line with strain relief	1.34	1.03	.94
161-071SP-EX	J	0.35	5	3-conductor sub-mini stereo jack, black	1.52	1.13	.92
4 Conductor							
161-6425-EX	E	---	7	Black plastic housing with strain relief	1.52	1.01	.92
161-5425-EX	F	---	7	Gray plastic housing	1.52	1.01	.92
161-6900-EX	H	---	7	Plastic/metal housing with hex nut	1.79	1.19	1.08
161-068SP-EX	J	0.35	7	Sub-miniature jack, grey, snap-in	1.52	1.13	.92

2.5MM SMT JACKS

Available on tape & reel as special order.

Add /TR to end of P/N.



RoHS Compliant

• RoHS Compliant per Kobiconn documentation

For quantities 500 and up, call for quote.

MOUSER STOCK NO.	Fig.	Mtg. Hole (In.)	Ckt. Dia.	Description	Price Each		
					1	10	100
Stereo							
161-2622-E	K	0.17	5	Black plastic open circuit	.89	.59	.54
161-2623-E	K	0.17	9	Black plastic closed circuit	1.13	.87	.79
161-2625-E	L	0.17	5	Black plastic open circuit	.95	.73	.67
4 Conductor							
161-2828-E	M	0.22	10	4-conductor closed circuit, use with 172-MC254-EX, 171-M19442-EX only	1.52	1.01	.92
161-2624-E	N	0.17	10	4-conductor closed circuit	1.39	1.16	1.06

3.5MM SMT JACKS

Available on tape & reel as special order.

Add /TR to end of P/N.



RoHS Compliant

• RoHS Compliant per Kobiconn documentation

For quantities 500 and up, call for quote.

MOUSER STOCK NO.	Fig.	Mtg. Hole (In.)	Ckt. Dia.	Description	Price Each		
					1	10	100
Mono							
161-4035-E	O	0.22	11	Black plastic NC switch	.90	.67	.61
161-3334-E	P	0.22	12	Black plastic open circuit	.91	.61	.56
Stereo							
161-4033-E	O	0.22	5	Black plastic open circuit	.90	.67	.61
161-4034-E	O	0.22	13	Black plastic NC switch	1.08	.83	.75
161-3935-E	P	0.27	14	Black plastic open circuit	.76	.58	.53
161-2805-E	N	0.22	6	Black plastic 2 NC switches	.96	.64	.58
4 Conductor							
161-3934-E	P	0.27	16	4-conductor open circuit	.88	.68	.62

3.5MM JACKS

For quantities 500 and up, call for quote. † With threaded bushing ‡ With knurled nut

MOUSER STOCK NO.	Fig.	Mtg. Hole (In.)	Ckt. Dia.	Description	Price Each		
					1	10	100
Mono							
16PJ138	Q	0.27	1	Beige plastic, N/C switch w/o spring, chassis mnt	.38	.29	.26
161-3520-EX	R	0.27	1	Enclosed plastic housing, N/C switch, PCB mnt	1.50	1.00	.91
161-314M-E	B	0.27	1	Knurled nut, washer, N/C switch, chassis mnt	1.09	.84	.76
161-352N-EX	S	0.28	1	Enclosed plastic housing, N/C switch, PCB mnt	1.38	.92	.84
161-3142M-E	B	0.27	1	Hex dress nut, N/C switch, chassis mount	1.09	.84	.76
16PJ119-EX	D	---	3	Black plastic handle, in-line	.90	.69	.63
16PJ225-EX	E	---	3	Black PVC molded handle w/strain relief, in-line	.95	.73	.66
161-37435-E	T	0.27	1	Black plastic, closed circuit, PCB mount	1.26	.97	.88
161-3564-E	U	---	1	Black plastic housing, N/C switch, PCB mount	.94	.73	.66
161-3200-EX	V	---	3	Shielded handle with black strain relief, in-line	1.98	1.32	1.20
161-3412-EX	W	0.27	1	Black plastic, PCB mount, N/C switch	1.02	.68	.62
161-1640-EX	P	0.32	3	Plastic housing, panel mount	.92	.61	.55
161-1645P-EX	J	0.35	3	2 Cond mini mono jack, black	.88	.68	.61
161-MJ153-EX	B	---	11	2 Cond mini mono jack, closed circuit	1.52	1.08	.93
Stereo							
161-3402-E	Q	0.27	12	Black plastic, open circuit, chassis mount	.53	.33	.30
161-0352-EX	W	0.27	5	Black plastic, solder term, open circuit, chassis mnt	1.29	1.00	.91
161-MJ355W-EX	X	---	5	Black Plastic, solder term, open circuit, chassis mnt	1.29	1.00	.91
161-MJ352-E	Y	0.27	5	Black plastic, open circuit, with nut, PCB mount	1.51	1.08	.98
16PJ106-EX	E	---	5	Black PVC molded handle w/strain relief, in-line	1.55	1.19	1.08
161-354W-EX	T	0.32	6	2-SPST N/C switches, PCB mount	1.83	1.22	1.11
161-354W-SG-EX	R	0.32	6	2-SPST N/C switches, PCB mount, isolated bushing	1.98	1.32	1.20
161-3300-EX	V	---	5	Shielded with black strain relief, in-line	1.87	1.44	1.31
16PJ108-EX	Z	0.27	17	Black plastic housing, closed circuit, PCB mount	1.59	1.22	1.11
161-3503-EX	AA	0.27	15	2-SPST N/C switches plus 1-SPDT swc., PCB mnt	1.44	1.20	1.09
161-3507-E	Y	0.27	12	Black plastic, open circuit, with nut, PCB mount	.79	.57	.48
161-3508-E	Y	0.27	6	2-SPST N/C switches, PCB mount	.84	.57	.52
161-3509-E	Y	0.27	8	1-SPST N/C switch, PCB mount	.81	.55	.50
161-7300-EX	P	0.32	12	Plastic housing, panel mount	1.02	.68	.62
161-7400-EX	H	0.24	12	Panel mount, plastic/metal housing	1.34	1.03	.94
161-2903-E	BB	0.27	5	Metal shielded open circuit	.72	.48	.44
161-MJ082-EX	CC	---	5	3-conductor, mini stereo jack, open circuit	1.59	1.22	.94
161-MJ083-EX	CC	---	13	3-conductor, mini stereo jack, closed circuit	1.74	1.34	1.03
161-073SP-EX	J	0.35	5	3-conductor, mini stereo jack, Black	1.37	1.05	.87
161-064SP-EX	J	0.35	18	4-conductor, mini jack grey	1.47	1.13	1.00
161-MJ2735-5-E	DD	---	6	Stereo, earphone jack, PC mount	1.28	.85	.77
161-MJ2735-3-E	DD	---	5	Stereo, earphone jack, PC mount	1.37	1.05	.81
4 Conductor							
161-6435-EX	E	---	18	Black plastic housing with strain relief	1.34	1.03	.94
161-5435-EX	F	0.30	18	Gray plastic housing with strain relief	1.34	1.03	.94
161-7900-EX	H	0.30	18	Plastic/metal housing with hex nut	1.56	1.20	1.09
161-2408-E	EE	0.27	19	Black plastic 1 NC switch, 1SPST NC switch	.96	.64	.58