

SYFER SMD EMI Pi and X2Y Filters



RoHS Compliant This product is RoHS compliant.

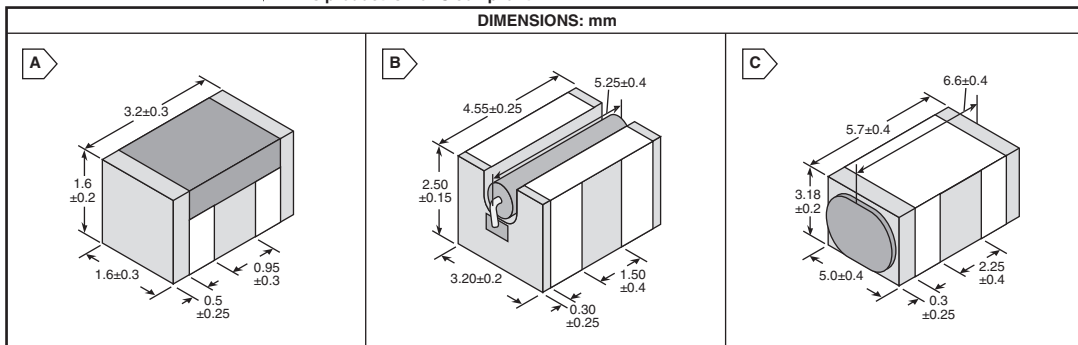
SMD EMI PI FILTERS

Features:

- Miniature SMD package
- X7R and COG dielectrics
- EMI filtering performance up to 1GHz and higher
- Ideal for telecom, power supplies, and industrial equipment
- Also suitable for mil/aerospace applications

Specifications:

- Tolerance: 20%
- Operating Temperature: -55°C to +125°C
- Rated Current: 1 Amp DC
- Ferrite Inductance: 0.25uH(SBSP), 0.5uH (SBSG,SBSM)
- Max Solder Temperature: 220°C



SBSP Series (1 Amp)

For quantities greater than listed, call for quote.

MOUSER STOCK NO.	Syfer Part No.	Fig.	Capacitance Value	Volt (DC)	Dielectric	Price Each				Reel Qty.	Price Per Piece
						1	50	100	500		
843-SBSP1000101MC	SBSPP1000101MCT	A	100pF	100	C0G	2.03	1.52	1.02	.76	1500	.63
843-SBSP1000471MC	SBSPP1000471MCT	A	470pF	100	C0G	2.03	1.52	1.02	.76	1500	.63
843-SBSP1000102MX	SBSPP1000102MXT	A	1000pF	100	X7R	2.03	1.52	1.02	.76	1500	.63
843-SBSP1000472MX	SBSPP1000472MXT	A	.0047uF	100	X7R	2.03	1.52	1.02	.74	1500	.61
843-SBSP1000103MX	SBSPP1000103MXT	A	.01uF	100	X7R	2.03	1.52	1.02	.74	1500	.61
843-SBSP0500473MX	SBSPP0500473MXT	A	.047uF	50	X7R	2.03	1.52	1.02	.76	1500	.63
843-SBSP0250104MX	SBSPP0250104MXT	A	.1uF	25	X7R	2.03	1.52	1.02	.76	1500	.63
843-SBSP0250154MX	SBSPP0250154MXT	A	.15uF	25	X7R	2.03	1.52	1.02	.76	1500	.63

SBSG Series (5 Amp)

For quantities greater than listed, call for quote.

MOUSER STOCK NO.	Syfer Part No.	Fig.	Capacitance Value	Volt (DC)	Dielectric	Price Each				Reel Qty.	Price Per Piece
						1	50	100	500		
843-SBSGP5000472MX	SBSGP5000472MXT	B	.0047uF	500	X7R	12.63	9.47	6.32	4.74	500	4.74
843-SBSGP5000103MX	SBSGP5000103MXT	B	.01uF	500	X7R	12.63	9.47	6.32	4.74	500	4.74
843-SBSGP2000683MX	SBSGP2000683MXT	B	.068uF	200	X7R	12.24	10.64	7.45	4.79	500	4.79
843-SBSGP1000154MX	SBSGP1000154MXT	B	.15uF	100	X7R	12.47	10.87	7.61	4.89	500	4.89
843-SBSGP0500224MX	SBSGP0500224MXT	B	.22uF	50	X7R	12.47	10.87	7.61	4.89	500	4.89

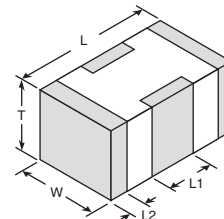
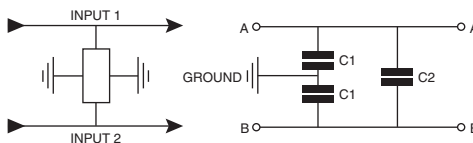
SBSM Series (10 Amp)

For quantities greater than listed, call for quote.

MOUSER STOCK NO.	Syfer Part No.	Fig.	Capacitance Value	Volt (DC)	Dielectric	Price Each				Reel Qty.	Price Per Piece
						1	50	100	500		
843-SBSMP5000102MX	SBSMP5000102MXT	C	1000pF	500	X7R	18.31	13.73	9.15	6.86	500	6.86
843-SBSMP5000153MX	SBSMP5000153MXT	C	.015uF	500	X7R	18.44	13.83	9.22	6.91	500	6.91
843-SBSMP5000683MX	SBSMP5000683MXT	C	.068uF	500	X7R	18.77	14.08	9.39	7.04	500	7.04
843-SBSMP1000334MX	SBSMP1000334MXT	C	.33uF	100	X7R	20.13	15.10	10.07	7.55	500	7.55
843-SBSMP0500474MX	SBSMP0500474MXT	C	.47uF	50	X7R	20.47	15.35	10.23	7.67	500	7.67

X2Y FILTERS

The Syfer X2Y Integrated Passive Component is a 3 terminal EMI chip device. The revolutionary design provides simultaneous line-to-line and line-to-ground filtering, using a single ceramic chip. In this way, differential and common mode filtering are provided in one device. Available in sizes from 0603 to 2220, these filters can prove invaluable in meeting stringent EMC demands.



Specifications:

- Dielectric: X7R or COG
- Temperature Rating: -55°C to 125°C
- Dielectric Withstand Voltage: 2.5 x Rated Volts for 5 secs.; Charging current limited to 50mA Max.
- Insulation Resistance: 100Gohms or 1000s (whichever is the less)

Features:

- Replaces 2 or 3 capacitors with one device
- Matched capacitance line to ground on both lines
- Low inductance due to cancellation effect
- Differential and common mode attenuation
- Effects of temperature and voltage variation eliminated
- Effect of ageing equal on both lines
- High current capability

Applications:

- Balanced lines and twisted pairs
- EMI Suppression on DC motors
- Sensor/transducer applications
- Wireless communications
- Audio
- CANBUS

For quantities greater than listed, call for quote.

MOUSER STOCK NO.	Syfer Part No.	Cap Value	Volt (DC)	Dielectric	Termination	Dimensions: mm					Price Each				Reel Qty.	Price Per Piece
						L	W	T	L1	L2	1	50	100	500		
843-0603J0500330MC3	0603J0500330MCTE03	33pF	50	C0G	Matte Tin	1.6±0.2	0.8±0.2	0.5±0.15	0.4±0.15	0.25±0.15	1.00	.85	.71	.63	4000	.431
843-0603J0250101MC3	0603J0250101MCTE03	100pF	25	C0G	Matte Tin	1.6±0.2	0.8±0.2	0.5±0.15	0.4±0.15	0.25±0.15	1.00	.85	.71	.63	4000	.431
843-0805J1000101MC3	0805J1000101MCTE03	100pF	100	C0G	Matte Tin	2.0±0.3	1.25±0.2	1.0±0.15	0.5±0.25	0.3±0.15	1.35	1.14	.96	.82	3000	.59
843-1206J1000103MX3	1206J1000103MXT E03	.01uF	100	X7R	Matte Tin	3.2±0.3	1.6±0.2	1.1±0.2	0.95±0.3	0.5±0.25	2.01	1.61	1.33	.98	2500	.667
843-1206J1000473MX3	1206J1000473MXT E03	.047uF	100	X7R	Matte Tin	3.2±0.3	1.6±0.2	1.1±0.2	0.95±0.3	0.5±0.25	2.01	1.61	1.33	.98	2500	.667
843-1410Y0500334MX3	1410Y0500334MXT E03	.33uF	50	X7R	FlexiCap	3.6±0.3	2.5±0.3	2 Max.	1.20±0.3	0.5±0.25	3.96	3.53	2.85	1.85	2000	1.01
843-1410Y0500404MX3	1410Y0500404MXT E03	.4uF	50	X7R	FlexiCap	3.6±0.3	2.5±0.3	2 Max.	1.20±0.3	0.5±0.25	3.96	3.53	2.85	1.85	2000	1.01
843-1812Y1000334MX3	1812Y1000334MXT E03	.33uF	100	X7R	FlexiCap	4.5±0.35	3.2±0.3	2 Max.	1.4±0.35	0.75±0.25	6.49	5.65	3.82	2.21	1000	1.85
843-1812Y0500444MX3	1812Y0500444MXT E03	.44uF	50	X7R	FlexiCap	4.5±0.35	3.2±0.3	2 Max.	1.4±0.35	0.75±0.25	6.49	5.65	3.82	2.21	1000	1.85
843-1812Y0500474MX3	1812Y0500474MXT E03	.47uF	50	X7R	FlexiCap	4.5±0.35	3.2±0.3	2 Max.	1.4±0.35	0.75±0.25	6.49	5.65	3.82	2.21	1000	1.85