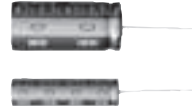


NICHICON Electric Double Layer Supercapacitors **nichicon**

Nichicon offers the Electric Double Layer Supercapacitors (EDLC) EverCAP series. The Supercapacitors EverCAP series is adapted to the RoHS directive (2002/95/EC) and has a wide temperature range from -25° to +60°C.

- Series UM features radial leads and a rated voltage range of 2.7V, for quick charge and discharge
- Series JL features a high power density in a screw terminal type, for rapid charge-discharge
- Series JD features high energy density in a screw terminal type, suitable for electric power storage
- Series JC features high energy, high density, in a screw terminal type, excellent voltage holding property



RoHS Compliant

NICHICON RADIAL LEAD 2.7V

Features:

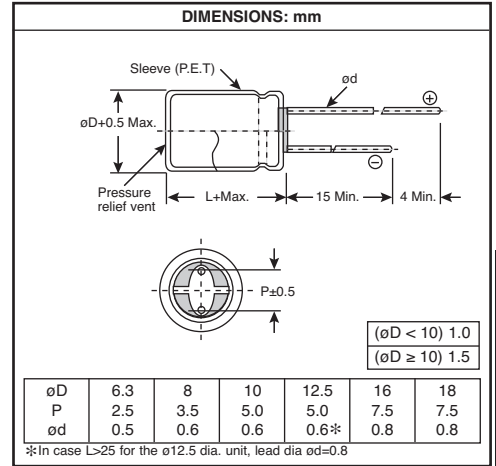
- High voltage type (2.7V)
- Suitable for quick charge and discharge
- Wide temperature range (-25 to +70°C)

Specifications:

- Voltage Range: 2.7V
- Tolerance: ±20%, 20°C

For quantities of 500 and up, call for quote.

MOUSER STOCK NO.	Nichicon Part No.	Value (F)	Case Size D x L (mm) Max.	ESR (at 1kHz)	Price Each				
					1	10	50	100	200
647-JUMT1474MED	JUMT1474MED	0.47	6.3 x 11	4	1.14	.978	.956	.695	.596
647-JUMT1105MPD	JUMT1105MPD	1	8 x 11.5	2	1.43	1.22	1.19	.865	.745
647-JUMT1225MPD	JUMT1225MPD	2.2	8 x 20	2	1.94	1.57	1.49	1.19	1.02
647-JUMT1335MPD	JUMT1335MPD	3.3	10 x 20	1	2.77	2.24	2.12	1.71	1.46
647-JUMT1475MHD	JUMT1475MHD	4.7	12.5 x 20	0.4	4.05	3.26	3.04	2.54	2.08
647-JUMT1106MHD	JUMT1106MHD	10	12.5 x 31.5	0.1	3.56	2.86	2.43	2.23	1.83
647-JUMT1226MHD	JUMT1226MHD	22	16 x 31.5	0.1	6.24	5.54	4.84	4.43	4.02
647-JUMT1336MHD	JUMT1336MHD	33	18 x 31.5	0.1	7.71	6.85	6.14	5.48	4.96
647-JUMT1476MHD	JUMT1476MHD	47	18 x 40	0.1	9.54	8.48	7.61	6.78	6.14



NICHICON SNAP-IN TERMINAL TYPE

Features:

- Excellent in voltage holding property
- Suitable for quick charge and discharge
- With temperature range (-25°C to +60°C)

Specifications:

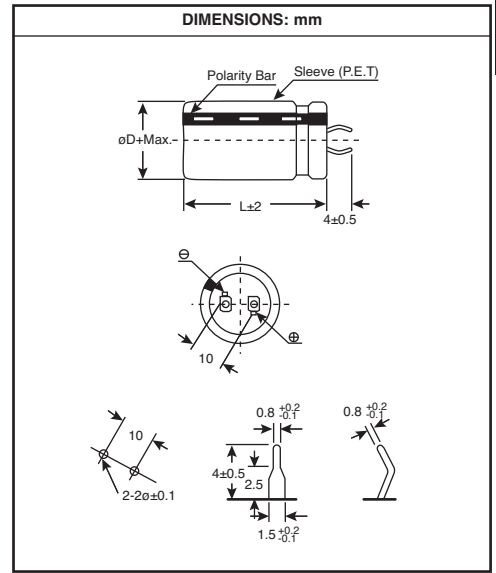
- Voltage Range: 2.5V
- Tolerance: ±20%, (20°C)



RoHS Compliant

For quantities of 500 and up, call for quote.

MOUSER STOCK NO.	Nichicon Part No.	Value (F)	Case Size D x L (mm) Max.	Price Each			
				1	10	50	100
647-JJC0E156MELZ	JJC0E156MELZ	15	22 x 20	8.39	7.45	6.69	5.96
647-JJC0E186MELA	JJC0E186MELA	18	25 x 20	8.74	7.76	6.97	6.21
647-JJC0E226MELB	JJC0E226MELB	22	30 x 20	9.09	8.07	7.25	6.46
647-JJC0E276MELB	JJC0E276MELB	27	22 x 30	9.79	8.69	7.80	6.95
647-JJC0E276MELZ	JJC0E276MELZ	27	30 x 20	9.44	8.38	7.53	6.71
647-JJC0E336MELA	JJC0E336MELA	33	25 x 30	10.14	9.01	8.08	7.20
647-JJC0E336MELC	JJC0E336MELC	33	35 x 20	10.49	9.32	8.36	7.45
647-JJC0E396MELA	JJC0E396MELA	39	22 x 35	10.84	9.63	8.64	7.70
647-JJC0E396MELC	JJC0E396MELC	39	25 x 30	11.18	9.94	8.92	7.95
647-JJC0E396MELZ	JJC0E396MELZ	39	35 x 20	10.49	9.32	8.36	7.45
647-JJC0E476MELA	JJC0E476MELA	47	22 x 40	10.25	9.73	8.62	7.68
647-JJC0E476MELZ	JJC0E476MELZ	47	25 x 35	11.18	9.94	8.92	7.95
647-JJC0E566MELA	JJC0E566MELA	56	25 x 40	10.87	10.33	9.15	8.15
647-JJC0E566MELB	JJC0E566MELB	56	30 x 30	11.18	10.62	9.41	8.38
647-JJC0E686MELC	JJC0E686MELC	68	35 x 30	11.81	11.21	9.93	8.85
647-JJC0E826MELA	JJC0E826MELA	82	25 x 50	12.74	12.10	10.72	9.55
647-JJC0E826MELB	JJC0E826MELB	82	30 x 40	13.05	12.39	10.98	9.78
647-JJC0E107MELC	JJC0E107MELC	100	35 x 35	14.29	13.57	12.02	10.71
647-JJC0E127MELB	JJC0E127MELB	120	30 x 50	15.53	14.75	13.07	11.65
647-JJC0E127MELC	JJC0E127MELC	120	35 x 40	15.53	14.75	13.07	11.65
647-JJC0E157MELC	JJC0E157MELC	150	35 x 50	18.02	17.11	15.16	13.51



NICHICON SCREW TERMINAL HIGH ENERGY DENSITY 2.5V

Features:

- High energy density
- Suitable for electric power storage

Specifications:

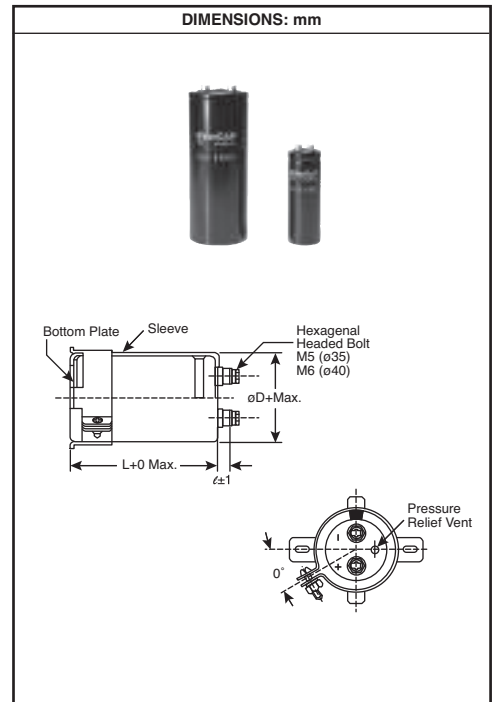
- Voltage Range: 2.5V
- Tolerance: ±20%, 20°C



RoHS Compliant

For quantities of 500 and up, call for quote.

MOUSER STOCK NO.	Nichicon Part No.	Value (F)	Case Size D x L (mm) Max.	DCR (mΩ)	Price Each				
					1	10	50	100	200
647-JJD0E607MSEC	JJD0E607MSEC	600	35 x 85	16	71.30	66.84	59.90	57.92	56.81
647-JJD0E807MSEC	JJD0E807MSEC	800	35 x 105	13	81.79	76.68	68.72	66.45	65.17
647-JJD0E957MSEC	JJD0E957MSEC	950	35 x 135	10	94.37	88.47	79.29	76.67	75.19
647-JJD0E108MSED	JJD0E108MSED	1000	40 x 105	10	93.12	88.30	85.43	81.88	80.27
647-JJD0E138MSED	JJD0E138MSED	1300	40 x 135	8	108.33	102.72	98.56	95.25	93.38
647-JJD0E238MSEF	JJD0E238MSEF	2300	51 x 135	5	151.39	146.43	140.67	134.87	132.12
647-JJD0E258MSEF	JJD0E258MSEF	2500	51 x 150	4	160.39	155.14	148.82	142.89	139.98
647-JJD0E408MSEG	JJD0E408MSEG	4000	63.5 x 150	2	246.90	238.81	227.14	219.96	215.47



NICHICON SCREW TERMINAL HIGH POWER DENSITY 2.5V

Features:

- High power density
- Rapid charge-discharge
- Suitable for regeneration and UPS applications

Specifications:

- Voltage Range: 2.5V
- Tolerance: ±20%, 20°C



RoHS Compliant

For quantities of 500 and up, call for quote.

MOUSER STOCK NO.	Nichicon Part No.	Value (F)	Case Size D x L (mm) Max.	DCR (mΩ)	Price Each				
					1	10	50	100	
647-JJL0E407MSEC	JJL0E407MSEC	400	35 x 85	7	85.98	80.61	74.24	69.86	68.51
647-JJL0E557MSEC	JJL0E557MSEC	550	35 x 105	5	93.12	88.30	84.45	81.88	80.27
647-JJL0E657MSEC	JJL0E657MSEC	650	35 x 135	4	106.43	100.92	96.52	93.58	91.75
647-JJL0E707MSED	JJL0E707MSED	700	40 x 105	4	117.83	111.73	107.45	103.60	101.57
647-JJL0E857MSED	JJL0E857MSED	850	40 x 135	3	138.74	131.56	126.38	121.99	119.60
647-JJL0E158MSEF	JJL0E158MSEF	1500	51 x 135	2	200.05	193.50	185.89	178.22	174.58
647-JJL0E168MSEF	JJL0E168MSEF	1600	51 x 150	2	205.45	198.72	191.53	183.03	179.30
647-JJL0E268MSEG	JJL0E268MSEG	2600	63.5 x 150	2	340.62	329.46	316.71	303.45	297.26