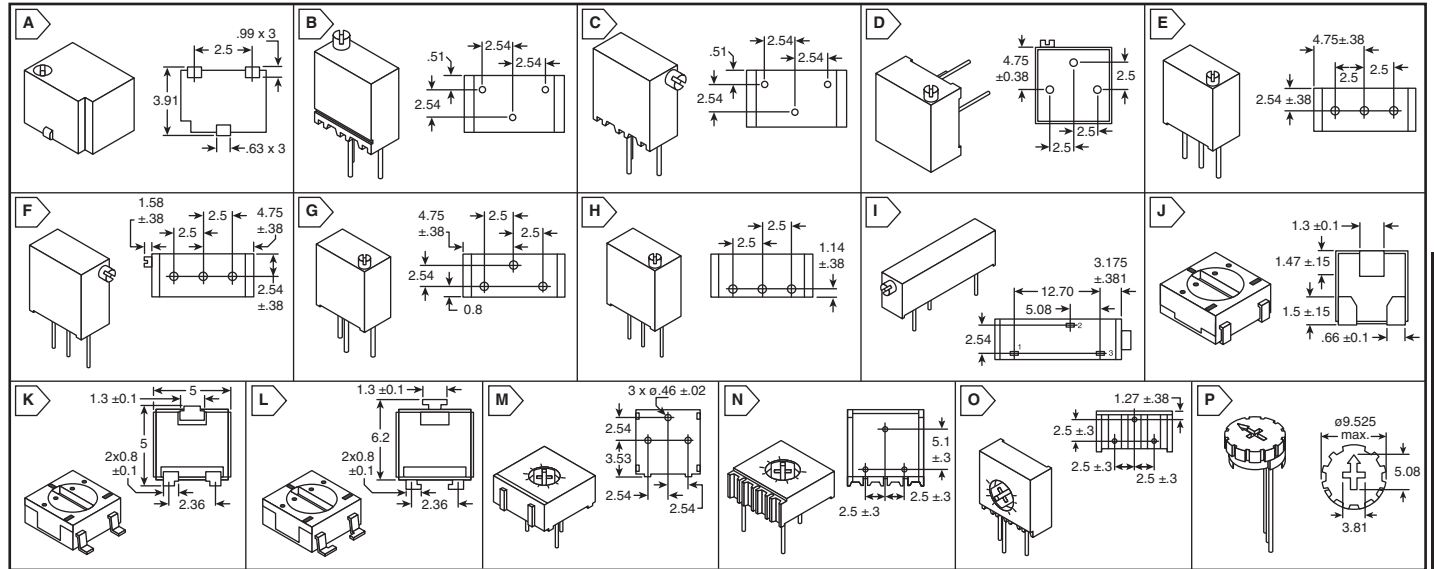


# BI TECHNOLOGIES Multi / Single Turn Trimmers & Pots **BI technologies** CORPORATION

DIMENSIONS: mm



Multi-Turn Trimmers

BI Technologies

## BI technologies MULTI-TURN SURFACE MOUNT CERMET TRIMMER

4mm Model 44 RoHS Compliant

- Actual electrical travel, turns, nominal: 9
- Operating temperature: -65°C to +150°C
- Power rating: 0.25W
- Tolerance: 10%

MOUSER STOCK NO.	Fig.	Values (Ω)	Price Each			
			1	25	50	100
<b>858-44WR-VALUE-LF</b>	A	10, 20, 50, 100, 200, 500, 1K, 2K, 5K, 10K, 20K, 25K, 50K, 100K, 200K, 250K, 500K, 1M, 2M	4.28	3.57	3.06	2.68

## BI technologies SINGLE-TURN SURFACE MOUNT CERMET TRIMMER

3mm Model 22 RoHS Compliant

- Actual electrical travel, nominal: 220°
- Mechanical stops: solid
- Power rating: 125W
- Tolerance: 20%
- Operating temperature: -55°C to +125°C

MOUSER STOCK NO.	Fig.	Values (Ω)	Price Each			
			1	25	50	100
<b>858-22AR-VALUE-LFTR</b>	J	10, 50, 100, 200, 500, 1K, 2K, 5K, 10K, 20K, 50K, 100K, 200K, 500K, 1M, 2M	1.64	1.37	1.17	1.03

## BI technologies MULTI-TURN THRU-HOLE CERMET TRIMMER

1/4" Sq. Model 64 RoHS Compliant

- Actual electrical travel, turns, nominal: 12
- Mechanical stops: clutch action, both ends
- Power rating: .25W
- Operating temperature: -65° to +150°C
- Tolerance: 10%

MOUSER STOCK NO.	Fig.	Values (Ω)	Price Each			
			1	25	50	100
<b>858-64WR-VALUE-LF</b>	B	10, 20, 50, 100, 200, 500, 1K, 2K, 5K, 10K, 20K, 25K, 50K, 100K, 200K, 250K, 500K, 1M	5.08	4.23	3.63	3.18
<b>858-64XR-VALUE-LF</b>	C	2K, 5K, 10K, 20K, 25K, 50K, 100K, 200K, 250K, 500K, 1M	5.08	4.23	3.63	3.18

## BI technologies SINGLE-TURN THRU-HOLE CERMET TRIMMER

4mm Sq. Model 23 RoHS Compliant

- Actual electrical travel, nominal: 210°
- Mechanical stops: solid
- Power rating: 0.25W
- Tolerance: 20%
- Operating temperature: -55°C to +125°C

MOUSER STOCK NO.	Fig.	Values (Ω)	Price Each			
			1	25	50	100
<b>858-23AR-VALUE-LFTR</b>	K	10, 50, 100, 200, 500, 1K, 2K, 5K, 10K, 20K, 50K, 100K, 200K, 500K, 1M, 2M	1.64	1.37	1.17	1.03
<b>858-23BR-VALUE-LFTR</b>	L	100K, 200K, 500K, 1M, 2M	1.64	1.37	1.17	1.03

## BI technologies SINGLE-TURN THRU-HOLE CERMET TRIMMER

3/8" Sq. Model 67 RoHS Compliant

- Actual electrical travel, nominal: 210°
- Mechanical stops: solid
- Power rating: 0.50W
- Tolerance: 10%
- Operating temperature: -55°C to +125°C

MOUSER STOCK NO.	Fig.	Values (Ω)	Price Each			
			1	25	50	100
<b>858-67PR-VALUE-LF</b>	D	10, 20, 50, 100, 200, 500, 1K, 2K, 5K, 10K, 20K, 25K, 50K, 100K, 200K, 250K, 500K, 1M, 2M	2.41	2.01	1.72	1.51
<b>858-67WR-VALUE-LF</b>	E	2K, 5K, 10K, 20K, 25K, 50K, 100K, 200K, 250K, 500K, 1M, 2M	3.24	2.70	2.31	2.03
<b>858-67XR-VALUE-LF</b>	F	100K, 200K, 250K, 500K, 1M, 2M	2.41	2.01	1.72	1.51
<b>858-67YR-VALUE-LF</b>	G	1M, 2M	2.41	2.01	1.72	1.51

## BI technologies SINGLE-TURN THRU-HOLE CERMET TRIMMER

1/4" Sq. Model 25 RoHS Compliant

- Actual electrical travel, nominal: 210°
- Mechanical stops: solid
- Power rating: 0.50W
- Tolerance: 10%
- Operating temperature: -55°C to +125°C

MOUSER STOCK NO.	Fig.	Values (Ω)	Price Each			
			1	25	50	100
<b>858-25PR-VALUE-LF</b>	M	10, 20, 50, 100, 200, 500, 1K, 2K, 5K, 10K, 20K, 50K, 100K, 200K, 500K, 1M, 2M	1.24	1.03	.89	.78

## BI technologies SINGLE-TURN THRU-HOLE CERMET TRIMMER

3/8" Sq. Model 68 RoHS Compliant

- Actual electrical travel, nominal: 244°
- Mechanical stops: solid
- Power rating: 0.50W
- Tolerance: 10%
- Operating temperature: -55°C to +125°C

MOUSER STOCK NO.	Fig.	Values (Ω)	Price Each			
			1	25	50	100
<b>858-68WR-VALUE-LF</b>	H	10, 20, 50, 100, 200, 500, 1K, 2K, 5K, 10K, 20K, 25K, 50K, 100K, 200K, 250K, 500K, 1M, 2M	3.68	3.07	2.63	2.30

## BI technologies SINGLE-TURN THRU-HOLE CERMET TRIMMER

3/8" Sq. Model 72 RoHS Compliant

- Actual electrical travel, nominal: 174°
- Mechanical stops: solid
- Power rating: 0.50W
- Tolerance: 20%
- Operating temperature: -55°C to +125°C

MOUSER STOCK NO.	Fig.	Values (Ω)	Price Each			
			1	25	50	100
<b>858-72PMR-VALUE-LF</b>	N	10, 20, 50, 100, 200, 500, 1K, 2K, 5K, 10K, 20K, 25K, 50K, 100K, 200K, 250K, 500K, 1M, 2M	1.80	1.50	1.29	1.13
<b>858-72PR-VALUE-LF</b>	N	5K, 10K, 20K, 25K, 50K, 100K, 200K, 250K, 500K, 1M, 2M	1.80	1.50	1.29	1.13
<b>858-72XR-VALUE-LF</b>	O	200K, 250K, 500K, 1M, 2M	1.80	1.50	1.29	1.13

## BI technologies SINGLE-TURN THRU-HOLE CERMET TRIMMER

3/4" Rectangular Model 89 RoHS Compliant

- Actual electrical travel, nominal: 174°
- Mechanical stops: solid
- Power rating: 0.75W
- Tolerance: 20%
- Operating temperature: -55°C to +125°C

MOUSER STOCK NO.	Fig.	Values (Ω)	Price Each			
			1	25	50	100
<b>858-89PR-VALUE-LF</b>	I	10, 20, 50, 100, 200, 500, 1K, 2K, 5K, 10K, 20K, 25K, 50K, 100K, 200K, 250K, 500K, 1M, 2M	2.28	1.90	1.63	1.43

## BI technologies PRECISION POTENTIOMETERS

7/8" 10-Turn Wirewound RoHS Compliant

- Operating Temperature: 125°C max.
- Power Rating: 2W
- Tolerance: 5%

MOUSER STOCK NO.	Fig.	Values (Ω)	Price Each		
			1	5	10
<b>858-7286RVALUELF</b>	A	100, 200, 500, 1K, 2K, 5K, 10K, 20K, 50K, 100K	23.80	20.40	17.85

## BI technologies PRECISION POTENTIOMETERS

1-13/16" 10-Turn Wirewound RoHS Compliant

- Operating Temperature: 85°C max.
- Power Rating: 5W
- Tolerance: 5%

MOUSER STOCK NO.	Fig.	Values (Ω)	Price Each		
			1	5	10
<b>858-AR-VALUE</b>	B	10, 25, 50, 100, 200, 500, 1K, 2K, 5K, 10K, 20K, 50K, 100K, 200K, 300K, 500K	56.54	54.45	43.98

## BI technologies PRECISION POTENTIOMETERS

Turns Counting Dials RoHS Compliant

MOUSER STOCK NO.	Fig.	Finish	Turns	Price Each		
				1	5	10
<b>858-2606</b>	C	Satin Chrome	20	26.25	24.17	22.41
<b>858-RB</b>	D	Satin Chrome	15	44.94	36.58	33.47

