

# FUJITSU LCD Touch Panels and Accessories



Products may be RoHS compliant.  
Check mouser.com for RoHS status.

## FUJITSU TOUCH PANELS

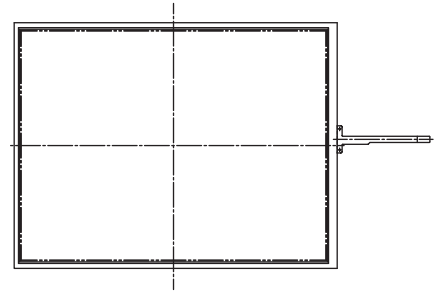
### Features:

- Superior long life using a unique construction method offering improved life over typical technologies; by sensing data input only on the glass layer typically a 10x improvement in product life is achieved.
- Excellent specification and high quality
- Anti-Newton ring technology
- High reliability materials
- 1.1mm glass with AG topcoat



RoHS Compliant

MOUSER STOCK NO.	Fujitsu Part No.	Fits LCD Size (IN)	Style	Transparency	Price Each			
					1	25	50	100
<b>7-Wire Series</b>								
817-N010-0510-T219	N010-0510-T219	15	Pen & Finger	86%	142.62	134.16	126.03	Call For Quote
817-N010-0550-T717	N010-0550-T717	12.1	Pen & Finger	80%	68.67	64.15	59.35	
817-N010-0550-T613	N010-0550-T613	10.4	Pen & Finger	80%	54.25	50.98	47.25	
<b>4-Wire Series</b>								
817-N010-0554-T805	N010-0554-T805	12.1	Pen & Finger	80%	60.69	57.20	52.82	Call For Quote
817-N010-0554-T347	N010-0554-T347	10.4	Pen & Finger	80%	53.57	45.99	42.47	
817-N010-0519-T742	N010-0519-T742	8.4	Pen & Finger	86%	45.55	43.38	41.41	
817-N010-0554-T504	N010-0554-T504	8.4	Pen & Finger	80%	35.34	33.42	30.87	
817-N010-0554-T048	N010-0554-T048	6.4	Pen & Finger	86%	29.92	27.46	25.46	
817-N010-0554-T043	N010-0554-T043	6.4	Pen & Finger	80%	21.90	20.63	19.05	
817-N010-0554-T009	N010-0554-T009	5.7	Pen & Finger	80%	18.57	17.49	16.15	
817-N010-0554-T703	N010-0554-T703	3.8	Pen & Finger	80%	10.95	10.32	9.53	



## FUJITSU RESISTIVE TOUCH PANEL CONTROLLER ICs

### Features:

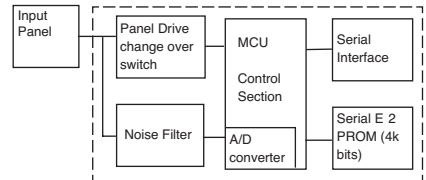
- High quality and reliability touch panel controller
- Serial Interface (RS-232)
- Used to control the 7-Wire resistive touch panels
- 64 pin PQFP MCU with masked ROM



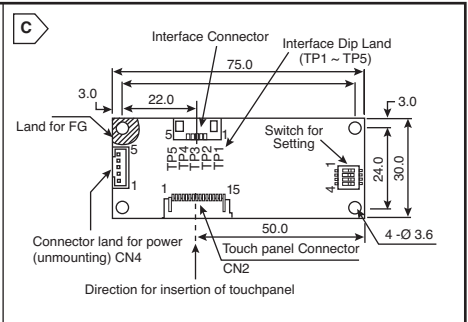
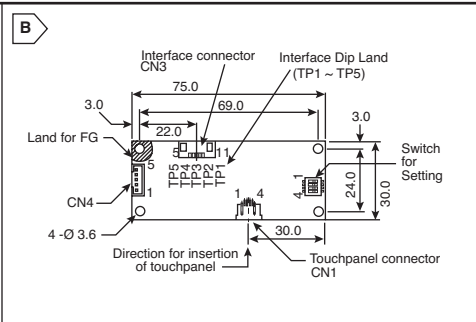
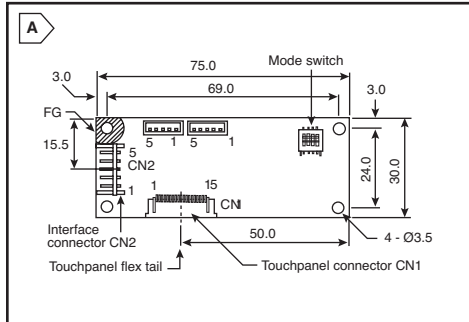
RoHS Compliant

For quantities of 250 and up, call for quote.

MOUSER STOCK NO.	Fujitsu Part No.	Size	Style	Price Each			
				1	25	50	100
<b>7-Wire Series</b>							
817-N010-0559-V026	N010-0559-V026	Serial RS-232 Microcontroller	Plug & play	8.82	8.31	7.67	7.14
817-NC41120-0017	NC41120-0017	USB Microcontroller	-	8.82	8.31	7.67	7.14
<b>4-Wire Series</b>							
817-NC41120-0018	NC41120-0018	USB Microcontroller	-	11.72	11.10	10.32	9.68
817-N010-0559-V036	N010-0559-V036	Serial RS-232 Microcontroller	Plug & play	10.72	10.10	9.32	8.68



## FUJITSU RESISTIVE TOUCH PANEL CONTROLLER BOARDS



### Features:

- Small footprint PCB
- Supports all major OS types with Fujitsu Driver software
- A complete solution for quick prototype to production use or as a design tool to speed up application and compatibility testing

### Main Applications:

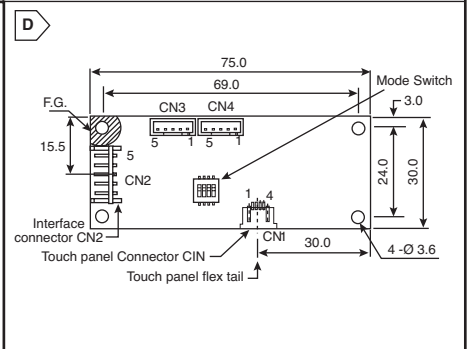
- For use with any of the Fujitsu Resistive Touch Panels
- Point of Sale devices
- Access terminals
- Monitoring Systems and Data input terminals



RoHS Compliant

For quantities of 250 and up, call for quote.

MOUSER STOCK NO.	Fujitsu Part No.	Fig.	Size	Price Each			
				1	25	50	100
<b>7-Wire Series</b>							
817-N16B-0558-B280	N16B-0558-B280	A	Serial RS-232 Interface board	28.57	26.91	24.85	23.14
817-N16B-0558-B740	N16B-0558-B740	B	USB 1.1 Interface board	28.57	26.91	24.85	23.14
<b>4-Wire Series</b>							
817-N16B-0558-B270	N16B-0558-B270	C	Serial RS-232 Interface board	23.57	22.20	20.50	19.09
817-N16B-0558-B730	N16B-0558-B730	D	USB 1.1 Interface board	23.57	22.20	20.50	19.09



## FUJITSU RESISTIVE TOUCH PANEL CONTROLLER BOARD CABLES



RoHS Compliant

For quantities of 250 and up, call for quote.

MOUSER STOCK NO.	Fujitsu Part No.	Size	Price Each			
			1	25	50	100
817-CABLE-RS232	CABLE/RTP/RS232	Serial Cable for -B230, -B240	11.95	11.49	11.03	10.27
817-CABLE-USB	CABLE/RTP/USB	USB cable for -B710, -B720	17.33	16.49	16.01	14.90

## FUJITSU RESISTIVE TOUCH PANEL STYLUS

MOUSER STOCK NO.	Fujitsu Part No.	Size	Price Each
817-N010-0557-T002	N010-0557-T002	Stylus for Touch panel	9.77