

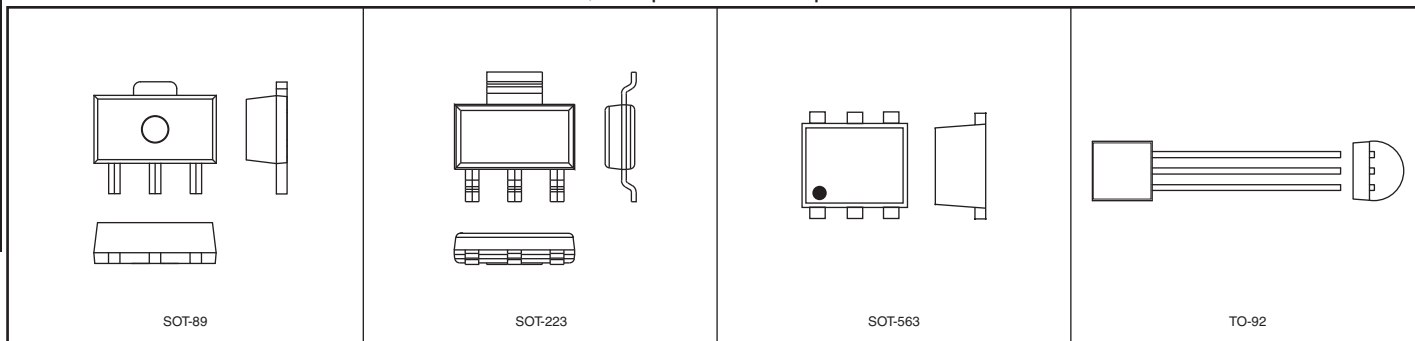
LITTELFUSE Arrays, Triacs, and SCRs



RoHS Compliant This product is RoHS compliant.

Thyristors

Littelfuse



SENSITIVE TRIACS

L01 EV Series, 1A

Features:

- Blocking voltage capability: up to 800V
- Surge Capability: >10Amps
- Static dv/dt >20 Volts/μsec
- Thru hole and surface mount packages
- ROHS compliant



RoHS Compliant

For quantities of 250 and up, call for quote.

MOUSER STOCK NO.	Littelfuse Part No.	Package	Voltage (V)	I _{gt} (mA)	V _{gt}	I _h (mA)	dv/dt V/μs	(dv/dt) _c V/μs	T _{gt} μs	Price Each		
										1	10	100
576-L0103MERP	L0103MERP	TO-92	600	3-5	1.3	7	10	0.5	2	.25	.24	.23
576-L0103MTRP	L0103MTRP	SOT-223	600	3-5	1.3	7	10	0.5	2	.44	.39	.325
576-L0103NERP	L0103NERP	TO-92	800	3-5	1.3	7	10	0.5	2	.27	.26	.25
576-L0103NTRP	L0103NTRP	SOT-223	800	3-5	1.3	7	10	0.5	2	.48	.42	.35
576-L0107MERP	L0107MERP	TO-92	600	5-7	1.3	10	20	1	2	.25	.24	.23
576-L0107MTRP	L0107MTRP	SOT-223	600	5-7	1.3	10	20	1	2	.44	.39	.325
576-L0107NERP	L0107NERP	TO-92	800	5-7	1.3	10	20	1	2	.27	.26	.25
576-L0107NTRP	L0107NTRP	SOT-223	800	5-7	1.3	10	20	1	2	.48	.42	.35
576-L0109MERP	L0109MERP	TO-92	600	10	1.3	10	50	2	2	.25	.24	.23
576-L0109MTRP	L0109MTRP	SOT-223	600	10	1.3	10	50	2	2	.44	.39	.325
576-L0109NERP	L0109NERP	TO-92	800	10	1.3	10	50	2	2	.27	.26	.25
576-L0109NTRP	L0109NTRP	SOT-223	800	10	1.3	10	50	2	2	.48	.42	.35

LX8 EV Series, 0.8A

Features:

- Blocking voltage capability: up to 600V
- Surge Capability: >9.5Amps
- Static dv/dt >10 Volts/μsec
- Thru hole and surface mount packages
- ROHS compliant



RoHS Compliant

For quantities of 250 and up, call for quote.

MOUSER STOCK NO.	Littelfuse Part No.	Package	Voltage (V)	I _{gt} (mA)	V _{gt}	I _h (mA)	dv/dt V/μs	(dv/dt) _c V/μs	T _{gt} μs	Price Each		
										1	10	100
576-LX803MERP	LX803MERP	TO-92	600	3-5	1.3	5	10	1.5	2	.23	.22	.21
576-LX803MTRP	LX803MTRP	SOT-223	600	3-5	1.3	5	10	1.5	2	.78	.63	.312
576-LX807DERP	LX807DERP	TO-92	400	5-7	1.3	5	10	1.5	2	.21	.20	.19
576-LX807DTRP	LX807DTRP	SOT-223	400	5-7	1.3	5	10	1.5	2	.25	.24	.23
576-LX807MERP	LX807MERP	TO-92	600	5-7	1.3	5	10	1.5	2	.23	.22	.21
576-LX807MTRP	LX807MTRP	SOT-223	600	5-7	1.3	5	10	1.5	2	.41	.36	.312

SENSITIVE SCRS

Sx02xS EV Series, 1.5A

Features:

- Blocking voltage capability: up to 600V
- Surge Capability: >15Amps
- High dv/dt noise immunity
- Improved turn-off time (T_q): <35μsec.
- Thru hole and surface mount packages
- ROHS compliant



RoHS Compliant

For quantities of 250 and up, call for quote.

MOUSER STOCK NO.	Littelfuse Part No.	Package	Voltage (V)	Gate Sensitivity	V _{gt}	I _h (mA)	(dv/dt) _s V/μs	T _q μs	T _{gt} μs	Price Each		
										1	10	100
576-S402ESRP	S402ESRP	TO-92	400	200μa	0.8	5	25	35	3	.32	.30	.28
576-S602ESRP	S602ESRP	TO-92	600	200μa	0.8	5	25	35	3	.34	.32	.30
576-S602TSRP	S602TSRP	SOT-223	600	200μa	0.8	5	25	35	3	.57	.50	.425

SxX8xSx EV Series, 0.8A

Features:

- Blocking voltage capability: up to 800V
- Surge Capability: >10Amps
- High dv/dt noise immunity
- Sensitive gate or direct microprocessor interface
- Thru hole and surface mount packages
- ROHS compliant



RoHS Compliant

For quantities of 250 and up, call for quote.

576-S6X8BSRP	S6X8BSRP	SOT-89	600	200μa	0.8	5	75	25	2	.32	.30	.28
576-S6X8ES1RP	S6X8ES1RP	TO-92	600	5μa	0.8	5	75	30	2	.23	.22	.21
576-S6X8ES2RP	S6X8ES2RP	TO-92	600	50μa	0.8	5	75	25	2	.23	.22	.21
576-S4X8ES	S4X8ES	TO-92	400	200μa	0.8	5	75	25	2	.21	.20	.19
576-S4X8ESAP	S4X8ESAP	TO-92	400	200μa	0.8	5	75	25	2	.21	.20	.19
576-S4X8ESRP	S4X8ESRP	TO-92	400	200μa	0.8	5	75	25	2	.21	.20	.19
576-S6X8ES	S6X8ES	TO-92	600	200μa	0.8	5	75	25	2	.23	.22	.21
576-S6X8ESRP	S6X8ESRP	TO-92	600	200μa	0.8	5	75	25	2	.23	.22	.21
576-S6X8TS1RP	S6X8TS1RP	SOT-223	600	5μa	0.8	5	75	30	2	.27	.26	.24
576-S6X8TS2RP	S6X8TS2RP	SOT-223	600	50μa	0.8	5	75	25	2	.27	.26	.24
576-S6X8TSRP	S6X8TSRP	SOT-223	600	200μa	0.8	5	75	25	2	.27	.26	.24
576-S8X8ES1RP	S8X8ES1RP	TO-92	800	5μa	0.8	5	75	30	2	.27	.26	.24
576-S8X8ES2RP	S8X8ES2RP	TO-92	800	50μa	0.8	5	75	25	2	.27	.26	.25
576-S8X8ESRP	S8X8ESRP	TO-92	800	200μa	0.8	5	75	25	2	.27	.26	.24
576-S8X8TS1RP	S8X8TS1RP	SOT-223	800	5μa	0.8	5	75	30	2	.32	.30	.28
576-S8X8TS2RP	S8X8TS2RP	SOT-223	800	50μa	0.8	5	75	25	2	.32	.30	.28
576-S8X8TSRP	S8X8TSRP	SOT-223	800	200μa	0.8	5	75	25	2	.32	.30	.28