

# ON SEMICONDUCTOR Transistors

ON Semiconductor®

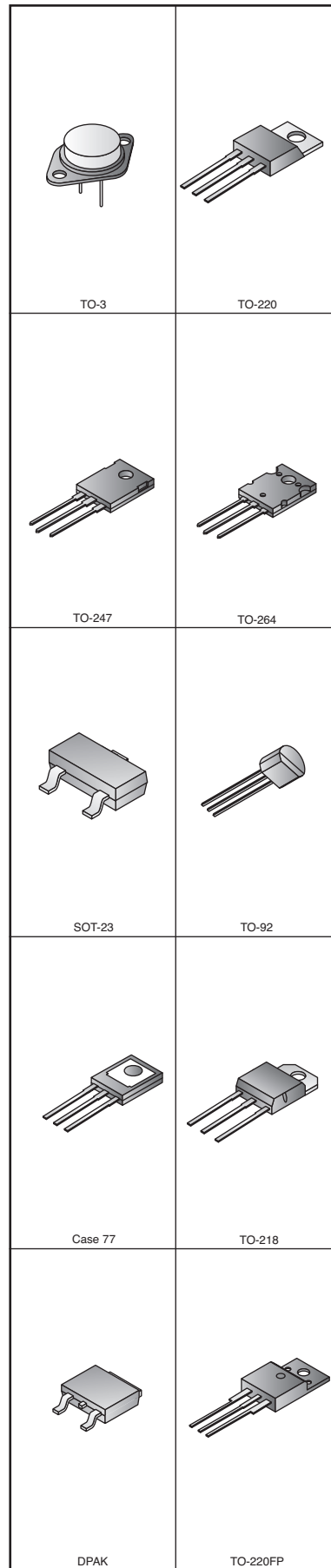


This product is RoHS compliant.

## ON SEMICONDUCTOR AUDIO BIPOLAR TRANSISTORS (CONT.)

For quantities of 1000 and up, call for quote.

MOUSER STOCK NO.	ON Semi Part No.	Package	VCEO Min (V)	IC Max (A)	hFE Min	hFE Max	Price Each			
							1	25	100	500
<b>PNP</b>										
863-MJ15004G	MJ15004G	TO-3	140	20	25	150	3.29	3.00	2.05	1.85
863-MJ21195G	MJ21195G	TO-3	250	16	25	75	3.29	2.90	2.05	1.96
863-MJE15035G	MJE15035G	TO-220	350	4	100	-	1.05	.894	.735	.63
863-MJE15029G	MJE15029G	TO-220	120	8	40	-	.89	.807	.742	.547
863-MJ15016G	MJ15016G	TO-3	120	15	20	70	2.45	2.10	1.71	1.43
863-MJE15031G	MJE15031G	TO-220	150	8	40	-	.99	.763	.687	.547
863-MJ15023G	MJ15023G	TO-3	200	16	15	60	3.63	3.15	2.44	2.26
863-MJW1302AG	MJW1302AG	TO-247	230	15	50	200	3.07	2.55	1.64	1.59
863-MJ15025G	MJ15025G	TO-3	250	16	15	60	3.63	3.15	2.44	2.26
863-MJ21193G	MJ21193G	TO-3	250	16	25	75	3.63	3.15	2.44	2.26
863-MJL21193G	MJL21193G	TO-264	250	16	25	75	4.23	3.40	2.70	2.42
863-MJW21193G	MJW21193G	TO-247	250	16	20	70	3.64	2.98	2.32	2.17
863-MJL1302AG	MJL1302AG	TO-264	260	15	75	150	2.83	2.39	1.80	1.68
863-MJE15035G	MJE15035G	TO-220	350	4	100	-	1.05	.894	.735	.63
863-MJL4302AG	MJL4302AG	TO-264	350	15	80	250	5.25	4.80	3.50	3.18



Transistors

ON Semiconductors

## ON SEMICONDUCTOR DARLINGTON BIPOLAR TRANSISTORS

For quantities of 1000 and up, call for quote.

MOUSER STOCK NO.	ON Semi Part No.	Package	VCEO Min (V)	IC Max (A)	hFE Min	hFE Max	Price Each			
							1	25	100	500
<b>NPN</b>										
863-MMBTA13LT1G	MMBTA13LT1G	SOT-23	30	0.3	10	-	.08	.072	.047	.038
863-MMBTA14LT1G	MMBTA14LT1G	SOT-23	30	0.3	20	-	.08	.073	.047	.038
863-MPSA13RLRAG	MPSA13RLRAG	TO-92	30	0.5	10	-	.17	.105	.08	.056
863-MPSA14RLRAG	MPSA14RLRAG	TO-92	30	0.5	20	-	.17	.126	.08	.057
863-MMBT6427LT1G	MMBT6427LT1G	SOT-23	40	0.5	20	200	.13	.095	.073	.052
863-MPSA27RLRAG	MPSA27RLRAG	TO-92	60	0.5	10	-	.16	.086	.08	.057
863-TIP110G	TIP110G	TO-220	60	2	0.5	-	.71	.652	.458	.368
863-MJE800G	MJE800G	Case 77	60	4	0.75	-	.52	.439	.337	.271
863-TIP120G	TIP120G	TO-220	60	5	1	-	.46	.416	.349	.281
863-2N6043G	2N6043G	TO-220	60	8	0.001	20	.75	.61	.515	.388
863-TIP140G	TIP140G	TO-218	60	10	0.5	-	1.44	1.34	1.00	.782
863-2N6039G	2N6039G	Case 77	80	4	0.75	15	.59	.525	.41	.31
863-MJE802G	MJE802G	Case 77	80	4	-	-	.51	.41	.337	.271
863-TIP121G	TIP121G	TO-220	80	5	1	-	.49	.441	.349	.281
863-TIP101G	TIP101G	TO-220	80	8	1	20	.63	.566	.515	.438
863-2N6388G	2N6388Gs	TO-220	80	10	1	20	.81	.782	.563	.418
863-MJD112G	MJD112G	DPAK	100	2	12000	25	.45	.41	.309	.245
863-MJF6388G	MJF6388G	TO-220 FP	100	10	15000	20	1.23	1.17	1.00	.739
863-MPSA29RLRPG	MPSA29RLRPG	TO-92	100	0.5	10	-	.17	.114	.08	.057
863-TIP112G	TIP112G	TO-220	100	2	0.5	-	.72	.649	.458	.368
863-TIP117G	TIP117G	TO-220	100	2	0.5	-	.71	.661	.458	.368
863-TIP122G	TIP122G	TO-220	100	5	1	-	.49	.439	.339	.269
863-MJF122G	MJF122G	TO-220 FP	100	5	-	-	.81	.782	.528	.418
863-2N6045G	2N6045G	TO-220	100	8	1	20	.75	.61	.513	.388
863-MJD122G	MJD122G	DPAK	100	8	1	12	.48	.42	.309	.245
863-TIP102G	TIP102G	TO-220	100	8	1	20	.79	.639	.506	.407
863-MJF6388G	MJF6388G	TO-220 FP	100	10	3	15	1.23	1.17	1.00	.739
863-TIP142G	TIP142G	TO-218	100	10	0.5	-	1.37	1.22	.965	.827
863-MJH6284G	MJH6284G	TO-218	100	20	-	18	3.20	3.03	2.20	1.90
863-MJ11032G	MJ11032G	TO-3	120	50	-	-	5.46	4.62	3.67	3.51
863-MJH11020G	MJH11020G	TO-218	200	15	-	15	3.28	2.99	2.09	1.94
863-MJH11022G	MJH11022G	TO-218	250	15	-	15	3.00	2.65	2.14	1.78
863-MJE5742G	MJE5742G	TO-220	400	8	-	-	1.33	1.11	.936	.802
<b>PNP</b>										
863-2N6052G	2N6052G	TO-3	100	12000	0.75	18	3.40	3.00	2.17	2.03
863-2N6286G	2N6286G	TO-3	80	20000	0.75	18	3.40	2.93	2.17	2.03
863-MJ11015G	MJ11015G	TO-3	120	30000	1	-	3.20	2.68	2.17	2.03
863-MJ11021G	MJ11021G	TO-3	250	30000	0.4	15	6.04	5.03	4.03	3.74
863-MJD117T4G	MJD117T4G	DPAK	100	2000	1	12	.46	.41	.309	.245
863-MMBTA63LT1G	MMBTA63LT1G	SOT-23	30	0.5	10	-	.09	.076	.047	.038
863-MMBTA64LT1G	MMBTA64LT1G	SOT-23	30	0.5	20	-	.08	.076	.047	.038
863-MJE700G	MJE700G	Case 77	60	4	-	-	.52	.475	.337	.271
863-TIP125G	TIP125G	TO-220	60	5	1	-	.63	.56	.483	.388
863-2N6040G	2N6040G	TO-220	60	8	1	20	.76	.668	.496	.40
863-2N6667G	2N6667G	TO-220	60	10	1	20	.91	.62	.565	.47
863-2N6036G	2N6036G	Case 77	80	4	0.75	15	.60	.525	.385	.31